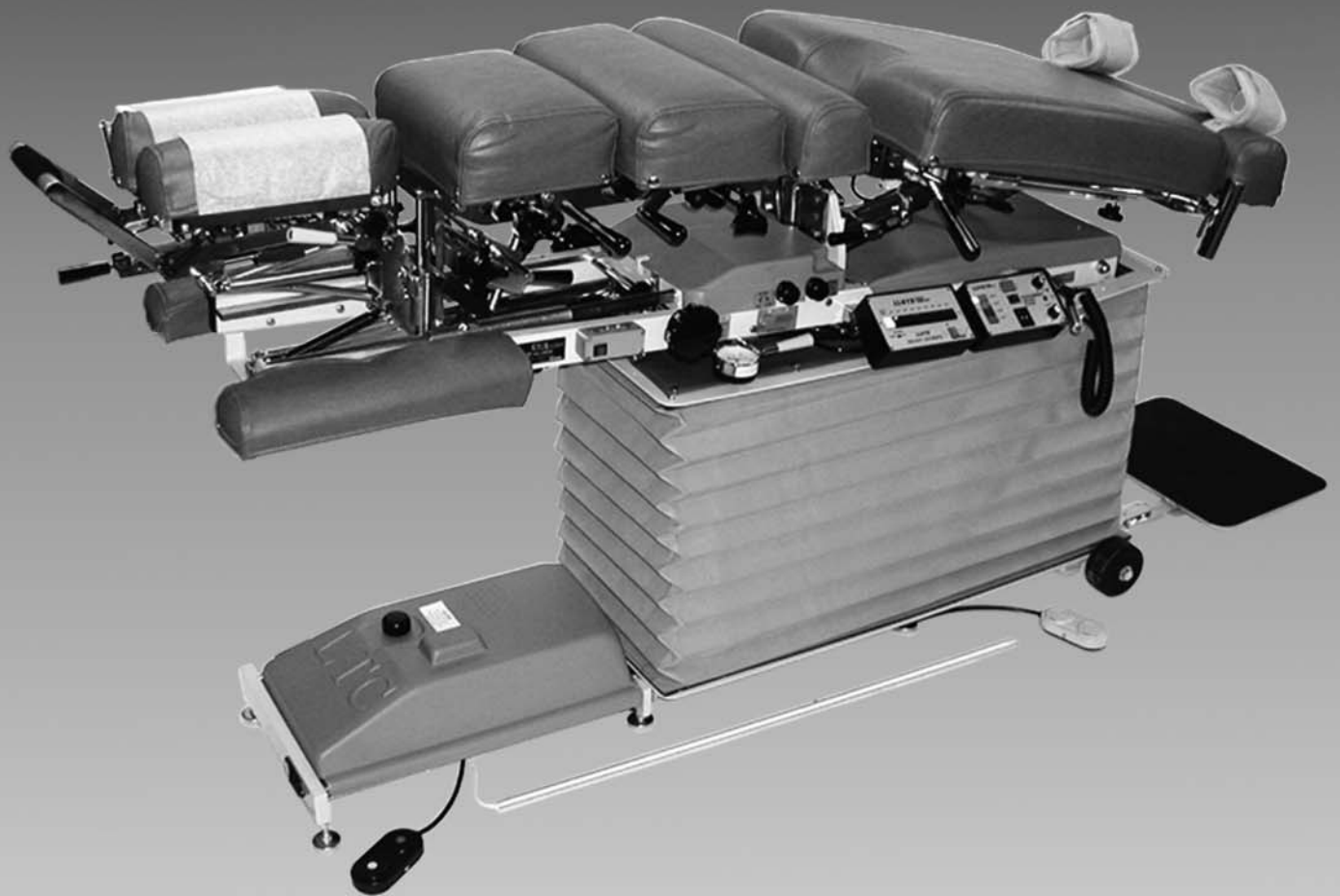


LLOYD GALAXY ULTIMATE OPERATION MANUAL



LLOYD TABLE COMPANY

102-122 W. MAIN STREET, LISBON, IA. 52253

PHONE: 319-455-2110 FAX: 319-455-2166

TOLL FREE: 1-800-553-7297

WEBSITE: www.lloydtable.com

EMAIL: sales@lloydtable.com



**PLEASE INQUIRE ABOUT OTHER
LLOYD TABLE COMPANY PRODUCTS &
ACCESSORIES AT 1-800-553-7297**



LLOYD



**TABLE
COMPANY**



102-122 W. Main Street • Lisbon, Iowa 52253-0899 • Phone 319-455-2110
Call Toll Free 1-800-553-7297 FAX: 319-455-2166

www.lloydtable.com

CONTENTS

| <u>OPERATIONS</u> | <u>PAGE</u> | <u>PARTS / ASSEMBLY</u> | <u>PAGE</u> |
|------------------------------------------|-------------|--------------------------------------|-------------|
| Safety and Maintenance..... | 1 - 2 | Chest Cushion Assembly..... | 31 - 32 |
| Head Rest Cushion..... | 3 - 7 | T-Pelvic Cushion (Non-Rotation)..... | 33 |
| Chest Cushion..... | 8 | Telescoping T-Bar..... | 34 |
| Manual & Automatic Drops..... | 9 - 11 | Ankle Rest Adjustable Height..... | 35 |
| Head & Chest Extension / Retraction..... | 11 | Cover & Bellows..... | 36 |
| Pelvic Cushion - Flexion..... | 12 - 16 | Hydraulics..... | 37-39 |
| Pelvic Lateral Side Bending..... | 16 | Manintenance Schedual..... | 40 |
| Pelvic Rotation & Telescoping T-Bar..... | 17 | Electrical Assembly..... | 41 - 42 |
| Ankle Rest & Lumbar Extension..... | 18 | Straight Drop Head..... | 43 - 44 |
| Control / Indicator Box..... | 19 - 20 | Forward Motion Drop Head..... | 45 - 46 |
| Tilt Safeguard..... | 20 | Flexion Head Cushion Assembly..... | 47 - 48 |
| Foot Pedal Control..... | 21 | Flexion Head - Shuttle Assembly..... | 49 - 50 |
| Master Power Switch & Fuse..... | 21 | Flexion Head - Slide Frame..... | 51 - 52 |
| Height Select Panel..... | 22 | Flexion Head Rotation Block..... | 53 - 54 |
| <u>PARTS / ASSEMBLY</u> | <u>PAGE</u> | T -Drop Chest Ass'y..... | 55 - 56 |
| Tilt Frame..... | 23 - 24 | Drop Chest & Lumbar..... | 57 - 58 |
| Scissor Frame..... | 25 | Rotation Chest Frame Assembly..... | 59 - 60 |
| Base Frame..... | 26 | Rotation Chest Cushion Assembly..... | 61 - 62 |
| Deluxe Head Frame..... | 27 | T -Drop Pelvic (Non Rotation)..... | 63 - 64 |
| Deluxe Head Cushions..... | 28 | T -Drp Pelvic (Rotation)..... | 65 - 66 |
| Deluxe Head I-Frame..... | 29-30 | Hydraulics - Auto Drops..... | 67 - 68 |
| | | Electronic Diagrams..... | 69 - 73 |

Table Serial Number _____

WELCOME!!

Lloyd Table Company, a proud supporter of today's chiropractors, has established the finest line of chiropractic tables in the world. Table products unique in versatility and function, designed to meet your needs.



Concerned for a safe working and treatment environment, Lloyd Table Company asks that you follow the safety tips below.

- * Be aware of Caution and Warning labels posted throughout the table before operating any functions.
 - * Everyone operating the table needs to read the manual and familiarize themselves with all its functions before operating table with patient on it.
 - * The McManis pelvic operation is only to be operated by a professional practitioner, educated in the procedure of the flexion distraction and traction on the lower back and spine.
 - * A patient should never be unattended, when lying on the table. **NEVER LEAVE A PATIENT ON THE TABLE UNATTENDED!**
- Secure the pelvic cushion into all lock positions before allowing patient on or off the table.
(See pages __ to lock pelvic rotation, pelvic flexion, and pelvic side bending)
- * The patient should be positioned at or near the center of the table with arms on the armrest cushions.
 - * There should be no more than one operator at the controls.
 - * The pressure gauge reading should never exceed 800 PSI or drop below 300 PSI
 - * Check the tension on all drops before adjusting the patient. (See Page 9)



MAINTENANCE

The following steps should be performed on a regular basis to maintain your Lloyd table in a smooth operating condition and to assure its long life and top quality appearance.

- * An initial inspection and periodic future inspections should be made to insure that nuts and bolts have not loosened in shipping or during daily operations.
- * Your Lloyd table should be lubricated every six months. Parts to be lubricated are all frame pivot points (diagram #1), and metal to metal sliding mechanisms. (DO NOT LUBRICATE FRICTION LOCKS)
- * The cushions should be cleaned daily with a mild soap & warm water solution to remove body oils. Rinsed & dried. DO NOT USE VINYL CLEANERS TO CLEAN CUSHIONS!!
- * Chrome parts should be cleaned on a weekly basis for appearance.
- * The hydraulic fluid recommended for the pump, is a lubriplate HO1 or hydraulic jack oil, and should be checked on a yearly basis.
- * Perform periodic inspections for oil leaks or drips.
- * The fluid level in the pump's reservoir tank should measure 1-3/4 of an inch from full. This measurement is taken when the pelvic cushion is in the down position, the pressure gauge is released back to zero, table is in lowest elevated position and fully shortened or retracted.

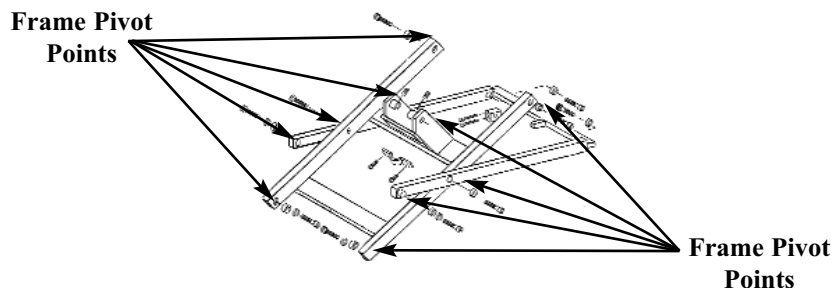


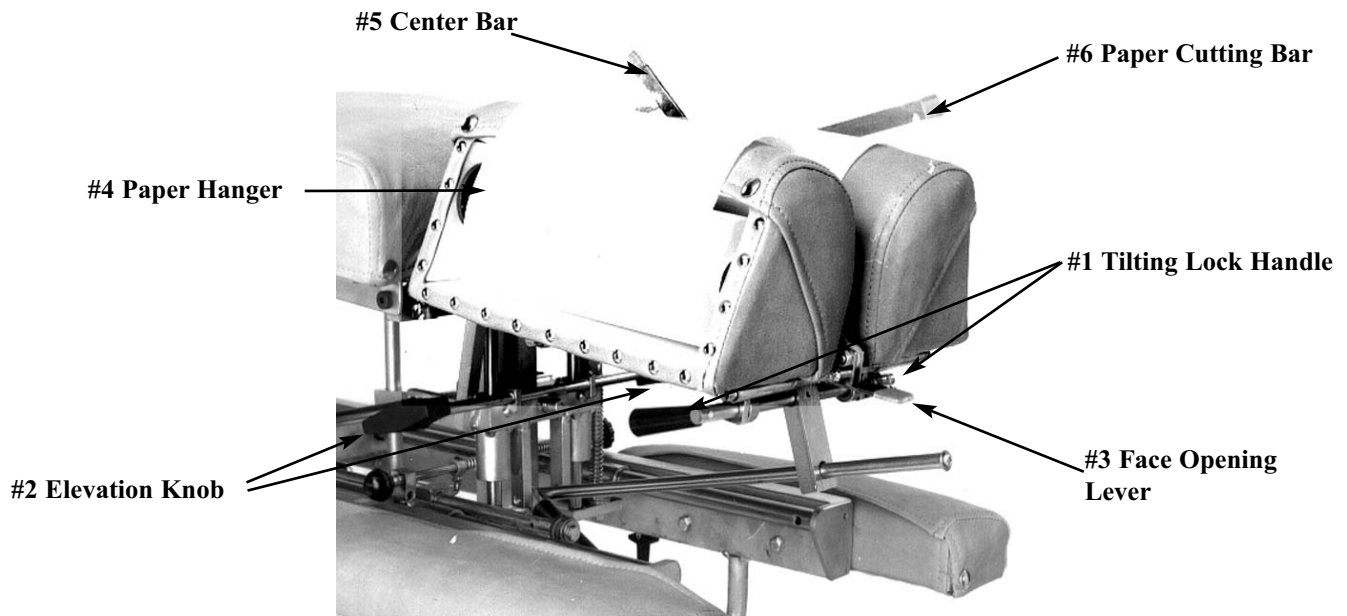
DIAGRAM #1

The following sections provide explanations on the operation of your Lloyd table. All references to right and left, will be in relationship to your view, as you face table from the foot end. All references to the front will refer to the head end of the table. Those to the rear will refer to the foot end.

Head Cushion

The head cushion is designed to provide a multitude of positions & operations through our standard Deluxe Headpiece and optional Total Dimension Flexion™ Headpieces.

Standard Deluxe Headpiece



To Raise the tilting feature on the Deluxe Headpiece:

1. Lift on the bottom front edges of the cushion
2. Release at the desired height, the cushion will automatically lock into position.



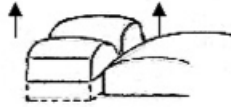
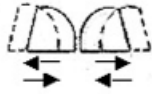
To Lower the tilting feature on the Deluxe Headpiece:

1. Support the front corner edge of the cushion.
2. Lift the Locking Handle (No. 1) to release.
3. Gently lower the cushion to the desired height.
4. Release the lock handle first and then the cushion to lock.



WARNING: TO AVOID INJURIES WHEN RAISING OR LOWERING HEAD CUSHIONS, BE SURE TO HAVE A PROPER HOLD ON THE CUSHION BEFORE RELEASING THE ELEVATING HANDLE (NO. 2).

Standard - Deluxe Head



To Elevate the Head Cushion

1. The head cushion is assisted by a gas shock in raising the cushion. With a hand supporting the head cushion, turn the Elevation Knob (No. 2) on either side of the table upward to unlock. When the desired height is determined simply release the Elevation Knob (No. 2) to lock.

To Lower the Head Cushion

1. Turn the Elevation Knob upward to unlock. While unlocked push down on the cushion to lower. When the desired height is determined simply rotate the Elevation Knob (No. 2) down to lock.

Face Opening Adjustment

1. The Head Cushion's face opening can be opened or closed to adjust for comfort with the Face Opening Lever (No. 3). By Pushing slightly down on the Face Opening Lever, slide side to side adjusting the face opening. The Face Opening Lever must be released in one of eight positions to lock the cushions in place.

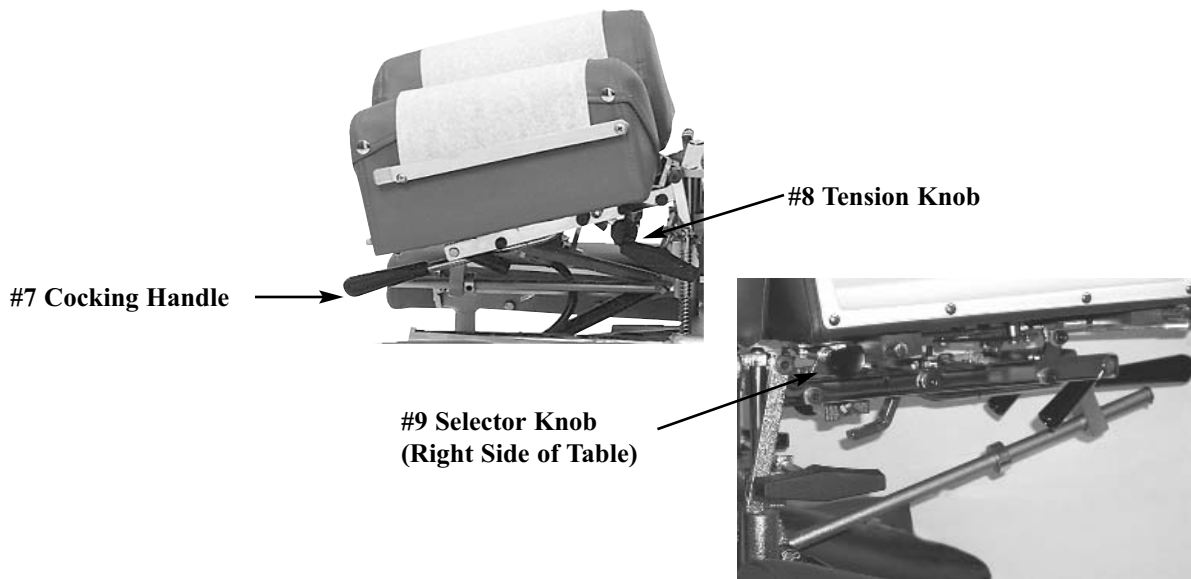
Paper Roll

The paper roll mounts conveniently inside the right-hand cushion.

Replacing the Paper Roll

1. Remove the paper hanger tension rod (No. 4) by compressing ends of the rod horizontally. This will allow you to slide one end out, to remove the paper roll tube.
2. Slide a new paper roll on the tension rod so that it rolls off the bottom side. Compress the rod ends horizontally and set inside the head cushion.
3. Swing the Center Bar (No. 5, Page 3) and Outside Cutting Bar (No. 6, Page 3) up. Route paper over the cushions and down between the two outside cutting bars. Return both bars to their original position.
4. Trim the paper by supporting the paper cutting bar with one hand and pulling the paper up along the bar's edge.

Optional - Deluxe Head with Drops



Operating the Straight / Toggle Drop:



CAUTION: THE DROP CUSHION TENSION SHOULD BE CHECKED AND TESTED BEFORE ADJUSTING A PATIENT.

NOTE - DROP SHOULD BE IN DOWN / DEACTIVATED POSITION BEFORE MOVING SELECTOR KNOB (NO. 9) IN OR OUT.

1. To engage the Straight / Toggle Drop head, pull the selector knob (No. 9) out about half an inch.
2. Push down on the Cocking Handle (No. 7) until the head cushion is cocked into its top position.
3. Once cocked, test the drop by pushing down on the cushion. If the cushion drops too easily or too hard, adjust the tension with the Tension Knob (No. 8).

Operating The Tension Knob:

1. The tension is adjusted by turning the tension knob (No. 8) in a clockwise and counterclock-wise direction.
 - A. Clockwise - Increases tension
 - B. Counterclockwise - Decreases tension

Operating the Forward Motion Drop:

CAUTION: THE DROP CUSHION TENSION SHOULD BE CHECKED AND TESTED BEFORE ADJUSTING A PATIENT.

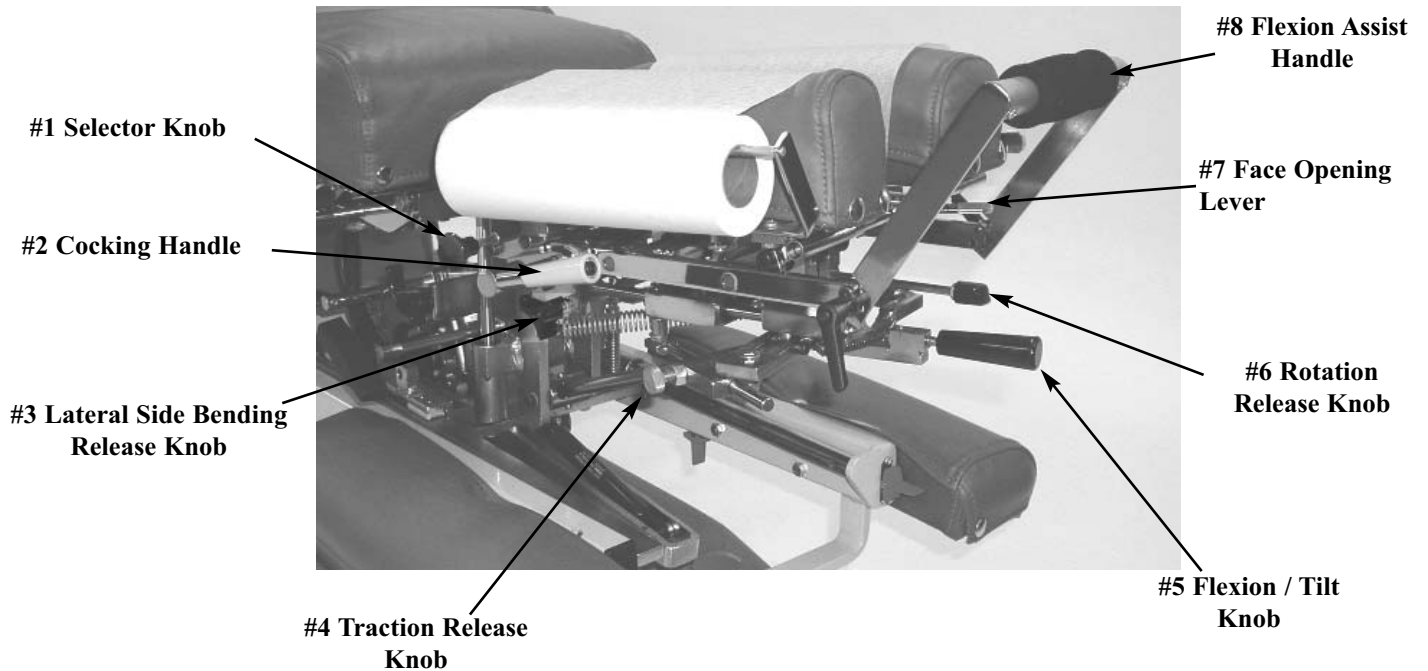
NOTE - DROP SHOULD BE IN DOWN / DEACTIVATED POSITION BEFORE MOVING SELECTOR KNOB (NO. 9) IN OR OUT.



1. The Selector Knob (No. 9) is to be pushed in, to engage the forward motion drop.
2. Push down on the Cocking Handle (No. 7) to raise into its cocked position.
3. Once cocked, test the drop by pushing down on the cushion, and adjust the tension (see above Operating the Tension Knob section).

Optional - Total Dimension Flexion Head™

Left Side



Forward & Straight / Toggle Drop Operation Instructions



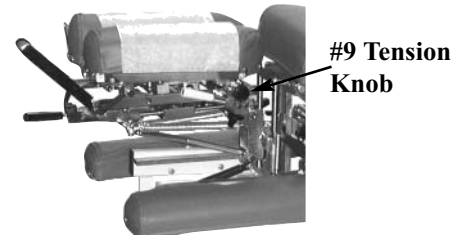
CAUTION: THE DROP CUSHION TENSION SHOULD BE CHECKED AND TESTED BEFORE ADJUSTING A PATIENT.

NOTE - DROP SHOULD BE IN DOWN / DEACTIVATED POSITION BEFORE MOVING SELECTOR KNOB (NO. 9) IN OR OUT.

1. To engage the Straight / Toggle Drop head, pull the selector knob (No. 1) out about half an inch.
2. Push down on the Cocking Handle (No. 2) until the head cushion is cocked into its top position.
3. Once cocked, test the drop by pushing down on the cushion. If the cushion drops too easily or too hard, adjust the tension with the Tension Knob (No. 9).

Operating The Tension Knob:

1. The tension is adjusted by turning the tension knob (No. 9) in a clockwise and counterclockwise direction.
 - A. Clockwise - Increases tension
 - B. Counterclockwise - Decreases tension



Right Side

1. The Selector Knob (No. 1) is to be pushed in, to engage the forward motion drop.
2. Push down on the Cocking Handle (No. 2) to raise the drop cushion to its cocked position.
3. Once cocked, test the drop by pushing down on the cushion. If the cushion drops too easily or too hard, adjust the tension with the Tension Knob (No. 9).

Optional - Total Dimension Flexion Head™

WARNING: THE FOLLOWING CERVICAL OPERATIONS ARE ONLY TO BE OPERATED BY A PROFESSIONAL PRACTITIONER, EDUCATED IN THE PROCEDURE OF FLEXION-DISTRACTION AND TRACTION, ON THE SPINE.

Lateral Side Bending

1. To unlock the Lateral Side Bending Feature rotate the Lateral Side Bending Release Knob (No. 3) clockwise (from left side of table).
2. Turn the Lateral Side Bending Release Knob (No. 3) counterclockwise to lock headpiece in desired position (from left side of table).

CAUTION: MAKE SURE THE HEADPIECE IS LOCKED BEFORE ALLOWING A PATIENT ON OR OFF THE TABLE.

Manual Traction

1. To unlock the manual traction feature simply pull and twist the Traction Release Knob (No. 4) 1/4 of a turn clockwise or counterclockwise.
2. When unlocked the headpiece will glide forward and backward.
3. To lock the manual traction twist the Traction Release Knob (No. 4) 1/4 turn counterclockwise or clockwise.

Manual Flexion Distraction

1. To unlock the manual flexion distraction locate the Flexion / Tilt Knob (No. 5) pull forward and twist 1/4 turn counterclockwise.
2. Gently apply pressure down using the Flexion Assist Handle (No. 8).
3. To lock the manual flexion distraction twist the Flexion / Tilt Knob (No. 5) 1/4 turn clockwise and release to engage lock.

Tilting Feature

1. To unlock the Tilting feature locate the Flexion / Tilt Knob (No. 5) while supporting the head cushion pull forward and twist counterclockwise.
2. Once the desired angle is obtained, lock the headpiece simply by twisting the Flexion / Tilt Knob (No. 5) clockwise and release.

Rotation Feature

1. To unlock the Rotation feature locate the Rotation Release Knob (No. 6) Pull toward the head of the table and twist 1/4 turn clockwise.
2. Gently move the headpiece with the Flexion Assist Handle (No. 8)
3. To lock the Rotation feature locate the Rotation Release Knob (No. 6) twist 1/4 turn counter clockwise and release.

Face Opening Adjustment

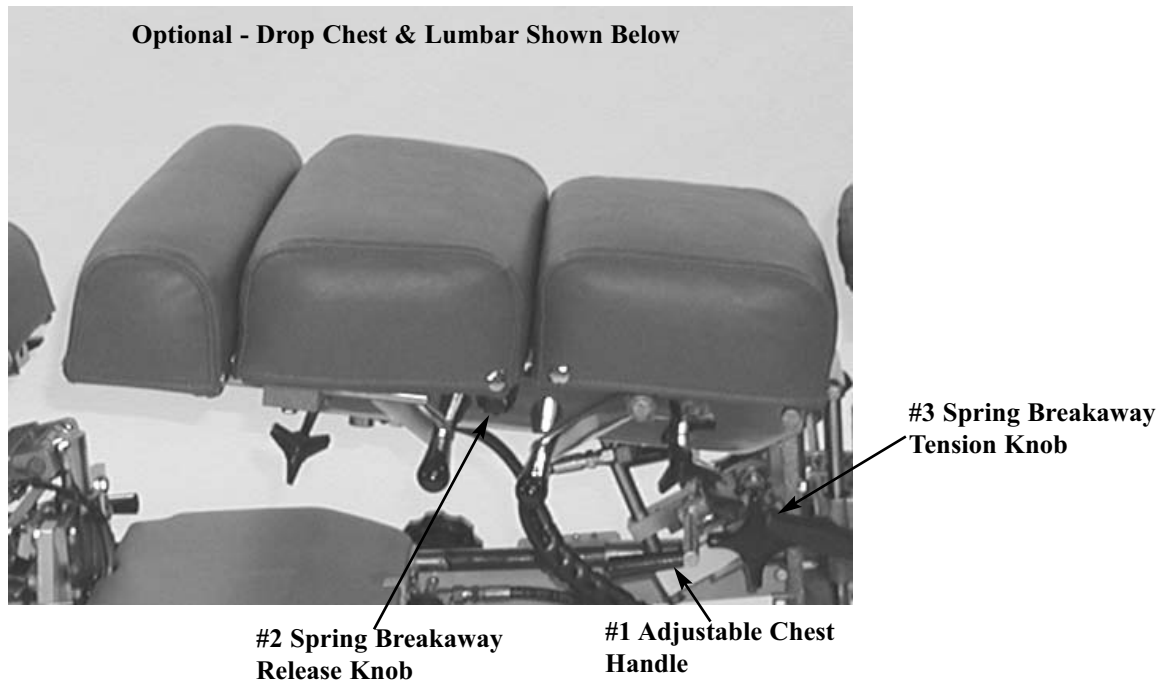
1. The Head Cushion's Face Opening can be opened or closed to adjust for the comfort with the Face Opening Lever (No. 7). By pushing slightly down on the Face Opening Lever, slide side to side adjusting the face opening. The Face Opening Lever must be released in one of the eight positions to lock cushions in place.

Flexion Assist Handle

1. The Flexion Assist Handle (No. 8) has many functions including aiding with manual Cervical Flexion Distraction, rotation, lateral side bending, and tilting the headpiece.
2. To adjust the Flexion Assist Handle to desired comfort twist the Flexion Assist Handle locking Knobs on both sides of table. This will unlock the handle for adjustment. Twist in opposite direction to lock.

Chest Cushion

The chest cushion is designed to accommodate large and small abdomen patients, along with the versatility of being a stationary or floating cushion.



Standard - Adjustable Tilting Chest

Tilting Chest Cushion Up

1. Lift the rear corners of the cushion.
2. Release the cushion when the desired angle is reached and the cushion will automatically lock into place.

Tilting Chest Cushion Down

1. Support the cushion at the rear corners.
2. Lift on the Adjustable Chest Handle (No. 1) to release the cushion.
3. Slide the cushion to desired angle.
4. Release the Adjustable Chest Handle (No. 1) first and then the cushion to lock into desired height.

Spring Breakaway Chest

To Unlock Spring Breakaway Chest Cushion

1. Pull on Spring Breakaway Knob (No. 2) (facing the right side of the table) to unlock.
2. The resulting floating effect will allow the cushion to gently drop under pressure and spring back when released.

To Lock the Spring Breakaway Cushion

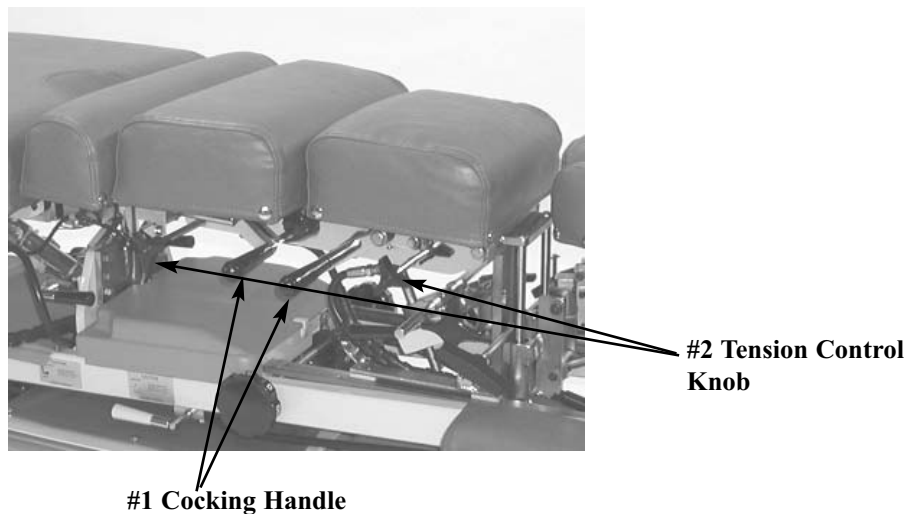
1. Push on Spring Breakaway Knob (No. 2) (facing the right side of the table) to lock. Spring Breakaway will only lock in neutral position

To Increase or Decrease the Tension for Spring Breakaway

1. Rotate the Spring Breakaway Tension Knob (No. 3).

- | | | | |
|---------------------------------------------|---|-------------------------------------|---|
| A. Left Side: Clockwise - Increase Tension | ▼ | Counterclockwise - Decrease Tension | ▲ |
| B. Right Side: Clockwise - Decrease Tension | ▲ | Counterclockwise - Increase Tension | ▼ |

Chest Cushion - Manual Drops



Chest & Lumbar Drop - Manual

Cocking the Drop Chest or Lumbar Cushion

1. Pull up on the Cocking Handle (No. 1) to cock the desired drop cushion.
2. Adjust the tension on either side by turning the Tension Control Knob (No. 2)

Right side: Clockwise - Decreases Tension Counterclockwise - Increase Tension

Left Side: Clockwise - Increase Tension Counterclockwise - Decrease Tension



CAUTION: THE DROP CUSHION TENSION SHOULD BE CHECKED AND TESTED BEFORE ADJUSTING PATIENT. KEEP FINGERS AWAY FROM BOTTOM OF CUSHION TO AVOID PINCHING

Pelvic Drop



Pelvic Drop - Manual

Cocking the Drop Pelvic Cushion

1. Pull up on the Cocking Handle (No. 1) to cock the drop cushion.
2. Adjust the tension on either side by turning the Tension Control Knob (No. 2)

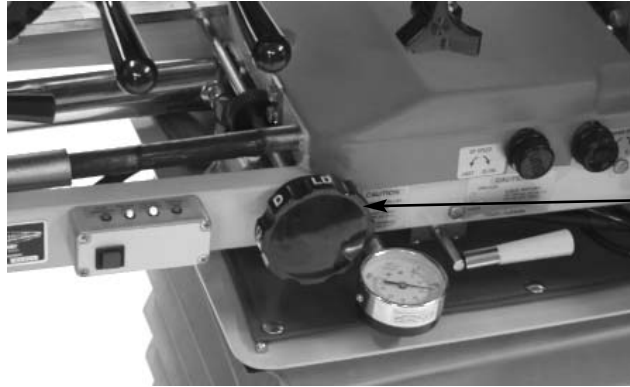
Right side: Clockwise - Decreases Tension Counterclockwise - Increase Tension

Left Side: Clockwise - Increase Tension Counterclockwise - Decrease Tension



CAUTION: THE DROP CUSHION TENSION SHOULD BE CHECKED AND TESTED BEFORE ADJUSTING PATIENT. KEEP FINGERS AWAY FROM BOTTOM OF CUSHION TO AVOID PINCHING

Automatic Cocking Drops



#1 Automatic Drop Selector Knob

Cervical (Head Cushion) Drop - Automatic

To Cock the Cervical (Head Cushion) Drop:

1. Rotate the selector knob (No. 1) to “C” to select the Cervical (Head Cushion) drop.
2. Step on the white strip to activate the auto cocking drop.



CAUTION: THE DROP CUSHION TENSION SHOULD BE CHECKED AND TESTED BEFORE ADJUSTING PATIENT. KEEP FINGERS AWAY FROM BOTTOM OF CUSHION TO AVOID PINCHING.

3. Adjust the tension on the drop by turning the Tension Control Knob (Refer to Page 5 for Instructions).

To Cock the Dorsal (Chest Cushion) Drop:

1. Rotate the selector knob (No. 1) to “D” to select the Dorsal (Chest Cushion) drop.
2. Step on the white strip to activate the auto cocking drop.



CAUTION: THE DROP CUSHION TENSION SHOULD BE CHECKED AND TESTED BEFORE ADJUSTING PATIENT. KEEP FINGERS AWAY FROM BOTTOM OF CUSHION TO AVOID PINCHING.

3. Adjust the tension on the drop by turning the Tension Control Knob (Refer to Page 9 for Instructions).

To Cock the Lumbar Cushion Drop:

1. Rotate the selector knob (No. 1) to “L” to select the Lumbar drop.
2. Step on the white strip to activate the auto cocking drop.



CAUTION: THE DROP CUSHION TENSION SHOULD BE CHECKED AND TESTED BEFORE ADJUSTING PATIENT. KEEP FINGERS AWAY FROM BOTTOM OF CUSHION TO AVOID PINCHING.

3. Adjust the tension on the drop by turning the Tension Control Knob (Refer to Page 9 for Instructions)

Automatic Cocking Drops

To Cock the Pelvic Cushion Drop:

1. Rotate the selector knob (No. 1) to “P” to select the Pelvic drop.
2. Step on the white strip to activate the auto cocking drop.



CAUTION: THE DROP CUSHION TENSION SHOULD BE CHECKED AND TESTED BEFORE ADJUSTING PATIENT. KEEP FINGERS AWAY FROM BOTTOM OF CUSHION TO AVOID PINCHING.

3. Adjust the tension on the drop by turning the Tension Control Knob (Refer to Page 9 for Instructions)

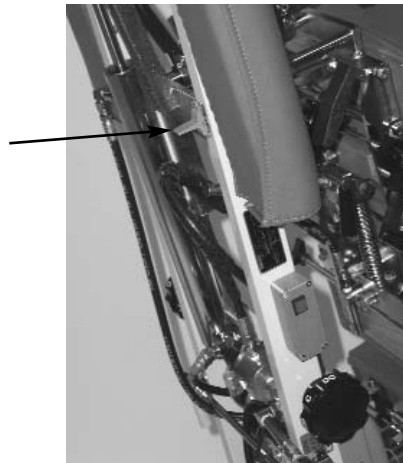
Note - Table is capable of performing a combination of drops - See Selector Knob Letter Reference Chart Below.

Selector Knob Reference Chart

| | |
|-------------------|------------------------------|
| C - Cervical Drop | DC - Dorsal & Cervical Drops |
| D - Dorsal Drop | LD - Lumbar & Dorsal Drops |
| L - Lumbar Drop | PL - Pelvic & Lumbar Drops |
| P - Pelvic Drop | CP - Cervical & Pelvic Drops |

Head & Chest Extension - Retraction Switch

#1 Head & Chest
Extension - Retraction
Switch



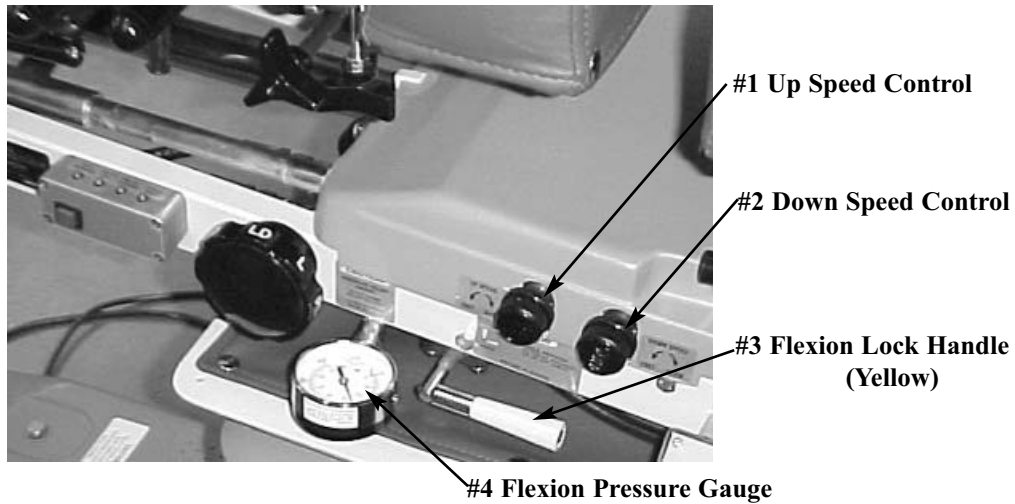
To Adjust the Height of Table:

The table must be in the verticle (Tilted) position, while the patient is standing on the foot plate, the switch is located on the frame underneath the left arm rest.

1. To extend the head and chest cushions, toggle switch towards the head end of the table.
2. To retract (shorten) the head and chest cushion, toggle switch towards the foot end of the table.
* Note - This Switch also deactivates the child safety feature.*

Pelvic Cushion Flexion - Distraction

The Pelvic section is designed with the capability of Traction, Lateral Side Bending, Flexion, and optional rotation




WARNING: THE FOLLOWING PELVIC OPERATIONS ARE ONLY TO BE OPERATED BY A PROFESSIONAL PRACTITIONER, EDUCATED IN THE PROCEDURE OF FLEXION - DISTRACTION AND TRACTION, ON THE LOWER BACK AND SPINE.

Manual Pelvic Flexion Distraction



THE PELVIC FLEXION PRESSURE SHOULD BE CHECKED ON THE GAUGE FOR PROPER SUPPORT AND ADJUSTED BEFORE ALLOWING A PATIENT ON THE TABLE.

To Increase the Flexion Pressure:

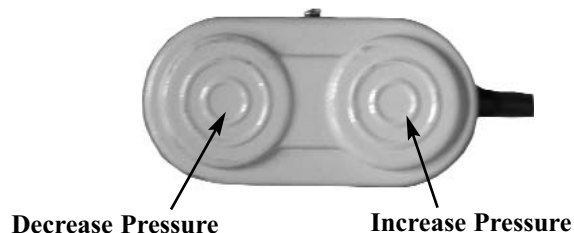
1. Turn the Flexion Lock Handle (Yellow)(No. 3) up to unlock manual pelvic flexion. Activating the cord end of the gray foot pedal will increase the flexion pressure.
2. Observe the Flexion Pressure Gauge (No. 4)  **CAUTION: DO NOT EXCEED 800 PSI**

To Decrease the Flexion Pressure:

1. Turn the Flexion Lock Handle (Yellow)(No. 3) up to unlock manual pelvic flexion. Activating the cordless end of the gray foot pedal will decrease the flexion pressure.
2. Pressure drop can be observed on the pressure gauge.



CAUTION: DO NOT REDUCE BELOW 300 PSI



Pelvic Cushion Flexion - Distraction

Manual Flexion

! BEFORE ENGAGING PELVIC FLEXION, BE SURE THE PRESSURE IS PROPERLY ADJUSTED TO SUPPORT PATIENT (SEE FLEXION PRESSURE PAGE 12).

1. Turn the Yellow Flexion Lock Handle (Page 12, No. 3) up to engage manual flexion. Simply push down on the pelvic, ankle cushion, or optional T-Bar to achieve flexion. The Flexion Pressure Gauge pressure should be adjusted to push the patient's weight back up.
2. To bring the pelvic cushion back to its horizontal position, the operator simply has to let up on the cushion.
3. Once the pelvic cushion is level, turn the Yellow Flexion Lock Handle (Page 12, No. 3) down to lock manual flexion.

! BE SURE TO TURN THE YELLOW FLEXION LOCK HANDLE DOWN, LOCKING THE CUSHION IN ITS HORIZONTAL POSITION, BEFORE ALLOWING A PATIENT ON OR OFF THE TABLE.

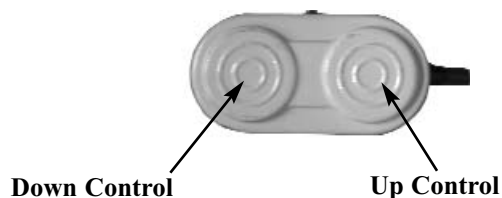
Semi-Automatic Flexion

The up/down motion of the pelvic cushion can also be performed semi-automatically with the gray foot pedal.

! ALWAYS CHECK THE UP/DOWN SPEED OF THE PELVIC CUSHION BEFORE ADJUSTING THE PATIENT. SEE FLEXION SPEED CONTROL BELOW.

1. To activate the semi-automatic flexion depress either side of the gray foot pedal.

Up Control: Press corded side of the gray foot pedal to bring cushion up.
Down Control: Press the cordless Side of the gray foot pedal to bring cushion down.
2. The table will not tilt unless the pelvic cushion is returned to the level position (See Page 19).



Semi-Automatic Flexion - Speed Control

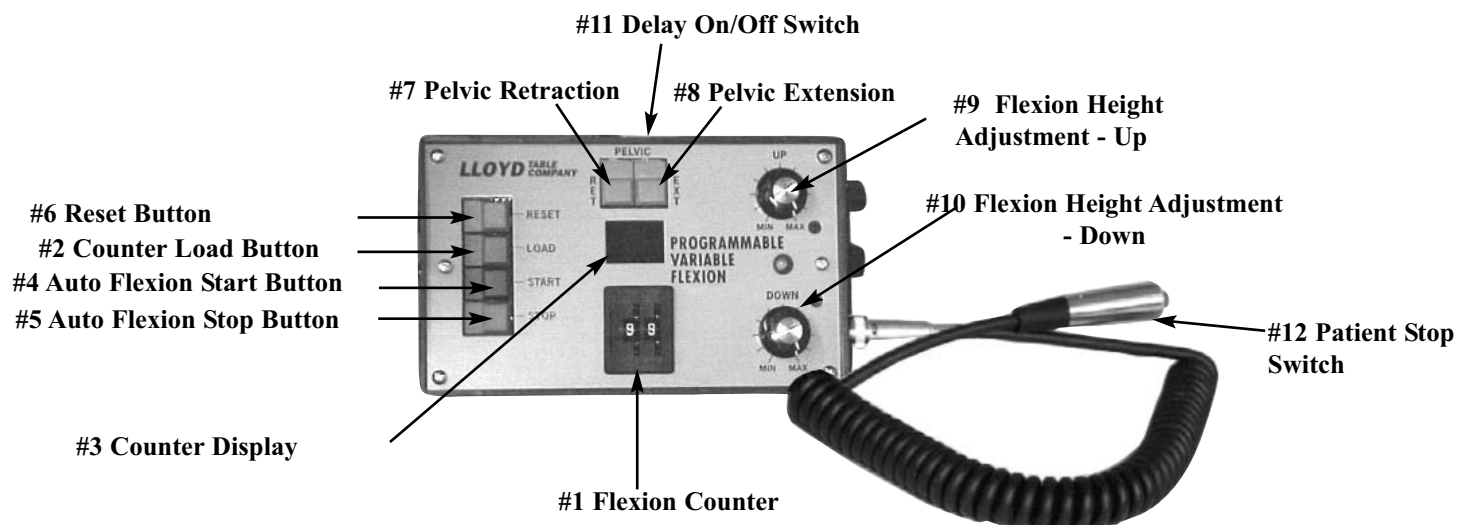
Up Speed Control: Turn the Up Speed Control (Page 12, No. 1) clockwise to decrease the flexion speed in the up motion.

Turn the Up Speed Control (Page 12, No. 1) counterclockwise to increase the flexion speed in the up motion.

Down Speed Control: Turn the Down Speed Control (Page 12, No. 2) clockwise to decrease the flexion speed in the down motion.

Turn the Down Speed Control (Page 12, No. 2) counterclockwise to increase the flexion speed in the down motion.

Pelvic Cushion Flexion - Distraction



Auto Flexion Preliminary Check

The following steps should be checked before operating auto flexion:

1. The Flexion Lock Handle (Page 12, No. 3) must be in down position to operate auto flexion.
2. Pelvic Side Bending must be locked in the center of table (See Page 16).
3. Optional Pelvic Rotation must be locked into a non-rotated position (See Page 17).
4. Make sure to run a test, checking the flexion depth and speed before adjusting a patient.



ALWAYS CHECK THE UP/DOWN SPEED OF THE PELVIC CUSHION BEFORE ADJUSTING THE PATIENT. SEE FLEXION SPEED CONTROL PAGE 12 & 13.

Auto Flexion Operation Instructions

The Auto Flexion Counter enables you to program the number of repetitions of Flexion - Distraction desired.

1. Spin the Flexion Counter (No. 1) to desired number of repetitions 01 thru 99.
2. Next, push the Counter Load Button (No. 2) to load the number of repetitions dialed.
3. Notice the number dialed now appears on Counter Display (No. 3).
4. After the number has been loaded push the Auto Flexion Start Button (No. 4)
5. The Auto Flexion Stop Button (#5) and Patient Stop Switch (#12) can be used as an emergency shut-off. Once activated, the flexion cushion will stop instantly.

Reset Button

The Reset Button (No. 6) is used to discontinue the flexion motion, and to reset the counter back to zero. When the Reset Button is pressed during the flexion motion, the table will continue through its cycle until it reaches its top position, then stops.

Pelvic Cushion Extension & Retraction

1. To elongate the pelvic cushion simply press the Pelvic Extension (No. 8) button. Press until desired length is obtained, and release.
2. To shorten the pelvic cushion press the Pelvic Retraction (No. 7) button. Press until desired length is obtained, and release. (The table will not tilt unless the pelvic cushion is fully retracted - See Page 19)

Pelvic Cushion Flexion - Distraction

Adjusting the Depth of the Up & Down Position



ALWAYS CHECK THE UP/DOWN SPEED OF THE PELVIC CUSHION BEFORE ADJUSTING THE PATIENT. SEE FLEXION SPEED CONTROL PAGE 12 & 13.

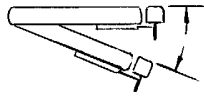


Fig. #1

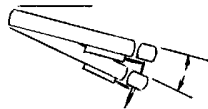


Fig. #2

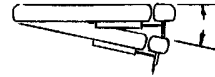
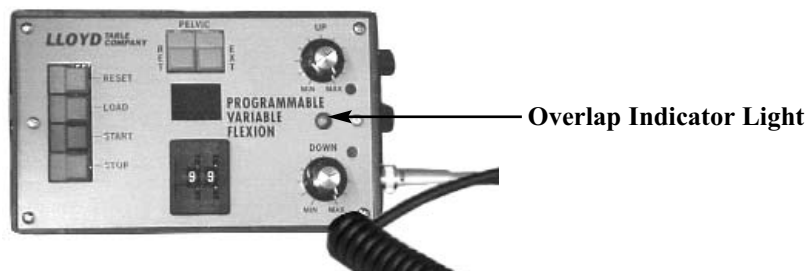


Fig. #3

Fig. #1: When the Flexion Height Adjustment - Up & Down Knobs (Page 14, No. 9 & 10) are turned clockwise to their maximum limit, the pelvic cushion travels to its maximum flexion distance.

Fig. #2: As the Flexion Height Adjustment - Up knob (Page 14, No. 9) is turned in a counter clockwise direction, the pelvic cushion will minimize its up travel. The result is a shorter up stroke, keeping the pelvic cushion in the low side.

Fig. #3: As the Flexion Height Adjustment - Down knob (Page 14, No. 10) is turned in a counterclockwise direction, the pelvic cushion will minimize its down travel. The result is a shorter down stroke, keeping the pelvic cushion on the high side.



Overlap Indicator

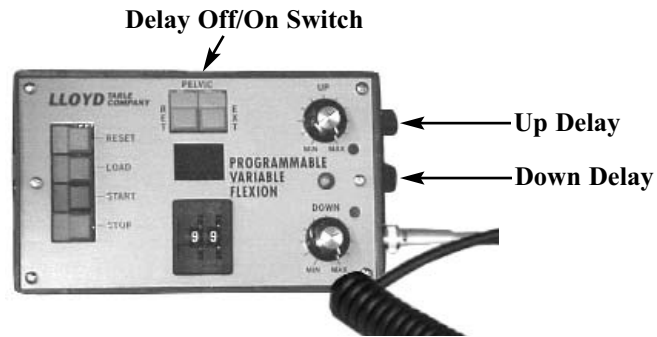
The overlap indicator light shows that the operator has lapped the Up & Down Flexion Modes over one another.

Example: Both the Flexion Adjustment - Up & Down controls are turned to their maximum limit (MAX). The pelvic flexion has been started, and you want to shorten the stroke. You then turn the up control, back in a counterclockwise direction. When the knob is turned back, the flexion stroke gets shorter and shorter. Eventually you turn the control knob to the point where the green indicator light comes on, and the flexion stops.

This indicates that the up strokes have been shortened to the point where it converges with the down stroke, causing the motion to halt. To restart the flexion, turn the Up control clockwise until the indicator light is off.

The same will occur when turning the down control too far counterclockwise, causing it to converge with the up stroke.

Pelvic Cushion Flexion - Distraction



Up Delay Feature

The Up delay adjustment knob controls the amount of time the pelvic cushion stays in the highest set position from 0 to 30 seconds. Simply turn the knob clockwise to increase the delay.

Down Delay Feature

The down delay adjustment knob controls the amount of time the pelvic cushion stays in the lowest set position from 0 to 30 seconds. Simply turn the knob clockwise to increase the delay.

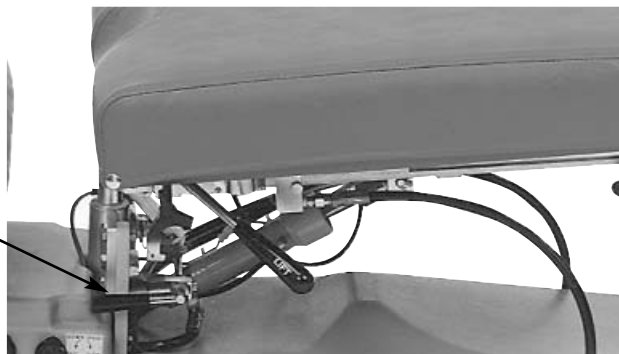
Delay On/Off Switch

To turn the delay feature off push switch down on the left side.

To activate the delay feature push the switch down on the right side.

Pelvic Lateral Side Bending

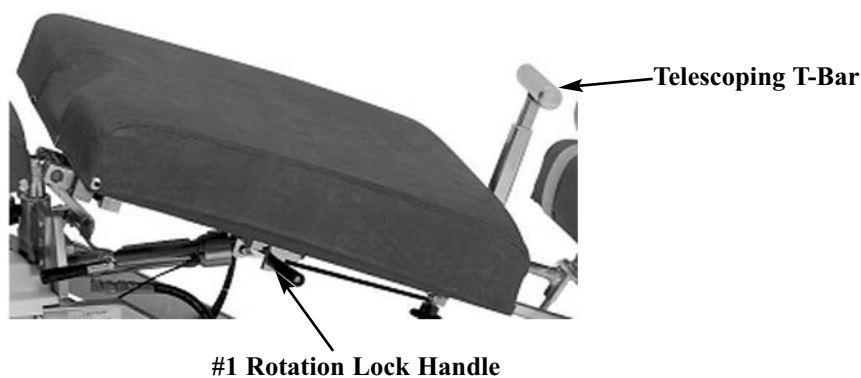
Lateral Side Bending Lock
/ Unlock Handle



To Operate Lateral Side Bending Feature:

1. Turn the Lateral Side Bending Handle up, to allow the pelvic cushion to laterally bend
2. The cushion can be locked at various angles of side bending, laterally moving the cushion in position and locking the handle down. (The table will not tilt with this handle in the unlocked position, or if cushion is not centered.)

Pelvic Rotation & T - Bar



Pelvic Rotation (Optional)

To Unlock the Pelvic Rotation

1. Support the edge of the pelvic cushion.
2. Pull up and slide the Rotation Lock Handle (No. 1) towards the rear of the table to unlock.

To lock the Pelvic Rotation

1. Place the Pelvic Cushion into it's horizontal position.
2. Slide the Lock Handle (No. 1) forward to lock.
3. Table will not tilt if lock handle is not locked securely see page 19.

Telescoping T-Bar (Optional)

To Change the height of the T-bar

1. While T-Bar is revealed and locked into position simply pinch the red lever against the T-Handle to elevate or lower. Release red lever when desired height is obtained.

To reveal Telescoping T-Bar

1. Simply pivot the handle up until it locks into place. (Fig. 1)

To hide Telescoping T-Bar

1. Pivot the T-Bar down until it is in full horizontal position. (Fig. 2)

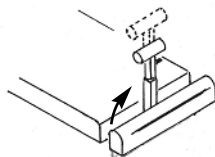


Fig. 1

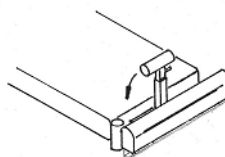


Fig. 2

Ankle Rest



Ankle Rest Adjustment

To Extend or Retract the Ankle Rest

1. Loosen the Horizontal Lock Knob (No. 1) and slide the cushion to the desired length.
2. Once the cushion is adjusted, tighten the lock knob.
3. Table will not tilt with ankle rest cushion extended see page 19.

Vertical Ankle Rest

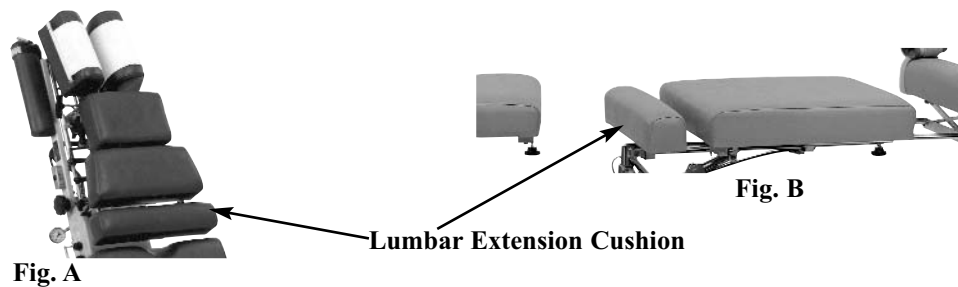
To Raise the Ankle Rest

1. Simply lift on the sides of the Ankle Rest Cushion.
2. Once the desired height is obtained the cushion will automatically lock into position when released.

To Lower the Ankle Rest

1. From the back end of the table, support the center of the Ankle Rest Cushion with the right hand.
2. With left hand, slide the Vertical Lock Lever (No. 2) towards the left side to release lock.
3. Lower the cushion to desired height, and release the Vertical Lock Lever to lock into place.

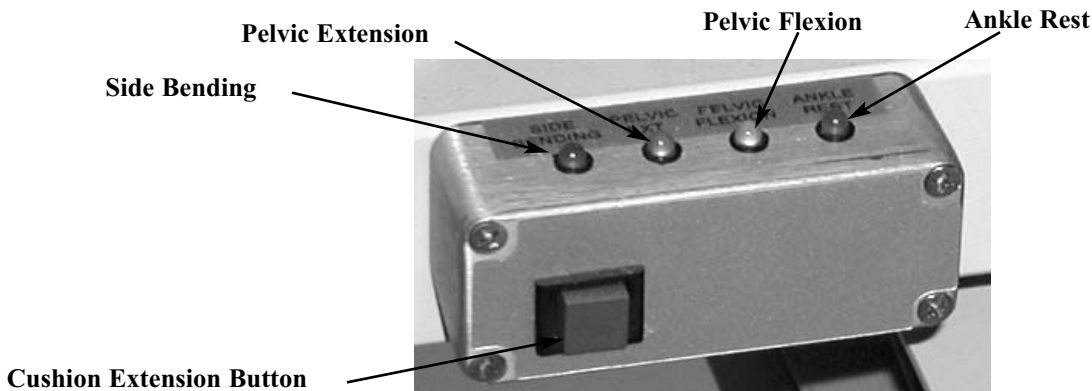
Lumbar Extension Cushion



The Lumbar Extension Cushion is designed to fill in the gap between the chest and pelvic cushions when table is extended for tall patients.

Lumbar Extension Cushion rods can be inserted into the lower chest (A) or upper pelvic section (B) as shown above.

Control / Indicator Box



Indicator Box

The four indicator lights on the control box represent a safety switch for four different operations. When any of the lights are illuminated, the table will not hyllo up or down until that particular function(s) is secured in position and all lights are out. This prevents anyone from raising the table before securing the cushion and patient in the proper position.

Side Bending Light

This light indicates when the pelvic cushion is not centered and handle is not locked (Page 16).

- | | |
|------------------|-------------------------------------------------------------------------------------------------------------------------------------------------------------------------------------------------|
| Light Off | When the pelvic is locked in its center position, the light is off, indicating it's in the proper position. |
| Light On | When the pelvic is locked in any position other than center, the light will be illuminated. The Cushion must be moved back to the center position before raising or lowering the table in Hylo. |

Pelvic Extension Light

The light marked Pelvic - Ext. represents two safety switches: Pelvic Extension (Page 14) or Pelvic Rotation (Page 17)

- | | |
|-------------------------|-------------------------------------------------------------------------------------------------------------------------------------------------------------------------------------------------------------------------------------------------------|
| Pelvic Extension | When the light is on, the pelvic cushion is extended. This indicates that the cushion needs to be retracted to its minimum length for the light to turn off. |
| Pelvic Rotation | The safety switch for pelvic rotation operates off the lock handle. When the pelvic rotation is unlocked, the light will be on. Locking the cushion into its horizontal position, turns the light off (See Page 17 for Pelvic Rotation Instructions). |

Pelvic Flexion Light

This light indicates when the pelvic cushion is not level (Page 12 & 13).

- | | |
|------------------|--------------------------------------------------------------------------------------------------------------------------------------------------------------------------------------------|
| Light Off | When the pelvic cushion is locked and in level position, the light is off, indicating it's in the proper position. |
| Light Off | When the cushion is in either the up or down position, the light will be illuminated. The pelvic cushion must be brought into level position before raising or lowering the table in Hylo. |

Control / Indicator Box

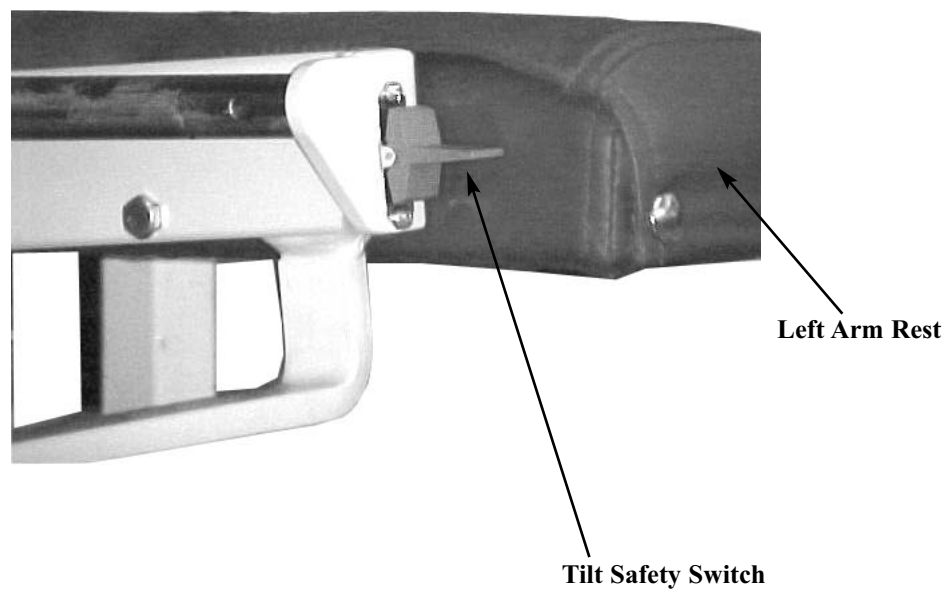
Ankle Rest Light

The ankle rest safety switch is secured, by sliding cushion forward and locking into position (Page 18).

Cushion Extension Button

The Cushion Extension switch is used to move head, chest, and pelvic cushions at once. This allows the cushions to maintain the same patient spacing, while shuttling the patient forward and to provide foot clearance with the foot plate when raising the table to verticle position (tilted).

Tilt Safeguard



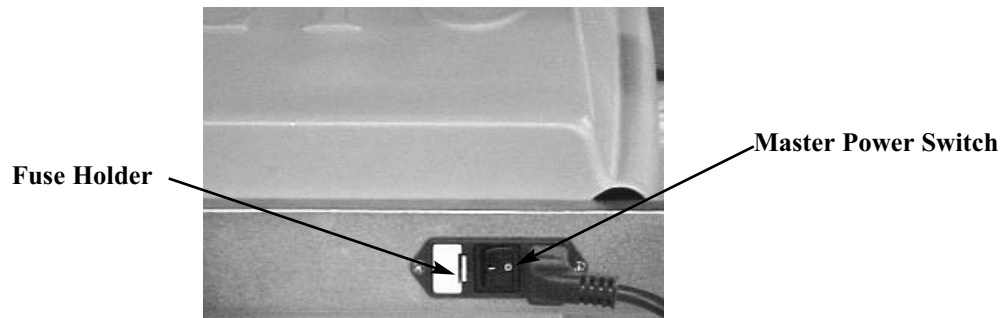
Tilt Safety Switch

The tilt safety switch is designed to prevent unauthorized operators from lowering the table from a Vertical position. The table cannot be lowered until the tilt Safety Switch or Extension Retraction (Page11) switch is activated.

The switch is located (shown above) on the left side, behind the arm rest cushion. By toggling the switch in either direction for just a second, the operator will have an estimated thirty seconds to lower the table from the verticle position.

When the table has reached its vertical position it can be lowered, within a period of thirty seconds, without activating the tilt safety switch. Just depress the directional foot pedal (within the thirty second time frame) to lower table.

Master Power Switch



The Master Power Switch is located on the front left side of the base frame. The switch is operated by pushing on the left or right side, marked with a zero or dash.

- A. ON is indicated with a dash (-) B. OFF is indicated with a Zero (0)



WARNING: WHEN THE TABLE IS NOT IN USE OR DOCTOR IS AWAY FROM THE TABLE, THE POWER SWITCH SHOULD BE TURNED OFF.

Power Switch Fuses



WARNING: UNPLUG THE POWER CORD FROM THE ELECTRICAL WALL OUTLET BEFORE REMOVING THE FUSE HOLDER TO AVOID INJURY.

A fuse holder tray is located next to the power switch and can be removed by pushing along the right side. Replace fuses with the same size rating.

Foot Pedal Control

Directional Pedal (Black)

The directional pedals have the dual function of raising and lowering table in elevation and hylo. The directional pedals can be operated in manual and auto mode.



Hylo This operation works in relation to the four safety switches indicated on the control box (Page 19), and the tilt safeguard (Page 20). These design functions are safety controls preventing the table from lowering from the hylo position.

Corded Side - Lowers the table from Vertical to horizontal.



Non - Corded Side - Raises table from horizontal to Vertical.



Elevation

Corded Side - Elevates the table horizontally.

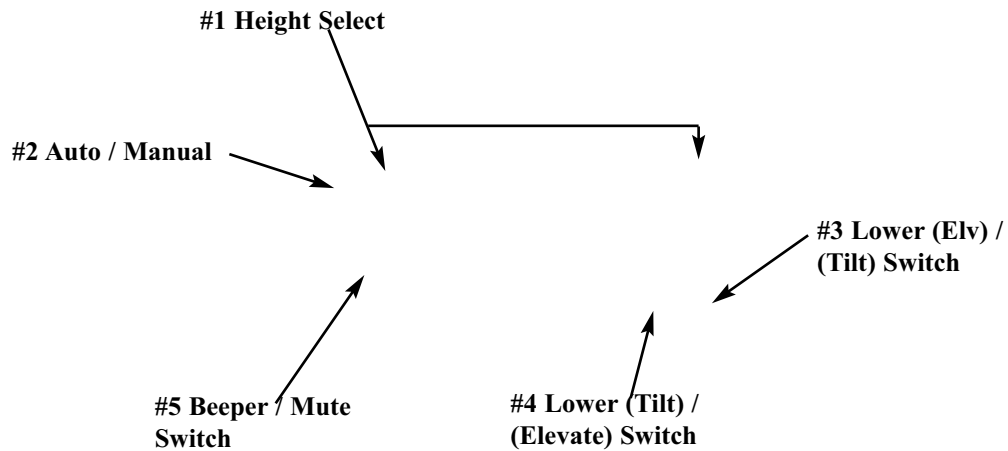


Non - Corded Side - Lowers the table.



Flexion Control Pedal (Gray) (See Page 12 & 13)

Height Select Panel



Height Select (No. 1)

The height select panel consists of nine height select buttons whereby the operator can preselect a desired height. The buttons range from 22 to 38 inches, at two inch increments. A button is activated when depressed, emitting a green light.

Auto / Manual (No. 2)

Manual Mode -The table is set in the manual mode whenever the electrical power is turned on.

In the manual mode; the height of the elevation or tilt of the table can be adjusted with the foot pedal or with the directional switches on the panel. The table will stop when the pedal or panel switch is released. If the Auto / Manual (No. 2) green light is on, it must be depressed to operate in manual mode.

Auto Mode - Pressing the auto / manual switch (No. 2), illuminates the green light and activates the table in the auto mode. The directional switch or pedal can be released and the table will continue to run a full cycle or to a pre-selected height.

Lower (Elev.) / Tilt Switch (No. 3)

The Lower (Elev.) / (Tilt) Switch (No. 3) lowers the table from a horizontal position and raises it to a Vertical position.

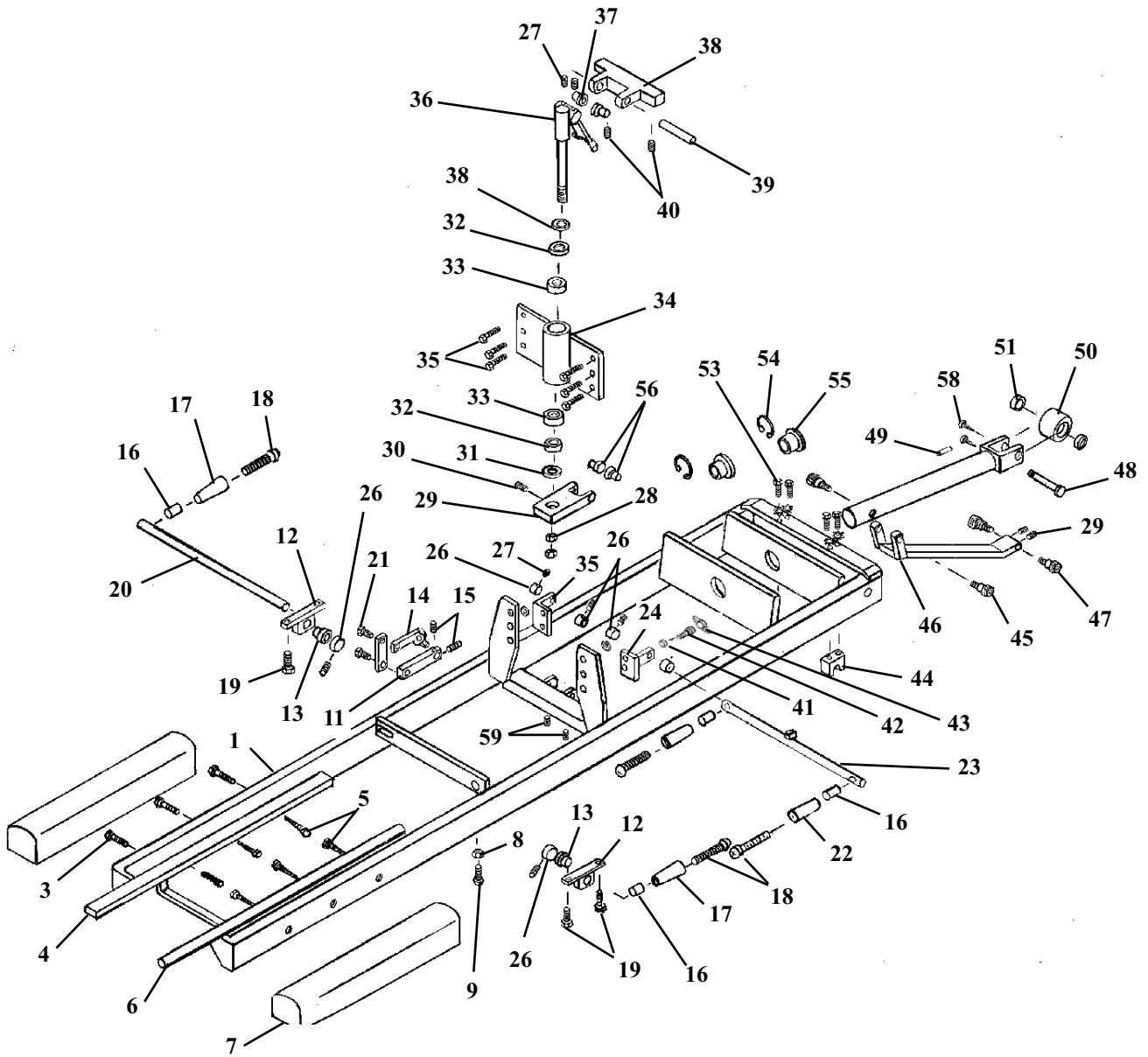
Lower (Tilt) / Elevate Switch (No. 4)

The Lower (Tilt) / (Elevate) Switch (No. 4) lowers the table from a Vertical position and raises to a horizontal position.

Beeper / Mute Switch (No. 5)

Used for turning the beeper sound on or off. The beeper provides an audible sound to indicate that a command was given to the main logic board.

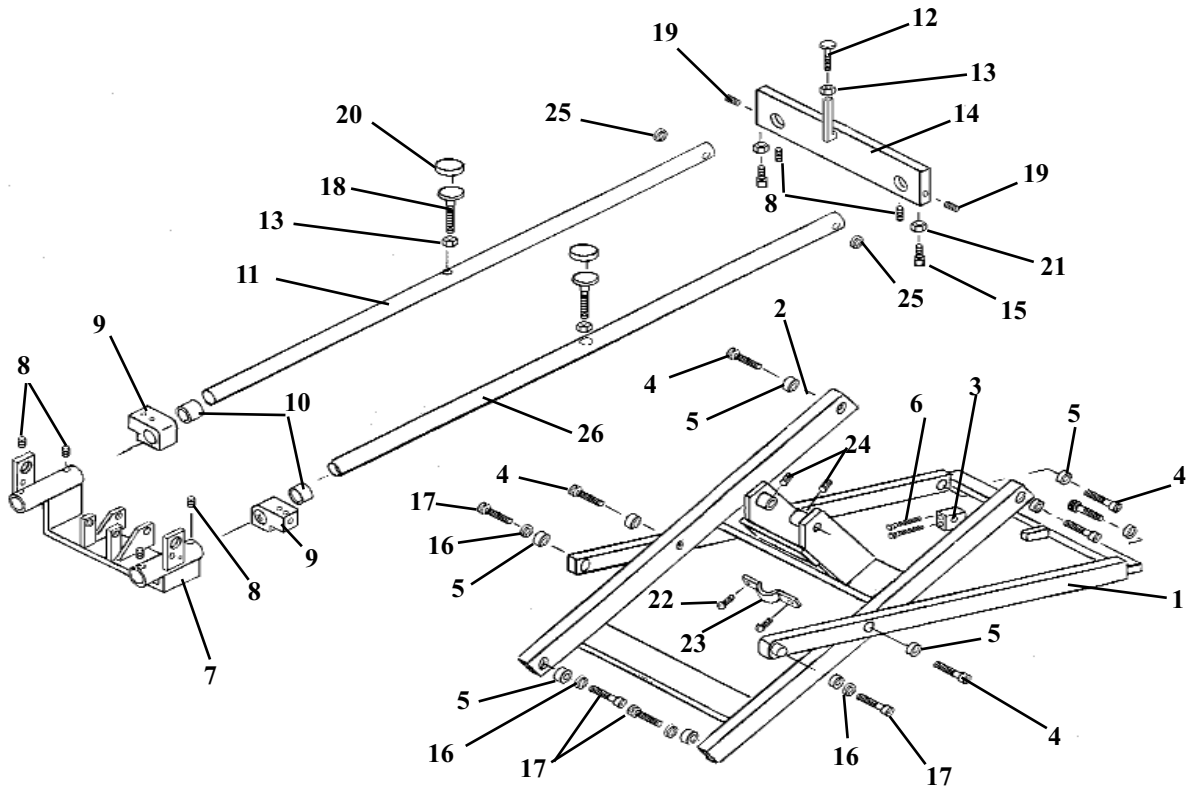
TILT FRAME ASS'Y



TILT FRAME ASS'Y

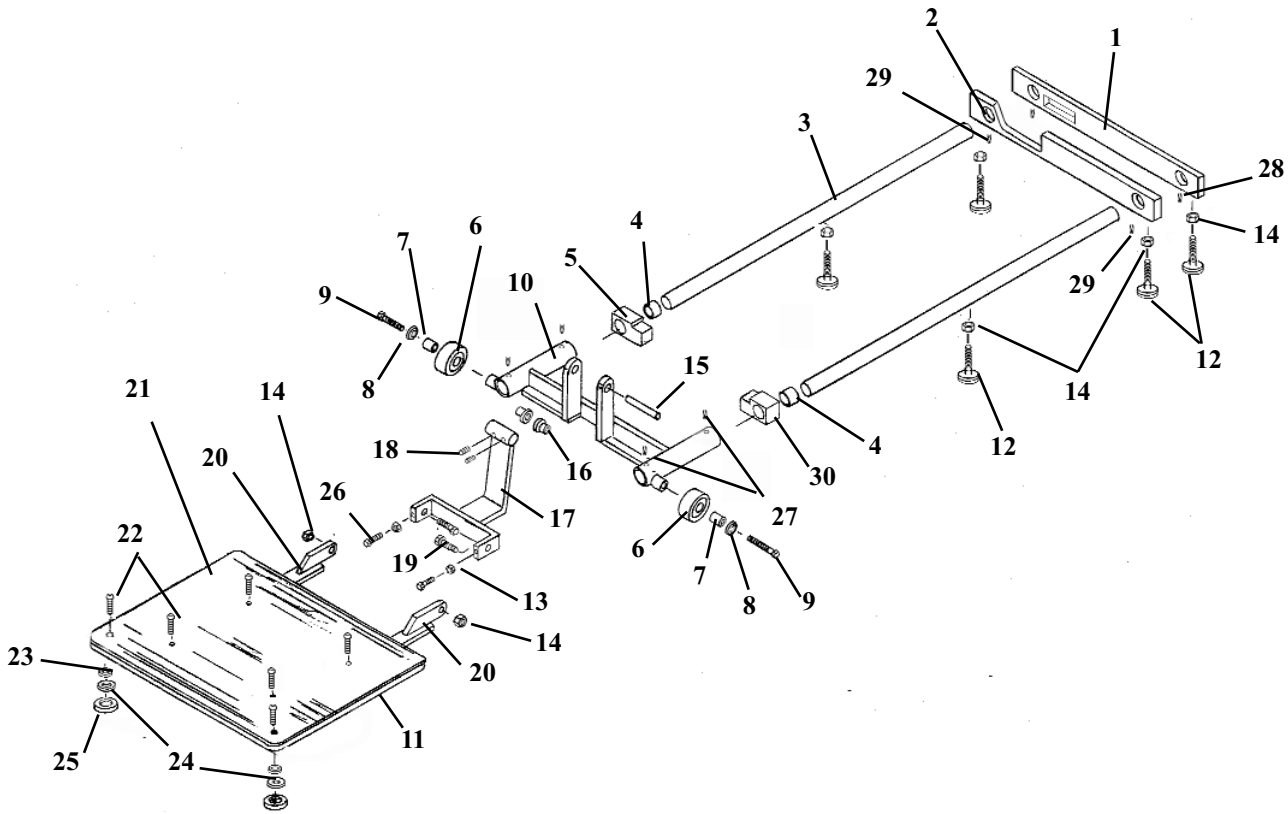
| ITEM | PART NO. | DESCRIPTION | QTY. |
|------|----------|----------------------------------------------------|------|
| 1 | 58685 | TILT FRAME ASS'Y | 1 |
| 2 | 40030 | ARM REST ASS'Y (RH) | 1 |
| 3 | 22031 | SCREW,MACH, SOC HD, FLAT, ¼-20 UNC X 1 ¼ | 3 |
| 4 | 55574 | GUIDE RAIL | 1 |
| 5 | 22085 | HEX. HD. LAG SCREW, ¼ X 3.00 | 6 |
| 6 | 58790 | GUIDE ROD | 1 |
| 7 | 40010 | ARM REST CUSHION (LH) | 1 |
| 8 | 21110 | NUT, JAM, 5/16 - 18 UNC | 1 |
| 9 | 22240 | SCREW, SQUARE HD, 5/16 - 18 UNC X 1 | 1 |
| 10 | 58118 | LINKAGE ARM | 1 |
| 11 | 58089 | DRIVER ARM | 1 |
| 12 | 57395 | BLOCK, GEAR TRAIN MOUNTING, 7/16 X 5/8 X 1 3/4 | 2 |
| 13 | 22885 | BUSHING, 3/8 ID X ½ OD X 15/32 OILITE | 2 |
| 14 | 58664 | VALVE CONTROL ARM | 1 |
| 15 | 22120 | SET SCREW, ¼-20 X ½ | 3 |
| 16 | 52192 | HANDLE EXTENSION | 4 |
| 17 | 24021 | CONTROL HANDLE (YELLOW) | 2 |
| 18 | 22050 | RD. HD. MACHINE SCREW, ¼-20 UNC X 2 ½ | 4 |
| 19 | 20022 | BOLT, HEX HEAD, ¼ - 20 UNC X 1 4 | 4 |
| 20 | 58081 | ROD, VALVE CONTROL | 1 |
| 21 | 21995 | SCREW, PAN HEAD, #10 - 24 UNC X ½ | 2 |
| 22 | 24020 | HANDLE, CONTROL (BLACK) | 2 |
| 23 | 58199 | LOCK ROD ASSEMBLY | 1 |
| 24 | 58386 | SUPPORT BRACKET ASSEMBLY (LH) | 1 |
| 25 | 58385 | SUPPORT BRACKET ASSEMBLY (RH) | 1 |
| 26 | 22912 | COLLAR, 3/8 ID | 6 |
| 27 | 22110 | SET SCREW, ¼ - 20 UNC X ¼ | 10 |
| 28 | 21214 | NUT, HEX, 5/8 - 18 UNF | 2 |
| 29 | 58024 | SWIVEL BLOCK ASSEMBLY | 1 |
| 30 | 22162 | SET SCREW, ¼ - 28 UNF X 5/8 | 1 |
| 31 | 21959 | WASHER, FLAT, 11/16 ID X 1 ½ OD | 2 |
| 32 | 22800 | BEARING RACE, 1 3/8 OD | 2 |
| 33 | 22835 | ROLLER BEARING, 5/8 ID | 2 |
| 34 | 58003 | PEDESTAL ASSEMBLY | 1 |
| 35 | 20222 | BOLT, HEX HEAD, 5/16 - 18 UNC X 1 ¼ | 6 |
| 36 | 58785 | ROTATION LOCK ASSEMBLY | 1 |
| 37 | 22888 | BRASS BUSHING, ½ ID X 5/8 OD | 2 |
| 38 | 58778 | YOKE BLOCK ASSEMBLY | 1 |
| 39 | 58151 | LINKAGE ROD, ½ RD X 3 ½ | 1 |
| 40 | 22250 | SET SCREW, 5/16 - 24 UNF X ½ | 2 |
| 41 | 58183 | ACETAL SPACER, ¼ RD X 1/8 | 1 |
| 42 | 22071 | SCREW, SOCKET HD, 5/16 - 18 UNC X 3/8 | 1 |
| 43 | 24013 | TEE HANDLE | 1 |
| 44 | 58505 | SADDLE BLOCK | 2 |
| 45 | 20199 | BOLT, SOCKET HD, 5/16 - 18 UNC X 1/2, 3/8 X ½ SHOU | 2 |
| 46 | 58642 | LINKAGE FORK ASSEMBLY | 1 |
| 47 | 20202 | BOLT, SOCKET HD, 5/16 - 18 UNC X 5/8 | 2 |
| 48 | 22690 | PIN, CLEVIS, 3/8 X 1 ¼ | 1 |
| 49 | 22676 | PIN, SHEARPROOF, 5/32 X 1 | 1 |
| 50 | 55252 | ROLLER | 1 |
| 51 | 22812 | BEARING, BALL, 3/8 ID | 2 |
| 52 | 58657 | SLIDE ROD ASSEMBLY | 1 |
| 53 | 22073 | SCREW, MACH, FLAT HEAD, 5/16 - 18 UNC X ¾ | 4 |
| 54 | 22857 | BUSHING, NYLON, 1 ¼ ID X 1 ½ | 2 |
| 55 | 24044 | C-CLIP | 2 |
| 56 | 22883 | BUSHING, FLANGE, 3/8 ID X ½ OD X 3/8 OILITE | 2 |
| 57 | 21112 | NUT, HEX, 5/16 - 18 UNC | 2 |
| 58 | 22972 | SCREW, MACH, PAN HD, #6 - 32 NC X ¼ | 2 |
| 59 | 22160 | SET SCREW, ¼ - 28 NF x ¼ | 2 |

SCISSORS FRAME ASS'Y



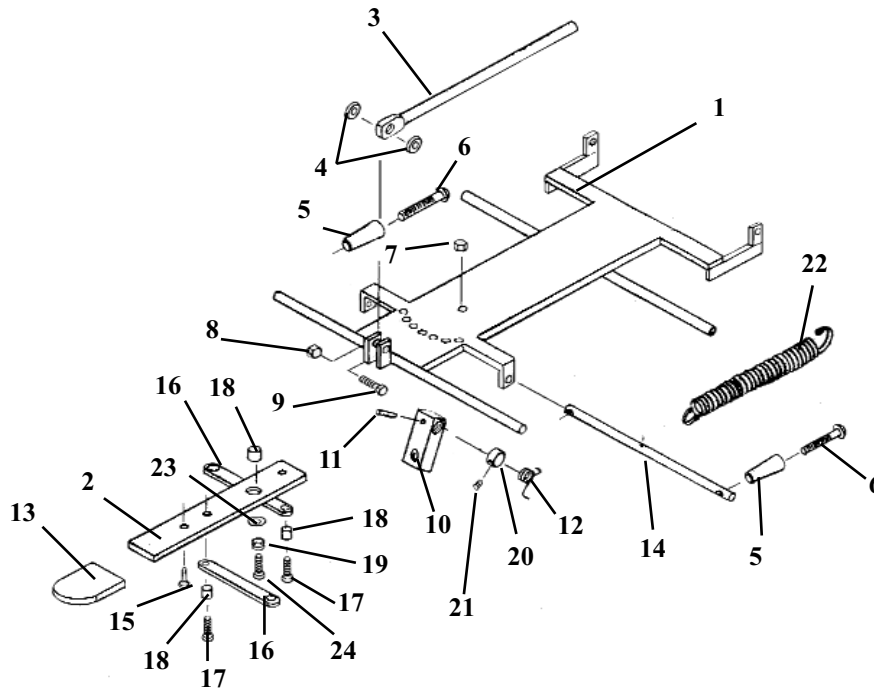
| ITEM | PART NO. | DESCRIPTION | QTY. |
|------|----------|---------------------------------------------|------|
| 1 | 58500 | SCISSORS BRACE FRAME ASS'Y | 1 |
| 2 | 58515 | SCISSORS YOKE FRAME ASS'Y | 1 |
| 3 | 58498 | CYLINDER SUPPORT BLOCK | 1 |
| 4 | 20208 | SOCKET HEAD BOLT, 1/2-13 UNC SHOU 5/8 X 5/8 | 6 |
| 5 | 22792 | BEARING, ROLLER, 5/8 ID | 10 |
| 6 | 20056 | SOCKET HEAD BOLT, 1/4-20 UNC X 2 1/2 | 2 |
| 7 | 58653 | REAR YOKE ASS'Y | 1 |
| 8 | 22230 | SET SCREW, 5/16-18 UNC X 1/4 | 6 |
| 9 | 55989 | SLIDE BLOCK | 2 |
| 10 | 22853 | BUSHING, 1 1/4 ID X 1 3/32 OD X 1 1/4 | 2 |
| 11 | 58677 | GUIDE ROD (RH) | 1 |
| 12 | 20372 | ELEVATOR BOLT, 3/8-16 UNC X 1 1/2 (special) | 1 |
| 13 | 21210 | NUT, HEX, 3/8-16 UNC | 3 |
| 14 | 58680 | SUPPORT PLATE | 1 |
| 15 | 22235 | SET SCREW, SQ. HD. 5/16-18 UNC X 3/4 | 2 |
| 16 | 21910 | WASHER, FLAT, 1/2 ID X 1 OD | 4 |
| 17 | 20560 | HEX.HEAD BOLT, 1/2-13 UNC X 1 3/4 (GR. 5) | 4 |
| 18 | 20412 | ELEVATOR BOLT, 3/8-16 UNC X 3 | 2 |
| 19 | 22231 | SET SCREW, 5/16 - 18 UNC X 3/4 | 2 |
| 20 | 24409 | TOP, RUBBER | 2 |
| 21 | 21110 | NUT, JAM, 5/16-18 UNC | 2 |
| 22 | 21995 | MACHINE SCREW, PAN HEAD, #10-24 UNC X 1/2 | 2 |
| 23 | 57939 | HOSE CLAMP | 1 |
| 24 | 22160 | SET SCREW, 1/4-28UNC X 1/4 | 2 |
| 25 | 21959 | PLASTIC WASHER, .0665 ID X 1 1/2 OD | 2 |
| 26 | 58720 | GUIDE ROD (RH) | 1 |

BASE FRAME ASSEMBLY



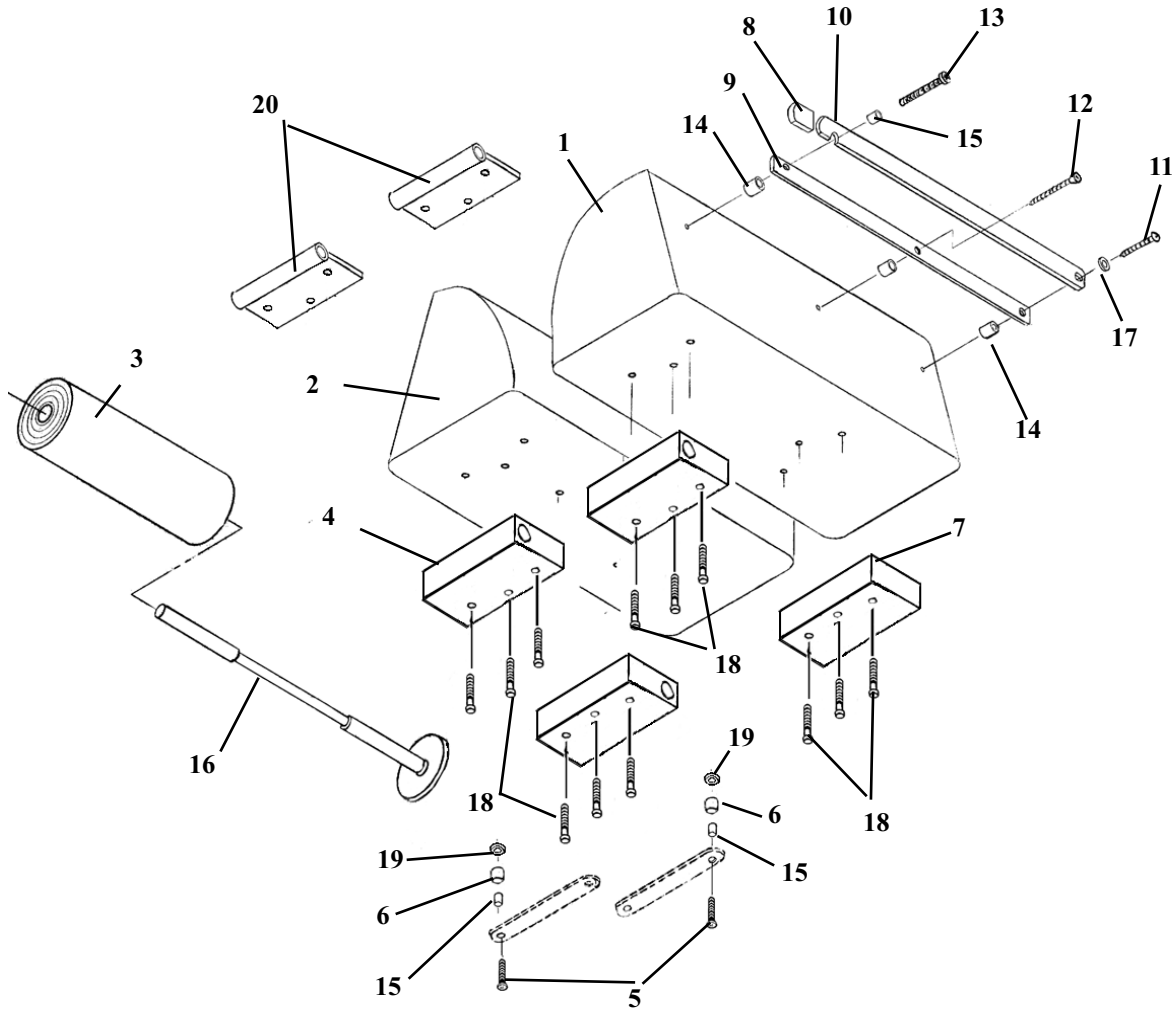
| ITEM | PART NO. | DESCRIPTION | QTY. |
|------|----------|-------------------------------------------------|------|
| 1 | 58672 | FRONT CROSS BAR | 1 |
| 2 | 58671 | MIDDLE CROSS BAR | 1 |
| 3 | 58644 | GUIDE ROD | 2 |
| 4 | 22853 | BUSHING, 1 1/4 ID X 1 13/32 OD | 2 |
| 5 | 55982 | SLIDE BLOCK, 1 1/4 X 2.00 X 2.00 (LH) | 1 |
| 6 | 56113 | WHEEL | 2 |
| 7 | 56114 | BUSHING, 1/2 ID X 5/8 OD | 2 |
| 8 | 21910 | FLAT WASHER, 1/2 X 1 | 2 |
| 9 | 20544 | HEX. HD. BOLT, 1/2-13 UNC X 2 1/2 | 2 |
| 10 | 58649 | YOKE FRAME | 1 |
| 11 | 51709 | FOOT PLATE | 1 |
| 12 | 20373 | ELEVATOR BOLT, 3/8-16 UNC X 1 1/2 | 6 |
| 13 | 21012 | LOCK NUT, 1/4-20 UNC | 2 |
| 14 | 21210 | HEX. NUT, 3/8-16 UNC | 8 |
| 15 | 58460 | SUPPORT PIN, 1/2 RD. X 4 3/8 | 1 |
| 16 | 22889 | FLANGE BUSHING | 2 |
| 17 | 58640 | ROCKER YOKE ASS'Y | 1 |
| 18 | 22110 | SET SCREW, 1/4-20 UNC X 1/4 | 2 |
| 19 | 20332 | HEX. HD. BOLT 3/8-16 UNC X 1 | 2 |
| 20 | 56770 | ARROW SUPPORT ASS'Y | 2 |
| 21 | 40711 | FOOT PLATE PAD, RUBBER, NON-SKID, 12 X 17 15/16 | 1 |
| 22 | 22013 | SCREW, MACH, BUTTON SOC HD, 1/4-20 UNC X 1/2 | 6 |
| 23 | 21860 | WASHER | 2 |
| 24 | 56774 | SPACER | 2 |
| 25 | 24409 | RUBBER CUSHION | 2 |
| 26 | 20022 | HEX. HD. BOLT, 1/4-20 UNC X 1 | 2 |
| 27 | 22230 | SET SCREW, 5/16-18 UNC X 1/4 | 4 |
| 28 | 22231 | SET SCREW, 5/16-18 UNC X 3/4 | 2 |
| 29 | 22280 | SET SCREW, 3/8-16 UNC X 1/4 | 2 |
| 30 | 55989 | SLIDE BLOCK (RH) | 1 |

DELUXE HEAD FRAME ASS'Y



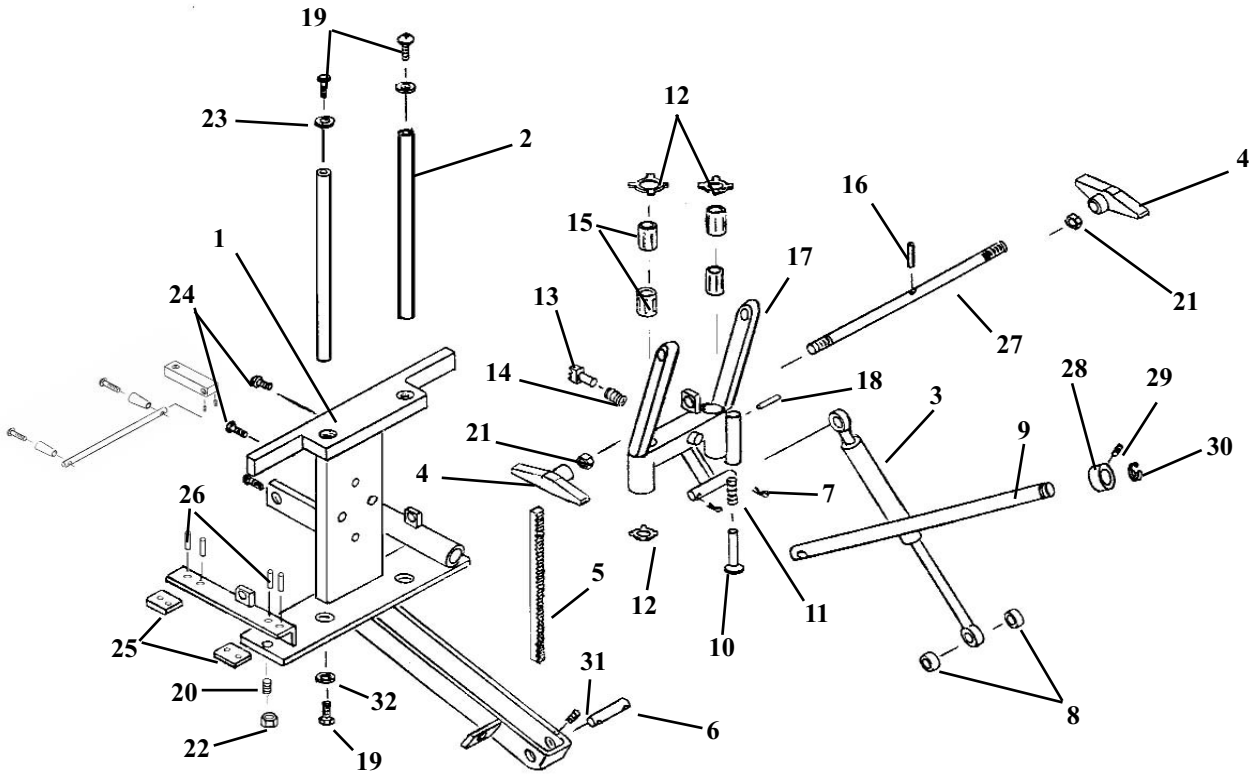
| ITEM | PART NO. | DESCRIPTION | QTY. |
|------|----------|---------------------------------------------------|------|
| 1 | 56051 | FASTER PLATE ASS'Y | 1 |
| 2 | 57221 | ADJUSTMENT ARM | 1 |
| 3 | 55929 | CENTER BAR | 1 |
| 4 | 21616 | PLASTIC FLAT WASHER, ¼ ID X ¾ OD | 2 |
| 5 | 24020 | HANDLE | 2 |
| 6 | 22050 | RD. HD. MACHINE SCREW, ¼-20 UNC X 2 ½ | 2 |
| 7 | 21450 | HEX. NUT, #10-24 UNC | 1 |
| 8 | 21020 | HEX. NUT, ¼-28 UNF | 1 |
| 9 | 20115 | HEX. HD. BOLT, ¼-28 UNF X 1.00 | 1 |
| 10 | 54107 | ADJUSTMENT BLOCK | 1 |
| 11 | 22670 | ROLL PIN, 1/8RD. X ¾ | 1 |
| 12 | 30870 | TROSION SPRING | 1 |
| 13 | 24236 | PLASTIC CAP | 1 |
| 14 | 57205 | ADJUSTMENT ROD, 7/16 RD. X 9 5/8 | 1 |
| 15 | 22300 | RD. HD. MACHINE SCREW, #8-32 UNC X ¼ | 1 |
| 16 | 57175 | LINKAGE BAR, 1/8 X ½ X 3 9/16 | 2 |
| 17 | 21995 | PAN HD. MACHINE SCREW, #10-24 UNC X ½ | 3 |
| 18 | 22860 | BUSHING, .3/16 ID X 1/4 OD X 0.160 | 3 |
| 19 | 30722 | COMPRESSION SPRING, .235 ID X .5/16 OD X ½ | 1 |
| 20 | 22912 | COLLAR, 3/8 ID | 1 |
| 21 | 22110 | SET SCREW, ¼-20 UNC X ¼ | 1 |
| 22 | 30785 | TENSION SPRING, ½ ID X 5/8 OD X 7 1/8 (HYLO ONLY) | 1 |
| 23 | 21610 | WASHER, .26 ID X ½ OD | 1 |
| 24 | 22003 | PAN HE. MACHINE SCREW, #10-24 UNC X 3/4 | 1 |

DELUXE HEAD CUSHION ASS'Y



| ITEM | PART NO. | DESCRIPTION | QTY |
|------|----------|-------------------------------------------------|-----|
| 1 | 40110 | CUSHION, HEAD - LEFT HAND | 1 |
| 2 | 40130 | CUSHION, HEAD - RIGHT HAND | 1 |
| 3 | 29999 | HEADREST PAPER | 1 |
| 4 | 30400 | BLOCK, SLIDE, FRONT, FWD DROP HEAD | 2 |
| 5 | 22009 | OVAL HD. MACHINE SCREW, #10-24 NC X 1 1/2 | 2 |
| 6 | 57174 | SPACER, 3/16 ID X 1/2 OD X 5/8 | 2 |
| 7 | 30401 | BLOCK, SLIDE, REAR, FWD DROP HEAD | 2 |
| 8 | 24235 | GUARD, CUTTING BAR | 1 |
| 9 | 50750 | INSIDE CUTTING BAR | 1 |
| 10 | 50770 | OUTSIDE CUTTING BAR | 1 |
| 11 | 22550 | RD. HD. WOOD SCREW #14 X 2.00 | 1 |
| 12 | 22510 | FLAT HD. WOOD SCREW, #9 X 1 1/2 | 1 |
| 13 | 22522 | RD. HD. WOOD SCREW, #9 X 2.00 | 1 |
| 14 | 50720 | SPACER, PAPER CUTTER, 3/8 ID X 1/2 OD | 3 |
| 15 | 22860 | BUSHING, 3/16 ID X 1/4 OD X 0.16 | 2 |
| 16A | 50779 | OUTSIDE PAPER ROD | 1 |
| 16B | 50778 | PAPER HANGER ASS'Y, w/ Washer (FOR TILT TABLES) | 1 |
| 17 | 21610 | FLAT WASHER, 3/16 ID X 1/2 OD | 1 |
| 18 | 22003 | OVAL HD. MACHINE SCREW, #10 - 24 NC X 3/4 | 12 |
| 19 | 21510 | FLAT WASHER, 3/16 ID X 1/2 OD | 2 |
| 20 | 57155 | GUIDE TUBE ASS'Y, (STRAIGHT DROP HEAD) | 2 |

I-FRAME ASSEMBLY DELUXE & FROWARD MOTION HEAD

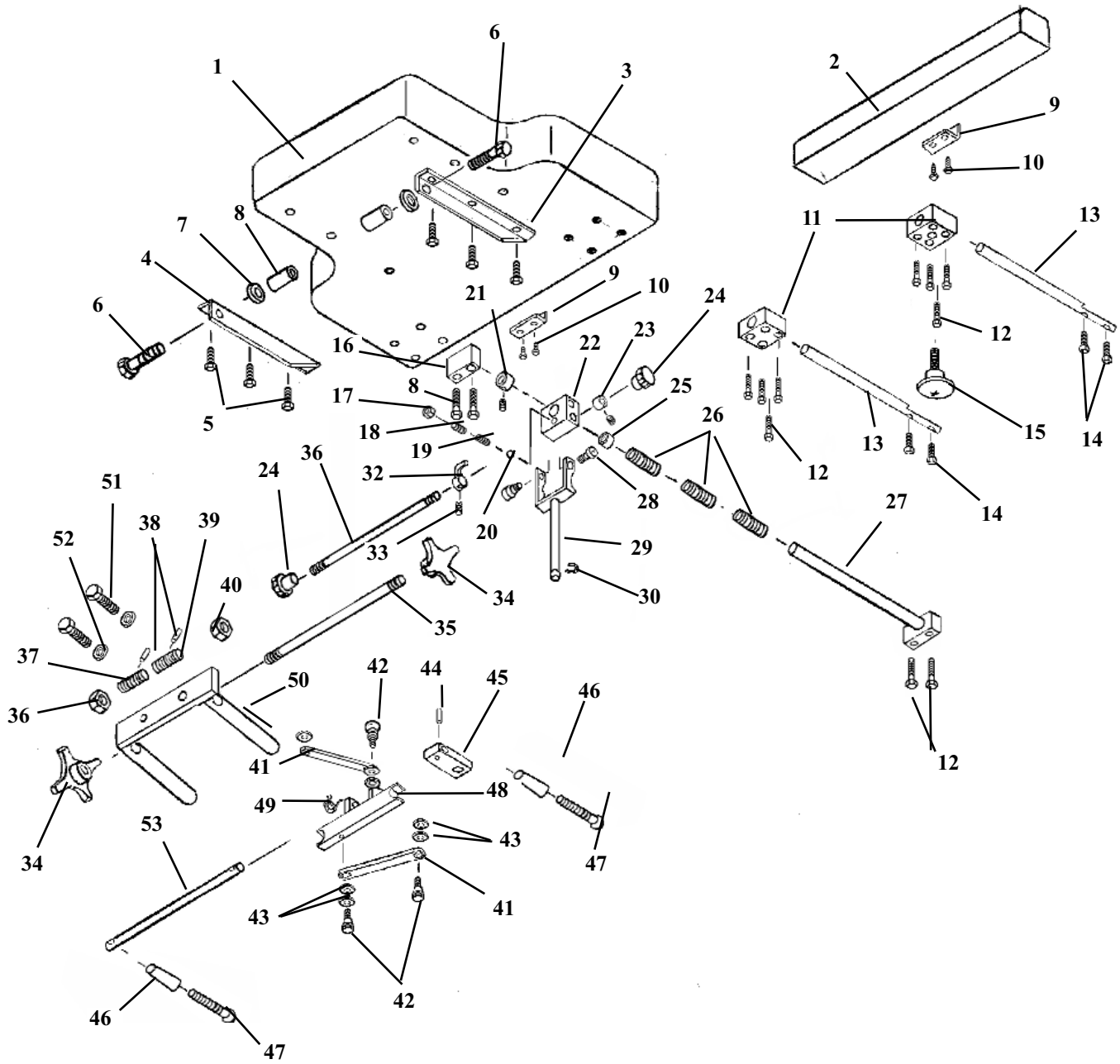


I-FRAME ASSEMBLY

DELUXE & FROWARD MOTION HEAD

| ITEM | PART NO. | DESCRIPTION | QTY. |
|------|----------|----------------------------------------|------|
| 1 | 55941 | I-FRAME ASS'Y | 1 |
| 2 | 50872 | GUIDE ROD, ½ RD. X 7 7/8 | 2 |
| 3A | 30296 | PRESSURE CYLINDER, F/M 89, 50# | 1 |
| 3B | 30297 | PRESSURE CYLINDER, DELUXE HD. 40# | 1 |
| 4 | 24186 | TENSION KNOB | 2 |
| 5 | 56019 | GEAR RACK | 1 |
| 6 | 56002 | SUPPORT PIN, 5/16 RD. X 1 7/16 | 1 |
| 7 | 22640 | COTTER PIN, 3/32 X 1.00 | 4 |
| 8 | 56006 | SPACES, 3/8 ID X ½ OD X 3/16 | 2 |
| 9 | 54108 | ROD, TILT LOCK | 1 |
| 10 | 55959 | PLUNGER ASS'Y | 1 |
| 11 | 30740 | COMPRESSION SPRING, 5/16 ID X 4 ¾ | 1 |
| 12 | 24050 | SPRING CLIPS | 4 |
| 13 | 56064 | LOCK PIN ASS'Y, FM & DX Head | 1 |
| 14 | 30750 | COMPRESSION SPRING, 9/32 ID X ¾ | 1 |
| 15 | 22891 | BUSHING, ½ ID X 1.00, | 8 |
| 16 | 22675 | ROLL PIN, 1/8 X ¾ | 2 |
| 17 | 56045 | SHUTTLE ASS'Y, F/M & DX Head | 1 |
| 18 | 22670 | ROLL PIN, 1/8 X ¾ | 1 |
| 19 | 22013 | SOCKET HD. MACHINE SCREW, ¼-20 UNC X ½ | 2 |
| 20 | 22233 | SET SCREW, 5/16-18 UNC X 5/8 BRASS | 1 |
| 21 | 21210 | HEX NUT, 3/8-16 UNC | 2 |
| 22 | 21110 | JAM NUT 5/16-18 UNC | 1 |
| 23 | 21620 | FLAT WASHER, ¼ ID | 2 |
| 24 | 21976 | PAN HD. MACHINE SCREW, #6-32 UNC X ¾ | 3 |
| 25 | 55944 | SLIDE PLA | 4 |
| 26 | 22657 | ROLL PIN 1/8 X ¾ | 4 |
| 27 | 55949 | LOCK ROD, 3/8 RD. X 13 | 1 |
| 28 | 22913 | SET COLLAR, ½ ID | 1 |
| 29 | 22110 | SET SCREW, ¼-20 UNC X ¼ | 1 |
| 30 | 24285 | SNAP RING, ½ | 1 |
| 31 | 22090 | SET SCREW, #10-32 UNC X 3/16 | 1 |
| 32 | 21630 | STAR WASHER, ¼ | 2 |

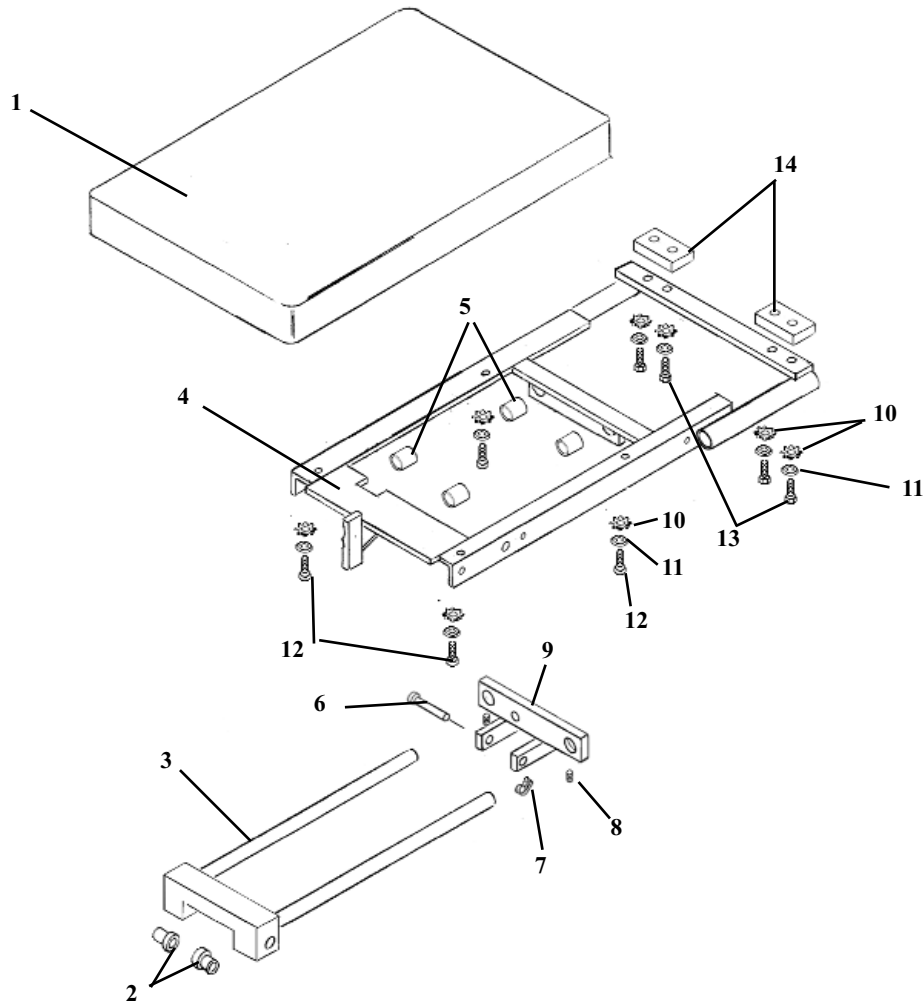
CHEST CUSHION ASS'Y SPRING BREAKAWAY



CHEST CUSHION ASSEMBLY SPRING BREAKAWAY

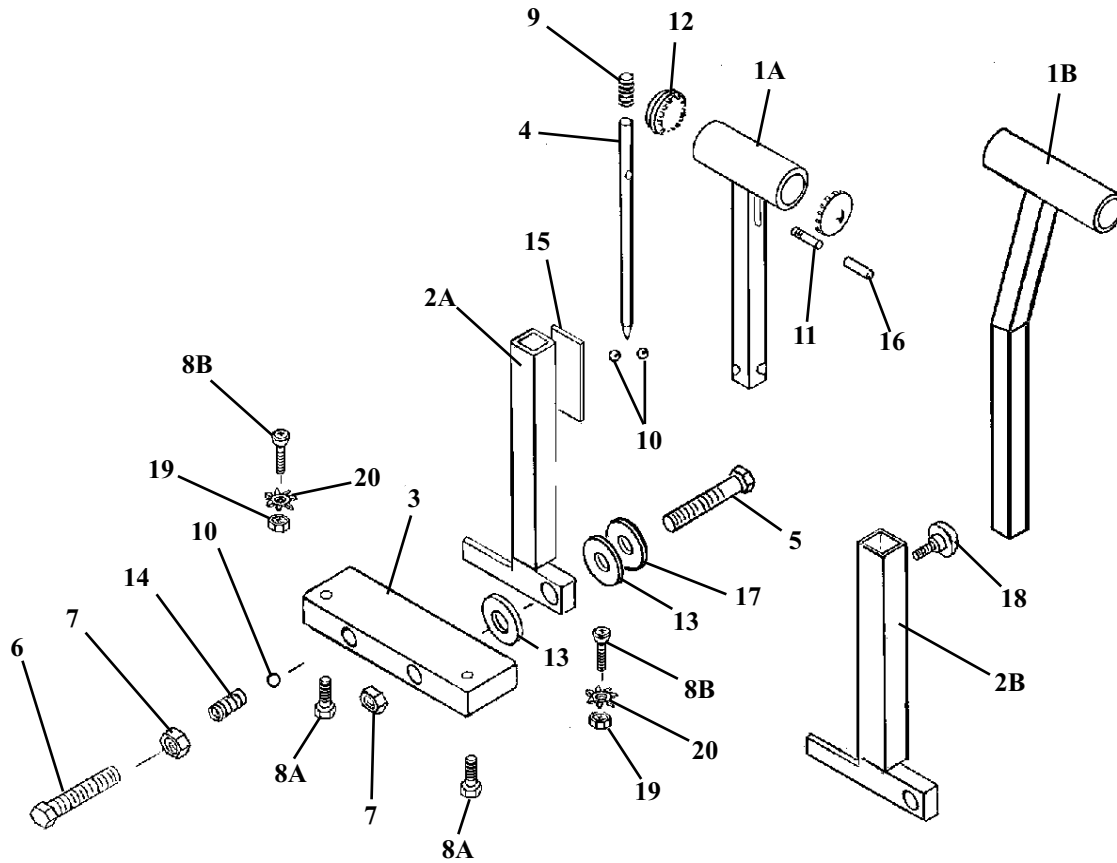
| ITEM | PART NO. | DESCRIPTION | QTY. |
|------|----------|-----------------------------------------------------|------|
| 1A | 40210 | CUSHION, CHEST - STANDARD | 1 |
| 1B | 40230 | CUSHION, CHEST - WIDE | 1 |
| 2A | 40290 | CUSHION, EXTENSION - STANDARD | 1 |
| 2B | 40291 | CUSHION, EXTENSION - WIDE | 1 |
| 3 | 51010 | BRACE, CUSHION (LH) | 1 |
| 4 | 51030 | BRACE, CUSHION (RH) | 1 |
| 5 | 20022 | BOLT, HEX HEAD, ¼ - 20 NC X 1 | 6 |
| 6 | 20361 | BOLT, HEX HEAD, 3/8 - 16 NC X 1 ¾ | 2 |
| 7 | 21850 | WASHER, FLAT, PLASTIC, 3/8 ID X 1 OD | 2 |
| 8 | 55945 | SPACER, EXTENSION, I-FRAME, 3/8 ID X 5/8 OD X 1 1/8 | 2 |
| 9 | 56202 | GUARD, CUSHION | 2 |
| 10 | 22468 | SCREW, SHEET METAL, #10 X 7/8 | 4 |
| 11 | 57385 | GUIDE BLOCK | 2 |
| 12 | 20052 | BOLT, HEX HEAD, ¼ - 20 NC X 1 ¾ | 10 |
| 13 | 57384 | SLIDE ROD | 2 |
| 14 | 20023 | BOLT, HEX HEAD, ¼ - 20 NC X 1 ¼ | 4 |
| 15 | 24181 | KNOB, STABILIZER, ANKLE SLIDE | 1 |
| 16 | 51110 | SUPPORT BLOK | 1 |
| 17 | 21012 | NUT, JAM, ¼ - 20 NC | 1 |
| 18 | 22120 | SET SCREW, ¼ - 20 NC X ½ | 1 |
| 19 | 30715 | SPRING, COMPRESSION, 3/16 ID X 5/32 OD | 1 |
| 20 | 22702 | BALL, STEEL, 3/16 DIA | 1 |
| 21 | 22940 | COLLAR, 5/8 ID X 1 3/32 OD | 1 |
| 22 | 51090 | YOKE BLOCK | 1 |
| 23 | 22922 | COLLAR, 5/16 ID X 5/8 OD | 1 |
| 24 | 24150 | KNOB, LOCK | 2 |
| 25 | 22854 | BUSHING, 5/8 ID X 23/32 OD | 1 |
| 26 | 30793 | SPRING, COMPRESSION, 11/16 ID X 15/16 OD X 3 1/8 | 3 |
| 27 | 51068 | SUPPORT ROD ASSEMBLY | 1 |
| 28 | 20197 | BOLT, SOCKET HD, 5/16 - 18 NC SHOU 3/8 X 3/8 | 2 |
| 29 | 56190 | FORK ASS'Y | 1 |
| 30 | 24286 | SNAP RING, 9/16 | 1 |
| 31 | 51150 | LOCK ROD, 5/16 RD X 13 9/16 | 1 |
| 32 | 50570 | LOCK PIN ASS'Y | 1 |
| 33 | 22090 | SET SCREW, #10 - 32 NF X 3/16 | 2 |
| 34 | 24154 | KNOB, ADJUSTMENT | 2 |
| 35 | 51057 | ROD, ADJUSTMENT, 3/8 RD X 7 ¼ | 1 |
| 36 | 51064 | NUT, ADJUSTMENT (RH), 5/8 ACME THD | 1 |
| 37 | 51058 | WORM SCREW (RH), 5/8 ACME THD | 1 |
| 38 | 22675 | ROLL PIN, 1/8 X ¾ | 2 |
| 39 | 51059 | WORM SCREW (LH), 5/8 ACME THD | 1 |
| 40 | 51063 | NUT, ADJUSTMENT (LH), 5/8 ACME THD | 1 |
| 41 | 51067 | ARM, LINKAGE, ¼ X ½ X 3 ½ | 2 |
| 42 | 20002 | BOLT, SOCKET HD, ¼ - 20 NC SHOU 5/16 X 3/8 | 4 |
| 43 | 21760 | WASHER, PLASTIC, 0.315 ID X ½ OD X 0.032 | 8 |
| 44 | 22660 | ROLL PIN, 1/8 X 5/8 | 1 |
| 45 | 57737 | BLOCK, ADJUSTMENT | 1 |
| 46 | 24020 | HANDLE | 2 |
| 47 | 22050 | SCREW, MACH, ROUND HD, ¼ - 20 NC X 2 ½ | 2 |
| 48 | 51075 | SLIDE BRACKET ASS'Y | 1 |
| 49 | 30870 | TORSION SPRING | 1 |
| 50 | 51074 | C - FRAME ASS'Y | 1 |
| 51 | 20332 | BOLT, HEX HEAD, 3/8 - 16 NC X 1 | 2 |
| 52 | 21820 | WASHER, STAR, 3/8 ID X 11/16 OD | 2 |
| 53 | 51230 | ROD, ADJUSTMENT | 1 |

T-PELVIC ASSEMBLY NON-ROTATION



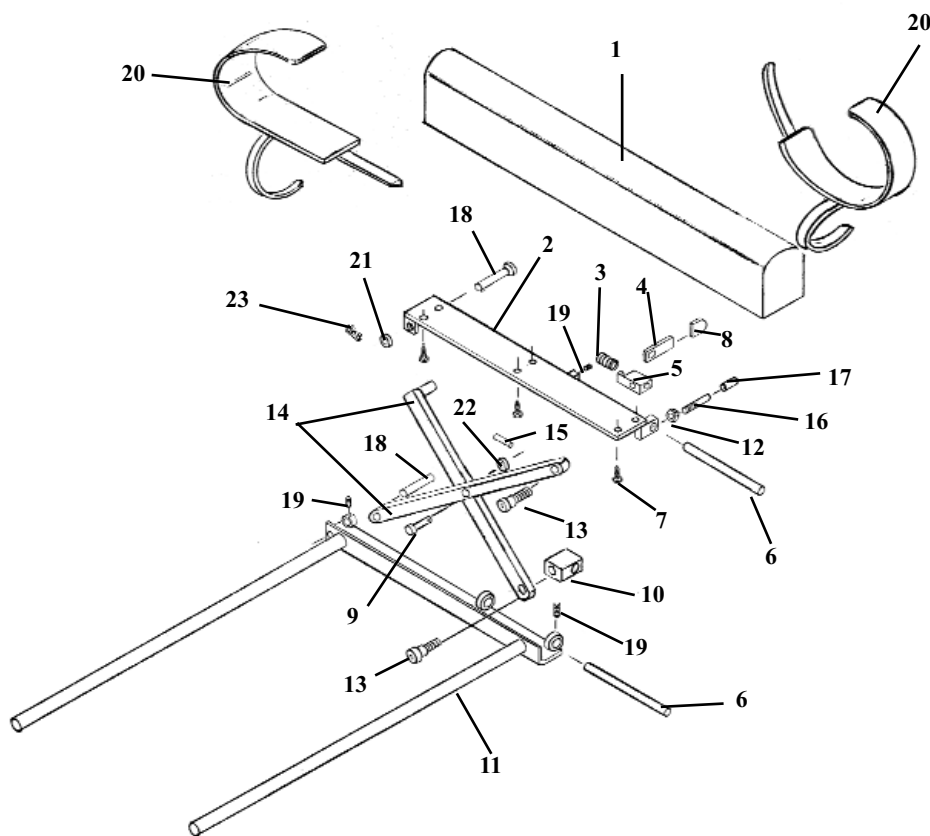
| ITEM | PART NO. | DESCRIPTION | QTY. |
|------|----------|---------------------------------------|------|
| 1 | 40292 | PELVIC CUSHION ASS'Y | 1 |
| 2 | 22888 | CAP BUSHING, BRASS | 2 |
| 3 | 58542 | GUIDE FRAME ASS'Y | 1 |
| 4 | 58527 | CARRIAGE FRAME ASS'Y | 1 |
| 5 | 22850 | BUSHING, NYLON, 3/4 ID X 7/8 OD X 3/4 | 4 |
| 6 | 22615 | CLEVIS PIN, 5/16 X 2 | 1 |
| 7 | 22639 | COTTER PIN, 3/32 X 1/2 | 1 |
| 8 | 22250 | SET SCREW, 5/16-24 UNF X 1/2 | 3 |
| 9 | 58594 | SLIDE BRACKET ASS'Y | 1 |
| 10 | 21620 | WASHER, FLAT, 1/4 ID X 9/16 OD | 8 |
| 11 | 21630 | STAR WASHER, 1/4 ID | 8 |
| 12 | 20021 | BOLT, SOCKET HD. 1/4-20 UNC X 1 | 4 |
| 13 | 20023 | BOLT, HEX HD. 1/4-20 UNC X 1 1/4 | 4 |
| 14 | 53264 | SPACER, 3/8 X 1 1/4 X 2 3/8 | 2 |

T-BAR ASSEMBLY



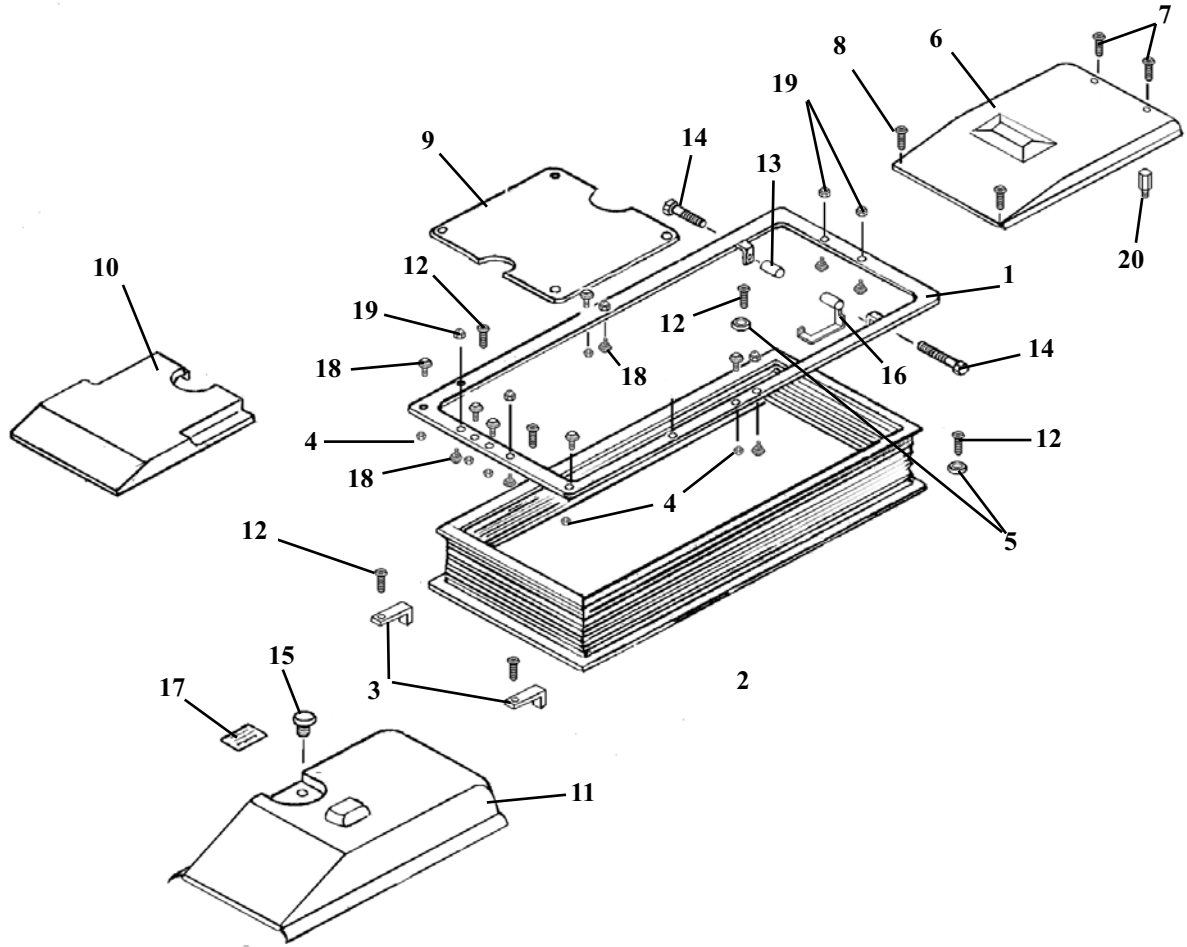
| ITEM | PART NO. | DESCRIPTION | QTY. |
|------|----------|----------------------------------------------------------|------|
| 1A | 58406 | T-HANDLE, (SHORT) | 1 |
| 1B | 58405 | T-HANDLE, (ANGLED) | 1 |
| 2A | 58400 | GUIDE TUBE, (SHORT) | 1 |
| 2B | 58398 | GUIDE TUBE, (ANGLED T-BAR) | 1 |
| 3 | 58411 | MOUNTING BLOCK | 1 |
| 4 | 58405 | LOCK ROD | 1 |
| 5 | 20507 | HEX HD. BOLT, 7/16-14 UNC X 3 1/4 | 1 |
| 6 | 20503 | HEX HD. BOLT, 7/16-14 UNC X 1 1/4 | 1 |
| 7 | 21290 | HEX NUT, 7/16-14 UNC | 2 |
| 8A | 20054 | HEX HD. BOLT, 1/4-20 UNC X 2 (STD. PELVIC) | 2 |
| 8B | 22036 | SOCKET HD. MACHINE SCREW, 1/20 UNC X 1 1/4 (DROP PELVIC) | 2 |
| 9 | 30732 | COMPRESSION SPRING, 1/4 ID X 1 3/8 | 1 |
| 10 | 22700 | STEEL BALL, 3/8 | 3 |
| 11 | 52190 | COCKING PEG, 1/4 RD. X 1 3/4 | 1 |
| 12 | 24413 | CAP | 2 |
| 13 | 21912 | FLAT WASHER, PLASTIC, 1/2 ID X 1 1/4 OD | 2 |
| 14 | 30721 | COMPRESSION SPRING | 1 |
| 15 | 31160 | STICKER | 1 |
| 16 | 24415 | CAP, PLASTISOL | 2 |
| 17 | 21910 | FLAT WASHER, 1/2 ID X 1 OD | 1 |
| 18 | 24181 | LOCK KNOB | 1 |
| 19 | 21010 | HEX NUT, 1/4-20 UNC (DROP PELVIC) | 2 |
| 20 | 21630 | STAR WASHER, 1/4 ID | 2 |

ANKLE REST ADJUSTABLE HEIGHT



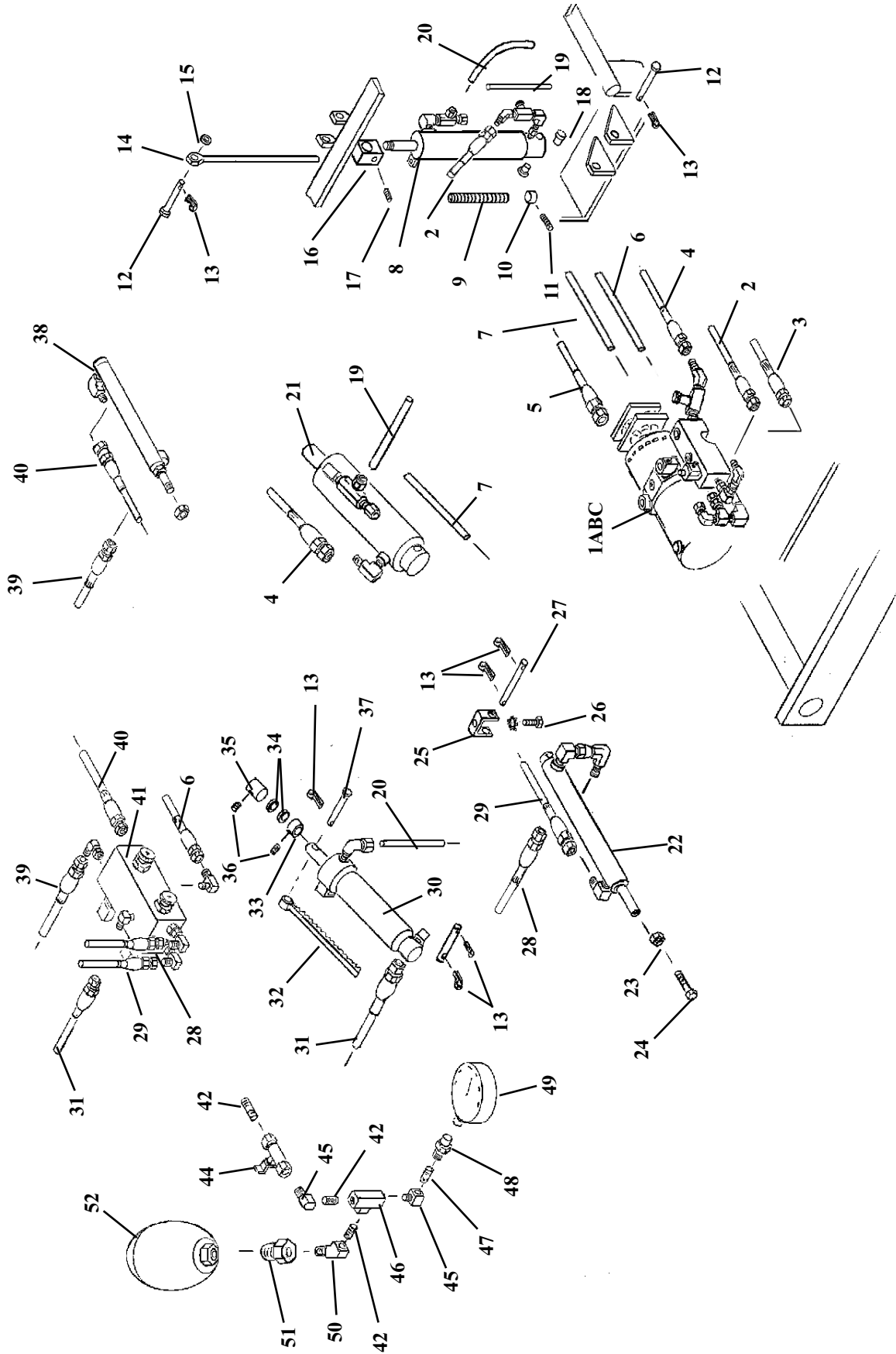
| ITEM | PART NO. | DESCRIPTION | QTY. |
|------|----------|--------------------------------------------|------|
| 1 | 40410 | ANKLE REST CUSHION | 1 |
| 2 | 56507 | BASE PLATE | 1 |
| 3 | 30774 | COMPRESSION SPRING | 1 |
| 4 | 56519 | LOCK HANDLE | 1 |
| 5 | 56525 | GUIDE BLOCK | 1 |
| 6 | 56518 | GUIDE ROD | 2 |
| 7 | 22468 | SCREW, WOOD, RD HEAD, #10 X 7/8 | 6 |
| 8 | 24236 | GUARD, TEE HANDLE | 1 |
| 9 | 22610 | PIN, CLEVIS, 5/16 X 7/8 | 1 |
| 10 | 56539 | GUIDE BLOCK | 1 |
| 11 | 54203 | SLIDE FRAME ASS'Y | 1 |
| 12 | 21010 | NUT, HEX, 1/4 - 20 UNC | 1 |
| 13 | 20002 | BOLT, SOCKET, SHOULDER, 1/4 - 20 UNC X 3/4 | 2 |
| 14 | 56512 | LINKAGE ARM ASSEMBLY | 2 |
| 15 | 22660 | ROLL PIN, 1/8 X 5/8 | 2 |
| 16 | 52190 | EXTENSION ROD | 1 |
| 17 | 24415 | PLASTIC CAP | 1 |
| 18 | 22615 | PIN, CLEVIS, 5/16 X 2 | 2 |
| 19 | 22110 | SET SCREW, 1/4 - 20 UNC X 1/4 | 3 |
| 20 | 697550 | STRAP, ANKLE (PAIR) | 1 |
| 21 | 21710 | WASHER, FLAT, 5/16 ID | 1 |
| 22 | 21760 | WASHER, FLAT, PLASTIC, 0.315 ID X 1/2 OD | 1 |
| 23 | 22640 | COTTER PIN | 1 |

COVER & BELLOWS ASSEMBLY



| ITEM | PART NO. | DESCRIPTION | QTY. |
|------|----------|-----------------------------------------|------|
| 1 | 58665 | TOP BELLOWS FRAME | 1 |
| 2 | 699220 | BELLOWS COVER | 1 |
| 3 | 58758 | COVER CLAMP | 2 |
| 4 | 21420 | HEX NUT, #8-32UNC | 8 |
| 5 | 21510 | FLAT WASHER, 3/16ID | 2 |
| 6 | 699230 | ELECTRICAL COVER | 1 |
| 7 | 21979 | PAN HD SCREW, #6-32UNC X 5/8 | 2 |
| 8 | 22450 | RD HD SCREW, #8 x 5/8 | 2 |
| 9 | 697335 | CYLINDER COVER | 1 |
| 10 | 699235 | ACCUMULATOR COVER | 1 |
| 11 | 699225 | MOTOR COVER | 1 |
| 12 | 21995 | PAN HD. MACHINE SCREW, #10-24UNC X 1/2 | 2 |
| 13 | 58628 | SPACER, 3/8ID X 1/2OD X 1 1/8 | 1 |
| 14 | 20052 | HEX HD. BOLT, 1/4-20UNC X 1 3/4 | 2 |
| 15 | 36970 | VENT CAP | 1 |
| 16 | 58600 | SWITCH BRACKET ASSEMBLY | 1 |
| 17 | 31154 | CAUTION STICKER | 1 |
| 18 | 22605 | SNAP BUTTONS | 14 |
| 19 | 21105 | CAP NUTS, #8-32 | 6 |
| 20 | 37900 | HEX SPACER, MALE-FEMALE, #6-32UNC X 1/2 | 2 |

HYDRAULICS



HYDRAULICS

| ITEM | PART NO. | DESCRIPTION | QTY. |
|------|----------|--------------------------------------------------------------|------|
| 1A | 623445 | PUMP, MOTOR & BLOCK ASS'Y (Non- Auto) | 1 |
| 1B | 623446 | PUMP, MOTOR & BLOCK ASS'Y (Auto Drop & Auto Flexion) | 1 |
| 1C | 623451 | PUMP, MOTOR & BLOCK ASS'Y (Auto Drop w/o Auto Flexion) | 1 |
| 2 | 45530 | HOSE, HYDRAULIC, ¼" X 50 (Tilt Cylinder) | 1 |
| 3 | 45366 | HOSE, HYDRAULIC, 3/16 X 56 ½ (Flexion Block) | 1 |
| 4 | 45250 | HOSE, HYDRAULIC, 3/16 X 16 ¼ (Elevation Cylinder) | 1 |
| 5 | 45373 | HOSE, HYDRAULIC, 3/16 X 62 (Selector Valve) (Auto Drop Only) | 1 |
| 6 | 23643 | HOSE, LEGRIS, ¼ X 61 (To Flexion Block) | 1 |
| 7 | 23630 | HOSE, LEGRIS, ¼ X 25 (To Elevation Cylinder) | 1 |
| 8 | 624731 | CYLINDER, TILT | 1 |
| 9 | 30782 | SPRING, COIL, ½ ID X 31/32 OD X 6 | 1 |
| 10 | 56971 | COLLAR, SPRING RETAINING, 7/16" BEVELED | 1 |
| 11 | 20007 | BOLT, HEX HEAD, ¼ - 20 NC X 5/8 | 2 |
| 12 | 22679 | PIN, CYLINDER, ½ X 3 ½ | 2 |
| 13 | 22640 | PIN, COTTER | 7 |
| 14 | 56950 | EYE-ROD, 7/16 X 14 | 1 |
| 15 | 52150 | SPACER, STEEL, 0.506 ID X 5/8 OD X 3/8 | 1 |
| 16 | 56970 | BLOCK, TILT CYLINDER, ¼ X 1 ¼ X 1 ¼ | 1 |
| 17 | 22116 | SET SCREW, ¼ - 28 NF X ½ - NYLON TIP | 1 |
| 18 | 22886 | BUSHING, OILITE, ½ X 5/8 X 1 | 2 |
| 19 | 23637 | HOSE, LEGRIS, ¼ X 36 ½ (Elevation Cylinder to Tilt Cylinder) | 1 |
| 20 | 23630 | HOSE, LEGRIS, ¼ X 25 ½ (Tilt Cylinder to Flexion Cylinder) | 1 |
| 21 | 624941 | CYLINDER, ELEVATION | 1 |
| 22 | 624911 | CYLINDER, CHEST EXTENSION W/DOUBLE U-CUP | 1 |
| 23 | 56006 | SPACER, 3/8 ID X ½ OD | 1 |
| 24 | 20222 | BOLT, HEX HEAD, 5/16 - 18 NC X 1 ¼ | 1 |
| 25 | 58617 | U-BRACKET, EXTENSION CYLINDER | 1 |
| 26 | 20210 | BOLT, HEX HEAD, 5/16 - 18 NC X ½ | 1 |
| 27 | 58085 | PIN, LINKAGE, 3/8 X 2 7/16 | 1 |
| 28 | 45298 | HOSE, HYDRAULIC, 3/16 X 27 1/2 (Chest Retraction) | 1 |
| 29 | 45250 | HOSE, HYDRAULIC, 3/16 X 16 ½ (Chest Extension) | 1 |
| 30 | 624920 | CYLINDER, FLEXION | 1 |
| 31 | 45282 | HOSE, HYDRAULIC, ¼ X 13 (Flexion Cylinder) | 1 |
| 32 | 58673 | GUIDE RACK ASS'Y | 1 |
| 33 | 22913 | COLLAR, SET, ½" | 1 |
| 34 | 21910 | WASHER, FLAT, ½ ID X 1 OD | 2 |
| 35 | 58202 | COLLAR, PELVIC FLEXION, ½ ID X 1 OD X 1 1/8 | 1 |
| 36 | 22109 | SET SCREW, ¼ - 20 NC X ¼ - BRASS TIP | 1 |
| 37 | 22620 | PIN, SUPPORT, 5/16 X 2 ¾ | 1 |
| 38 | 624912 | CYLINDER, PELVIC, EXTENSION / RETRACTION | 1 |
| 39 | 45306 | HOSE, HYDRAULIC, 3/16 X 35 ½ (Pelvic Retraction) | 1 |
| 40 | 45298 | HOSE, HYDRAULIC, 3/16 X 29 (Pelvic Extension) | 1 |
| 41 | 23537 | BLOCK, CONTROL VALVE | 1 |
| 42 | 23360 | NIPPLE, ¼ X 1 ½ | 2 |
| 43 | 23560 | VALVE, BALL | 1 |
| 44 | 58664 | HANDLE, CONTROL | 1 |
| 45 | 23160 | FITTING, 90 DEG, ¼" STREET | 2 |
| 46 | 23250 | FITTING, TEE, ¼" FEMALE | 1 |
| 47 | 23370 | NIPPLE, PIPE, ¼ X 3 | 1 |
| 48 | 23050 | COUPLER, FEMALE, ¼" | 1 |
| 49 | 24480 | GAUGE, PRESSURE | 1 |
| 50 | 23105 | FITTING, 45 DEG, ¼" | 1 |
| 51 | 23461 | ADAPTER, ACCUMULATOR | 1 |
| 52 | 23459 | ACCUMULATOR, BLACK | 1 |

ULTIMATE HYDRAULIC ASSEMBLIES

623445 - Non - Auto Pump, Motor & Block Assembly

30495 - Pump & Motor, 115 v # 23130 - Fitting, 90 Degree, 1/8 Male - Female # 23155 - Fitting, 90 Degree, More # 4 - 1/4
23336 - Nipple, Pipe, 5" # 23109 - Fitting, 90 Degree, #4 - JIC Swivel # 23571 - Valve, Double Poppet
23132 - Fitting, 90 Degree, Female - Female # 23085 - Fitting, Straight, #4 - 1/8 Pipe
23210 - Fitting, Male Run Tee, 1/8 # 23095 - Fitting, 45 Deg, 1/8 Female - Male # 23090 - Fitting, 45 Degree, 1/8 Stra - JIC
36012 - Coil (4) # 23032 - Coupler, Male Comp, 1/8 x 1/4 # 23570 - Valve, Flow, Adjustable
23564 - Mono Block # 23129 - Fitting, 90 Degree, 1/8 NPT to 1/4 # 23310 - Nipple, Pipe, 1/8 Close
23407 - Plus #8 Cavity
23526 - Valve, Release, Manual Override
23505 - Valve, Double Poppet, Manual Override

623446 - Auto Drops w/Auto Flexion, Pump, Motor & Block Assembly

23519 - Valve, 4 - Way, 2 - Position w/Motor Center plus parts shown for # 623445, Non - Auto Pump, Motor & Bloc Ass'y
36012 - Coil, 24-Volt, Single Stud # 23040 - Coupler, Male, 1/8 JIC

623451 - Auto Drops w/o Auto Flexion, Pump, Motor & Block Assembly

23518 - Valve, 4 - Way, 2 - Position w/Cross Over Center plus parts shown for # 623445, Non - Auto Pump, Motor & Bloc Ass'y
36012 - Coil, 24-Volt, Single Stud # 23040 - Coupler, Male, 1/8 JIC

624731 - Tilt Cylinder Assembly

56942 - Tilt Cylinder # 23310 - Nipple, Pipe, 1/8" # 23130 - Fitting, 90 Deg, 1/8 Male - Female
23570 - Valve, Flow, Adjustable # 23090 - Fitting, 45 Deg, 1/8 Male - JIC # 23161 - Fitting, 90 Deg, 1/4 Street to 1/8 Female
23209 - Fitting, Tee, Male Run Comp, 1/4 Tube - 1/8 Pipe

624941 - Elevation Cylinder Assembly

30275 - Cylinder, Elevation # 23110 - Fitting, 90 Deg, 1/8 Male - JIC # 23130 - Fitting, 90 Deg, 1/8 Male - Female
23209 - Tee, Male Run Comp, 1/4 Tube - 1/8 Pipe

624911 - Chest Extension / Retraction Cylinder

56952 - Chest Extension Cylinder # 23110 - Fitting, 90 Deg, 1/8 Male - JIC # 50789 - Fitting, Ult, Front Chrome
23040 - Coupler, Male, 1/8 - JIC

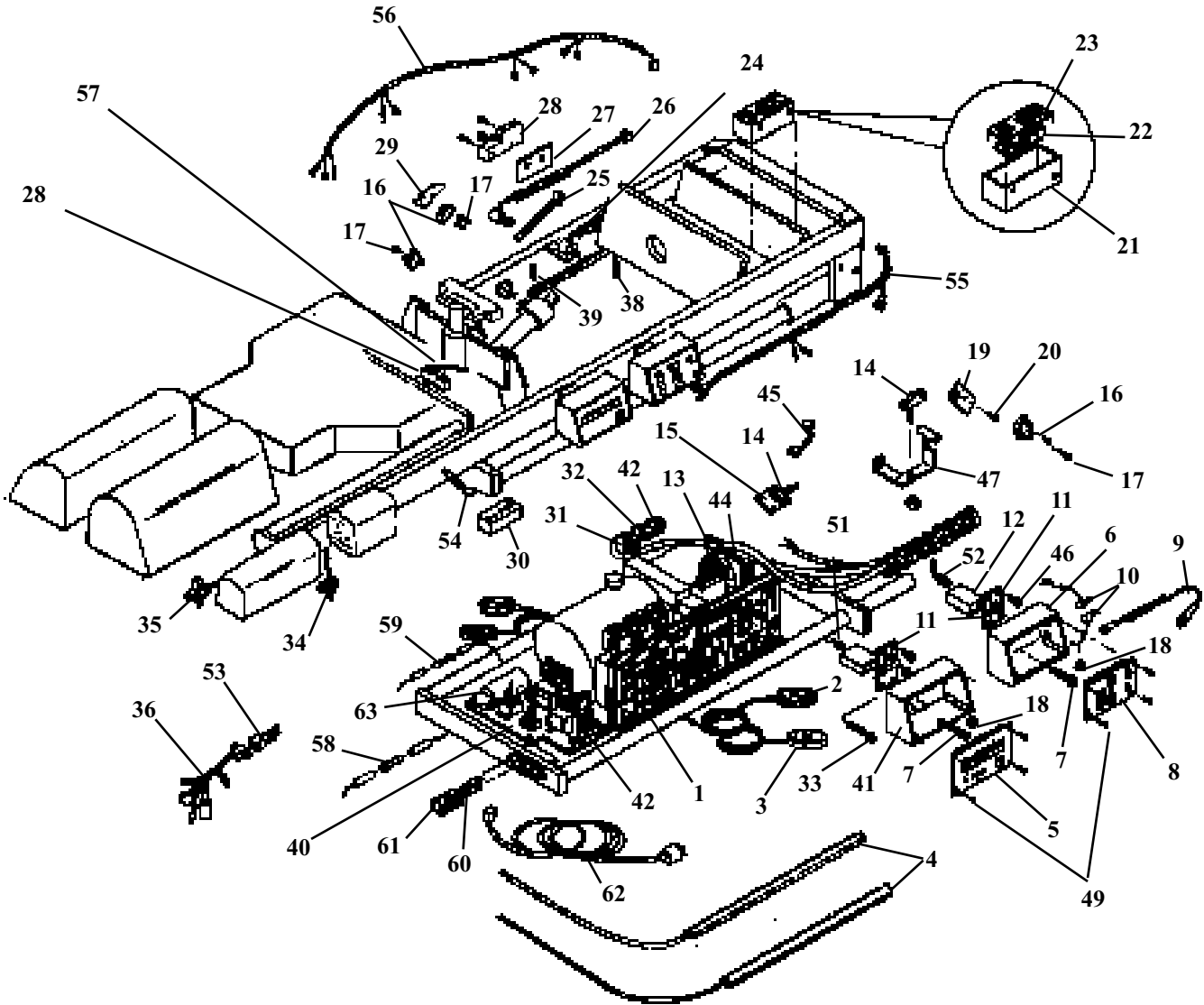
624920 - Flexion Cylinder Assembly

56957 - Cylinder, Flexion # 23150 - Fitting, 90 Deg, 1/4 - JIC # 23129 - Fitting, 90 Deg Comp, 1/8 Pipe to 1/4 Tube

624912 - Pelvic Extension / Retraction Cylinder

30286 - Cylinder, Traction # 50788 - Fitting, Ult Rear Gold # 76 # 23110 - Fitting, 90 Deg, 1/8 Male - JIC

ELECTRICAL



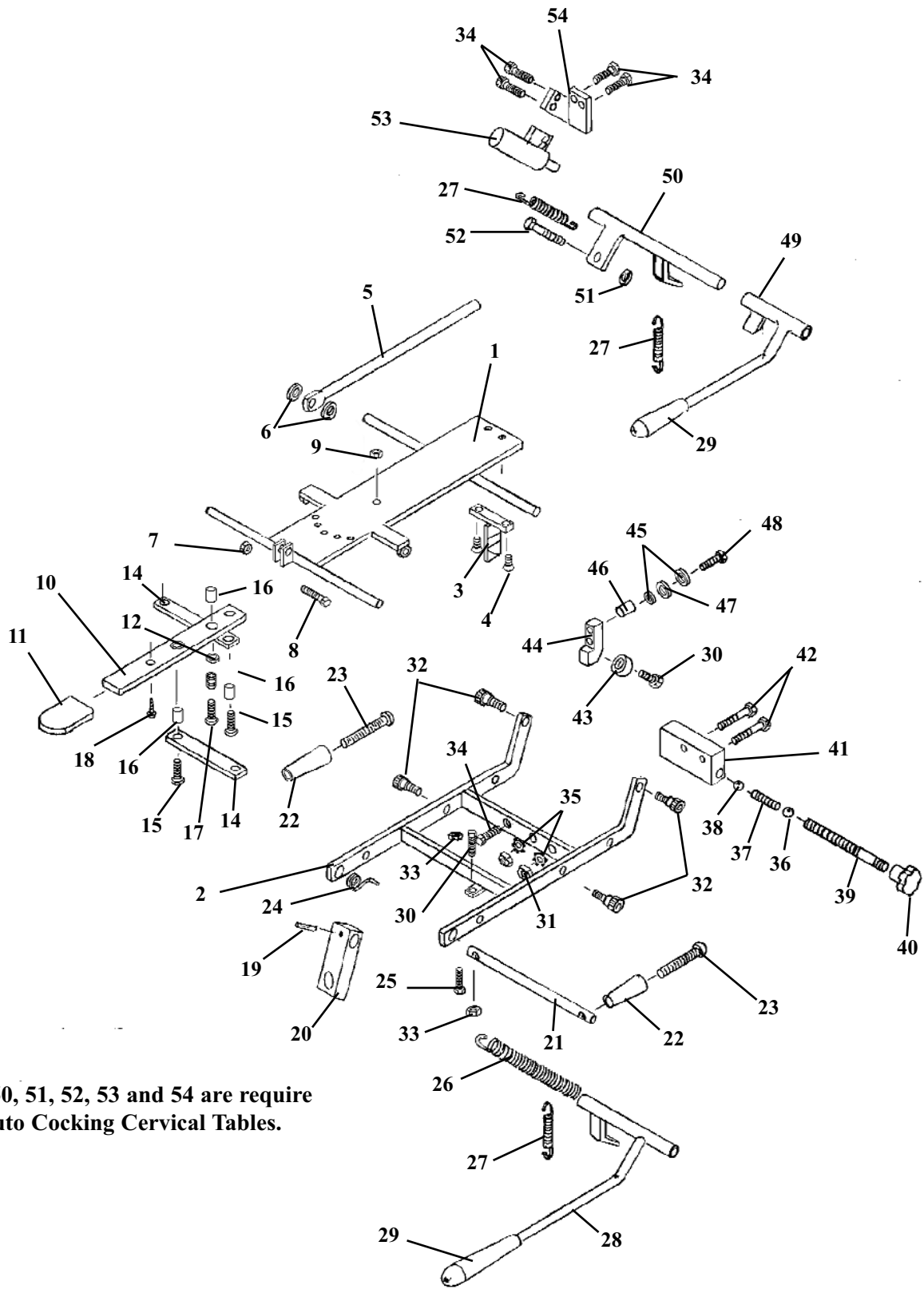
CABLE ASS'Y # 44218

| ITEM | DESCRIPTION | ITEM | DESC | 110 VOLT | 100 VOLT | 220 VOLT |
|------|-----------------------|------|------------------------|---------------------|--------------------|----------------------|
| 51 | -HS (HEIGHT SELECT) | 58 | FUSE 24 V | # 36335 1 AMP | # 36341 2 AMP | # 36334 0.8 AMP |
| 52 | -AF (AUTO FLEXION) | 59 | FUSE 5 V | # 36235 0.25 AMP | # 36330 0.5 AMP | # 36323 0.125 AMP |
| 53 | -2 (FOOT SWH HARNESS) | 60 | FUSE DWR | # 36360 6 AMP | # 36371 8 AMP | # 36353 4 AMP |
| 54 | -5 (SEQUENCE BOX) | 61 | FUSE DWR | # 36377 GRAY | # 36377 GRAY | # 36378 BLACK |
| 55 | -6 (LOWER LIMIT SWH) | 62 | PWR CORD | # 36172 | # 36172 | # 36173 |
| 56 | -7 (UPPER LIMIT SWH) | 63 | CAPACITOR MOTOR RUN | # 35360 70 MF | # 35364 110 MF | # 35445 20 MF |
| 57 | -9 (LOWER SEQ SWH) | | | | | |

ELECTRICAL

| ITEM | PART NO. | DESCRIPTION | QTY. |
|------|----------|----------------------------------------------|------|
| 1 | 45040 | CIRCUIT BOARD ASS'Y, CONTROL LOGIC DRIVER | 1 |
| 2 | 44081 | PEDAL ASS'Y, DIRECTION CONTROL | 1 |
| 3 | 44082 | PEDAL ASS'Y, FLEXION CONTROL | 1 |
| 4A | 44083 | TAPE SWITCH, 36" (AUTO DROP ONLY) | 1 |
| 4B | 44084 | TAPE SWITCH, 12" (AUTO DROP ONLY W/ONE DROP) | 1 |
| 5 | 45038 | CIRCUIT BOARD ASS'Y, HEIGHT SELECT | 1 |
| 6 | 52037 | BOX, PLASTIC | 1 |
| 7 | 20024 | BOLT, SOCKET HEAD, ¼ - 20 NC X 1 ¼ | 2 |
| 8 | 45027 | CIRCUIT BOARD ASS'Y, AUTO FLEXION | 1 |
| 9 | 44080 | SWITCH ASS'Y, FLEXION STOP | 1 |
| 10 | 44063 | POTENTIOMETER, AUTO FLEXION DELAY | 2 |
| 11 | 55387 | HINGE ASS'Y | 1 |
| 12 | 55386 | SPACER, HS & AF BOX | 2 |
| 13 | 44220 | CABLE HARNESS ASS'Y | 1 |
| 14 | 38040 | SWITCH, LIMIT, SEQUENCE | 2 |
| 15 | 58696 | BASE PLATE, UPPER LIMIT SWITCH | 1 |
| 16 | 38190 | SWITCH, SNAP ACTION, WHITE | 4 |
| 17 | 21969 | SCREW, MACHINE, BINDER HEAD, #4 - 40 NC X ½ | 8 |
| 18 | 21450 | NUT, HEX, #10 - 24 NC | 2 |
| 19 | 58964 | MOUNTING PLATE, TILT LIMIT SWITCH | 1 |
| 20 | 21972 | SCREW, MACHINE, PAN HEAD, #6 - 32 NC X ½ | 6 |
| 21 | 52019 | JUNCTION BOX | 1 |
| 22 | 44210 | WIRING HARNESS, INTER-CONNECT ASS'Y | 1 |
| 23 | 44205 | LID, JUNCTION BOX | 1 |
| 24 | 44059 | POTENTIOMETER ASS'Y, HEIGHT SENSING | 1 |
| 25 | 58673 | GEAR RACK ASS'Y, FLEXION | 1 |
| 26 | 44062 | POTENTIOMETER ASS'Y, PELVIC FLEXION | 1 |
| 27 | 58826 | MOUNTING PLATE, ANKLE LIMIT SWITCH | 1 |
| 28 | 38000 | SWITCH, ROLLER LEVER, ANKLEREST POSITION | 2 |
| 29 | 58694 | MOUNTING PLATE | 1 |
| 30A | 44215 | CONSOLE BOX, LED | 1 |
| 30B | 44216 | CONSOLE BOX, LED (NON-AUTO FLEXION) | 1 |
| 31 | 44223 | CABLE ASS'Y, UPPER BLOCK VALVE COILS | 1 |
| 32 | 44224 | CABLE ASS'Y, LOWER BLOCK VALVE COILS | 1 |
| 33 | 20037 | BOLT, HEX HEAD, ¼ - 20 NC X 1 ½ | 4 |
| 34 | 44041 | EXT/RET SWITCH ASS'Y | 1 |
| 35 | 44042 | TILT RELEASE SWITCH | 1 |
| 36 | 44212 | SPIDER CABLE ASS'Y | 1 |
| 37 | 52760 | GEAR RACK, HS | 1 |
| 38 | 30717 | COMPRESSION SPRING | 1 |
| 39 | 21977 | SCREW, MACH, PAN HEAD, #6 - 32 NC X 1 | 1 |
| 40 | 58620 | ELECTRICAL MOUNTING PLATE | 1 |
| 41 | 52038 | BOX, HEIGHT SELECT | 1 |
| 42 | 44980 | POWER CHASSIS ASS'Y | 1 |
| 43 | 44217 | POWER ENTRY ASS'Y | 1 |
| 44 | 44021 | BOX FAN ASS'Y | 1 |
| 45 | 44230 | FAN JUMPER WIRE ASS'Y | 1 |
| 46 | 21996 | SCREW, MACH, FLAT HEAD, #10 - 24 NC X ½ | 2 |
| 47 | 58600 | SWITCH BRACKET ASS'Y | 1 |
| 48 | 21010 | NUT, HEX, 1/4 - 20 NC | 2 |
| 49 | 21984 | SCREW, MACHINE, PAN HD, M3 X 8M | 8 |
| 50 | 55388 | HINGE ASSEMBLY | 1 |

STRAIGHT DROP HEAD ASS'Y

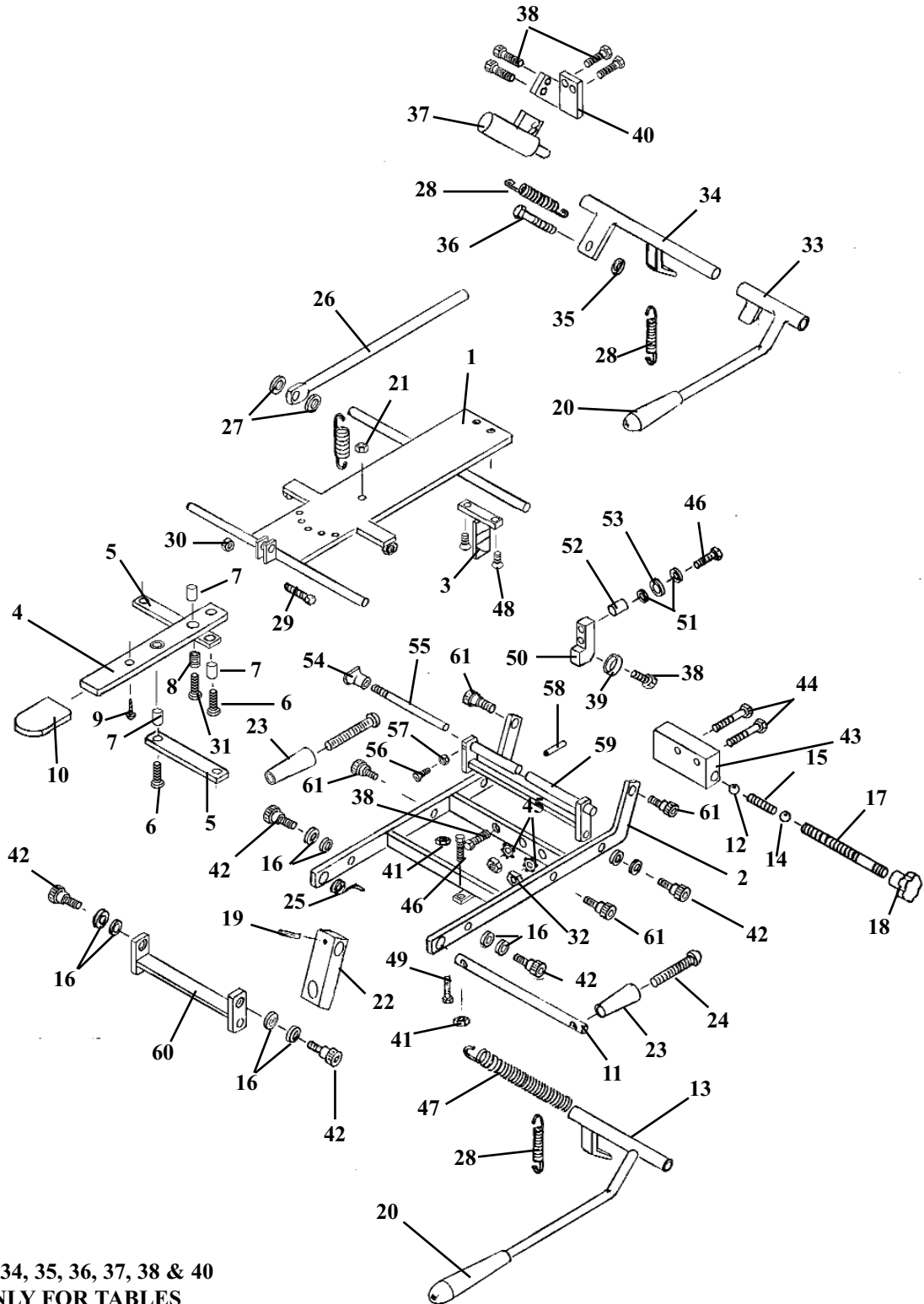


Items 49, 50, 51, 52, 53 and 54 are require only for Auto Cocking Cervical Tables.

STRAIGHT DROP HEAD ASSEMBLY

| ITEM | PART NO. | DESCRIPTION | QTY. |
|------|----------|-------------------------------------------------------|------|
| 1 | 56011 | FASTER PLATE ASS'Y, '89 STRAIGHT DROP HD | 1 |
| 2 | 57201 | OUTSIDE DROP FRAME ASS'Y, '89 FM HEAD | 1 |
| 3 | 55850 | TEE WEDGE ASSEMBLY | 1 |
| 4 | 22017 | SCREW, MACHINE, FLAT HEAD, ¼ - 20 UNC X ½ | 2 |
| 5 | 55929 | CENTER ROD ASSEMBLY | 1 |
| 6 | 21616 | WASHER, PLASTIC, ¼ ID X ¾ OD | 2 |
| 7 | 21020 | NUT, HEX, ¼ - 28 UNF | 1 |
| 8 | 20115 | BOLT, HEX HEAD, ¼ - 28 UNF X ¾ | 1 |
| 9 | 21450 | NUT, HEX, # 10 - 24 UNC | 1 |
| 10 | 57221 | ADJUSTMENT ARM, 1/8 X 7/8 X 8 | 1 |
| 11 | 24236 | GUARD, TEE HANDLE | 1 |
| 12 | 30722 | SPRING, COMPRESSION, 0.235 ID X 5/16 OD X ½ | 1 |
| 13 | 21610 | WASHER, PLASTIC, 0.26 ID X ½ OD | 2 |
| 14 | 57175 | LINKAGE BAR, 1/8 X ½ X 3 13/16 | 2 |
| 15 | 21995 | SCREW, MACHINE, PAN HEAD, # 10 - 24 UNC X ½ | 2 |
| 16 | 22860 | BUSHING, 3/16 ID X 1/4 OD X 0.160 | 3 |
| 17 | 22003 | SCREW, MACHINE, PAN HEAD, # 10 - 24 UNC X ¾ | 1 |
| 18 | 22300 | SCREW, MACHINE, # 8 - 32 UNC X ¼ | 1 |
| 19 | 22660 | ROLL PIN, 1/8 X 5/8 | 1 |
| 20 | 54107 | BLOCK, ADJUSTING, '89 HEAD, 5/8 X 1 X 2 15/16 | 1 |
| 21 | 57205 | ROD, TILT HANDLE, 3/8 RD X 5 ½ | 1 |
| 22 | 24020 | HANDLE | 2 |
| 23 | 22050 | SCREW, MACHINE, RD HEAD, ¼ - 20 - UNC X 2 ½ | 2 |
| 24 | 30871 | SPRING, TORSION | 1 |
| 25 | 20024 | BOLT, SOCKET HEAD, ¼ - 20 UNC X 1 ¼ | 1 |
| 26 | 30785 | SPRING, TENSION (HYLO TABLES) | 1 |
| 27 | 30725 | SPRING, EXTENSION, ¼ ID X 5/16 X 1 | 1 |
| 28 | 56067 | COCKING HANDLE ASS'Y, F/M '89 HEAD | 1 |
| 29 | 24010 | HANDLE GRIP | 1 |
| 30 | 20020 | BOLT, HEX HEAD, ¼ - 20 UNC X 1 ¼ | 2 |
| 31 | 21112 | NUT, HEX, 5/16 X 18 UNC | 2 |
| 32 | 20197 | BOLT, SOCKET HEAD, 5/16 - 18 UNC, SHOULDER, 3/8 X 3/8 | 4 |
| 33 | 21012 | NUT, JAM, ¼ - 20 UNC2 | 2 |
| 34 | 20007 | BOLT, HEX HEAD, ¼ - 20 UNC X 5/8 | 6 |
| 35 | 21755 | WASHER, STAR, 5/16 ID | 2 |
| 36 | 22701 | BALL, STEEL, ¼ RD | 1 |
| 37 | 30721 | SPRING, COMPRESSION, 0.175 ID X 23/64 OD X 1 1/8 | 1 |
| 38 | 22700 | BALL, BEARING, 3/8 RD | 1 |
| 39 | 57184 | STUD, TENSION ADJUSTMENT, 5/16 RD X 2 ¼ | 1 |
| 40 | 24150 | KNOB, TENSION ADJUSTMENT | 1 |
| 41 | 55849 | BLOCK, DROP, 1 X 1 7/16 X 2 3/32 | 1 |
| 42 | 20235 | BOLT, HEX HEAD, 5/16 - 18 UNC X 1 ¾ | 2 |
| 43 | 22805 | BALL, BEARING, ¼ ID | 1 |
| 44 | 57102 | BLOCK, BACKER BEARING, STRAIGHT DROP, ¾ X 9/16 X 1 ¼ | 1 |
| 45 | 21620 | WASHER, FLAT, ¼ ID X 9/16 OD X 3/16 | 2 |
| 46 | 50720 | SPACER, 3/8 ID X ½ OD X ½ | 1 |
| 47 | 21710 | WASHER, FLAT, 5/16 ID X 0.688 OD | 1 |
| 48 | 20022 | BOLT, HEX HEAD, ¼ - 20 UNC X 1 | 1 |
| 49 | 56069 | COCKING HANDLE ASS'Y, F/M '89 HEAD (AUTO DROP) | 1 |
| 50 | 57140 | COCKING LEVER ASS'Y, F/M '89 HEAD (AUTO DROP) | 1 |
| 51 | 21210 | NUT, HEX, 3/8 - 16 UNC (AUTO DROP) | 1 |
| 52 | 20320 | BOLT, HEX HEAD, 3/8 - 16 UNC X ¾ (AUTO DROP) | 1 |
| 53 | 625020 | COCKING CYLINDER, ¾ RD w/FITTINGS (AUTO DROP) | 1 |
| 54 | 57194 | BRACKET, CYLINDER ADAPTER (AUTO DROP) | 1 |

FORWARD MOTION HEAD FRAME ASS'Y

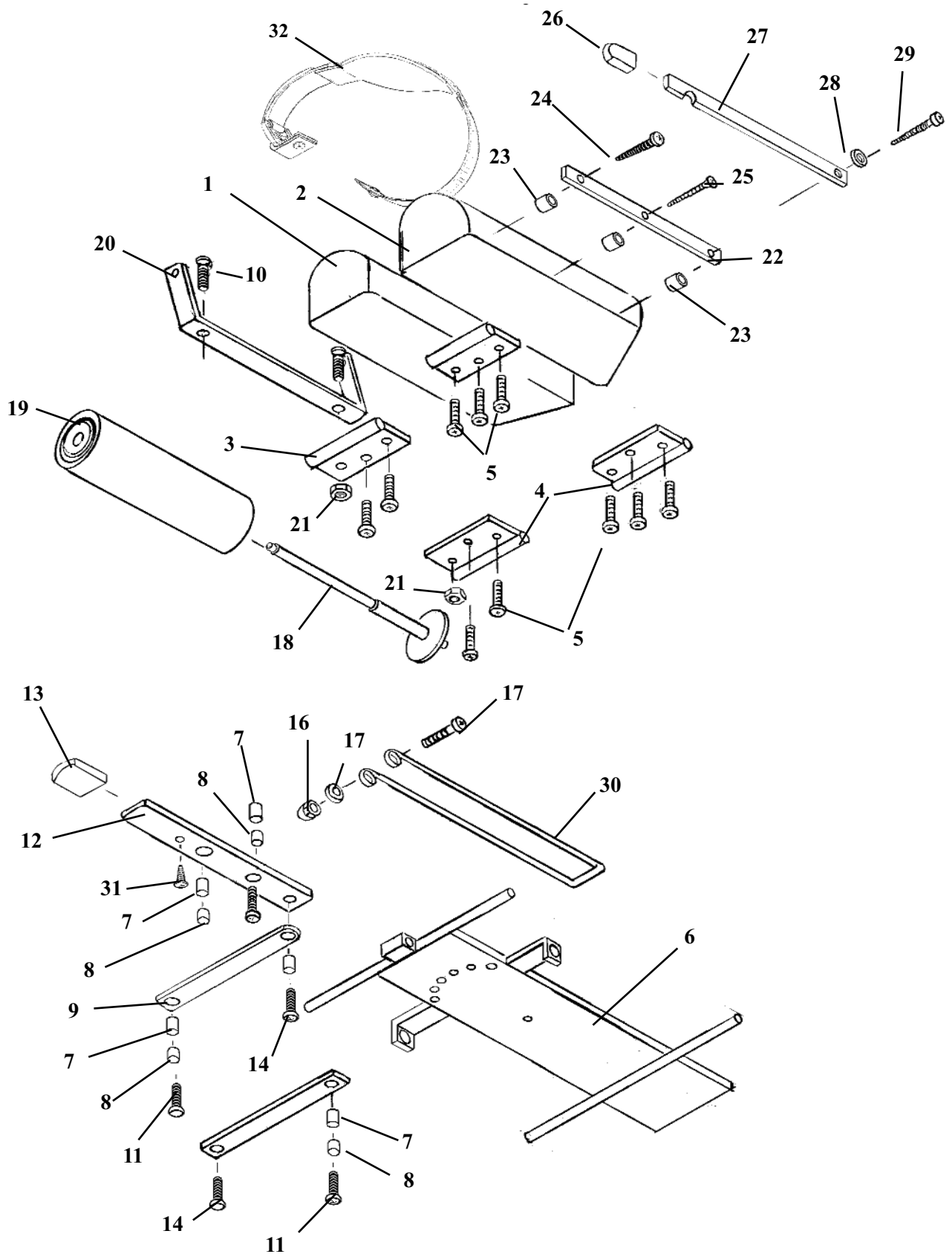


NOTE:
ITEMS 28, 33, 34, 35, 36, 37, 38 & 40
ARE USED ONLY FOR TABLES
WITH
AUTO COCKING CERVICAL.

FORWARD MOTION HEAD FRAME

| ITEM | PART NO. | DESCRIPTION | QTY |
|------|----------|--------------------------------------------|-----|
| 1 | 56059 | OUTSIDE DROP FRAME ASS'Y | 1 |
| 2 | 57201 | OUTSIDE HEAD FRAME ASS'Y | 1 |
| 3 | 55850 | TEE WEDGE | 1 |
| 4 | 57221 | ADJUSTMENT ARM, HEAD CUSHION | 1 |
| 5 | 57175 | LINKAGE BAR, 1/8 X 1/2 X 3 9/16 | 2 |
| 6 | 21995 | PAN HD. MACHINE SCREW, #10-24 NC X 1/2 | 2 |
| 7 | 22860 | BUSHING, 3/16 ID X 1/4 OD | 3 |
| 8 | 30722 | COMPRESSION SPRING, 1/4 ID X 5/16 OD | 1 |
| 9 | 22300 | MACHINE SCREW, #8-32 NC X 1/4 | 1 |
| 10 | 24236 | PLASTIC CAP | 1 |
| 11 | 57205 | SUPPORT ROD, 3/8 RD. X 6 1/16 | 1 |
| 12 | 22700 | BALL, STEEL, 3/8 DIA | 1 |
| 13 | 56067 | COCKING LEVER ASS'Y | 1 |
| 14 | 22701 | BALL, BEARING, 1/4 DIA | 1 |
| 15 | 30710 | COMPRESSION SPRING, 9/64 ID X 1/4 OD | 1 |
| 16 | 21760 | PLASTIC WASHER, 5/16 ID X 1/2 OD | 12 |
| 17 | 57184 | TENSION ADJUSTMENT SCREW, 5/16 RD. X 2 3/4 | 1 |
| 18 | 24150 | KNOB, TENSION ADJUSTMENT | 1 |
| 19 | 22660 | ROLL PIN, 1/8 X 5/8 | 1 |
| 20 | 24010 | COCKING HANDLE | 1 |
| 21 | 21450 | HEX NUT, #10-24 NC | 1 |
| 22 | 54107 | ADJUSTING BLOCK, 5/8 X 1.00 X 2 15/16 | 1 |
| 23 | 24020 | ADJUSTMENT HANDLE | 2 |
| 24 | 22050 | MACHINE SCREW, RD. HD., 1/4-20 NC X 2 1/2 | 2 |
| 25 | 30871 | TORSION SPRING | 1 |
| 26 | 55929 | CENTER BAR, | 1 |
| 27 | 21616 | WASHER, FLAT, PLASTIC, 1/4 ID X 3/4 OD | 2 |
| 28 | 30725 | RETURN SPRING | 2 |
| 29 | 20115 | HEX.HD BOLT, 1/4-28 NF X 3/4 | 1 |
| 30 | 21020 | NUT, HEX, 1/4-28 NF | 1 |
| 31 | 22003 | PAN HD. SCREW, #10-24 UNC X 3/4 | 1 |
| 32 | 21112 | HEX.NUT, 5/16-18 UNC | 2 |
| 33 | 56069 | COCKING HANDLE ASS'Y (AUTO DROPS) | 1 |
| 34 | 57140 | COCKING LEVER ASS'Y (AUTO DROPS) | 1 |
| 35 | 21210 | HEX.NUT, 3/8-16 NC (AUTO DROPS) | 1 |
| 36 | 20320 | HEX.BOLT, 3/8-16 NC X 3/4 (AUTO DROPS) | 1 |
| 37 | 625020 | COCKING CYLINDER, 3/4 (AUTO DROPS) | 1 |
| 38 | 20007 | HEX.HD.BOLT, 1/4-20 NC X 5/8 (AUTO DROPS) | 6 |
| 39 | 22805 | BEARING | 1 |
| 40 | 57194 | CYL.MT.BRACKET (AUTO DROPS) | 1 |
| 41 | 21012 | NUT, JAM, 1/4-20 UNC | 2 |
| 42 | 20002 | SOCKET HD. BOLT, 1/4-20 NC X 1 1/4 | 6 |
| 43 | 55849 | DROP BLOCK | 1 |
| 44 | 20235 | HEX.HD.BOLT, 5/16-18 NC X 1 3/4 | 2 |
| 45 | 21755 | WASHER, STAR 5/16ID | 2 |
| 46 | 20020 | HEX.HEAD BOLT, 1/4-20 NC X 1 1/4-GR 5 | 3 |
| 47 | 30785 | TENSION SPRING (HYLO TABLES ONLY) | 1 |
| 48 | 22017 | FLAT HD. SCREW, 1/4-20UNC X 3/4 | 2 |
| 49 | 20024 | BOLT, SOCKET HEAD, 1/4 - 20 UNC X 1 1/4 | 1 |
| 50 | 57103 | BLOCK | 1 |
| 51 | 21620 | FLAT WASHER 1/4ID X 9/16OD | 2 |
| 52 | 50720 | SPACER | 1 |
| 53 | 21810 | FLAT WASHER 3/8ID X 13/16OD | 1 |
| 54 | 24160 | LOCK KNOB | 1 |
| 55 | 55932 | LOCK ROD | 1 |
| 56 | 21981 | PLASTIC FLAT HD. SCREW, #8-32 NC X 1/2 | 1 |
| 57 | 21420 | HEX.NUT, #8-32NC | 1 |
| 58 | 22657 | ROLL PIN 1/8 X 3/8 | 1 |
| 59 | 56060 | STABILIZER BRACE ASS'Y | 1 |
| 60 | 57144 | FRONT ROCKER FRAME ASS'Y | 1 |
| 61 | 20197 | SOCKET HD. SHOULDER BOLT, 5/16-18 UNC | 4 |

FLEXION HEAD CUSHION ASSEMBLY



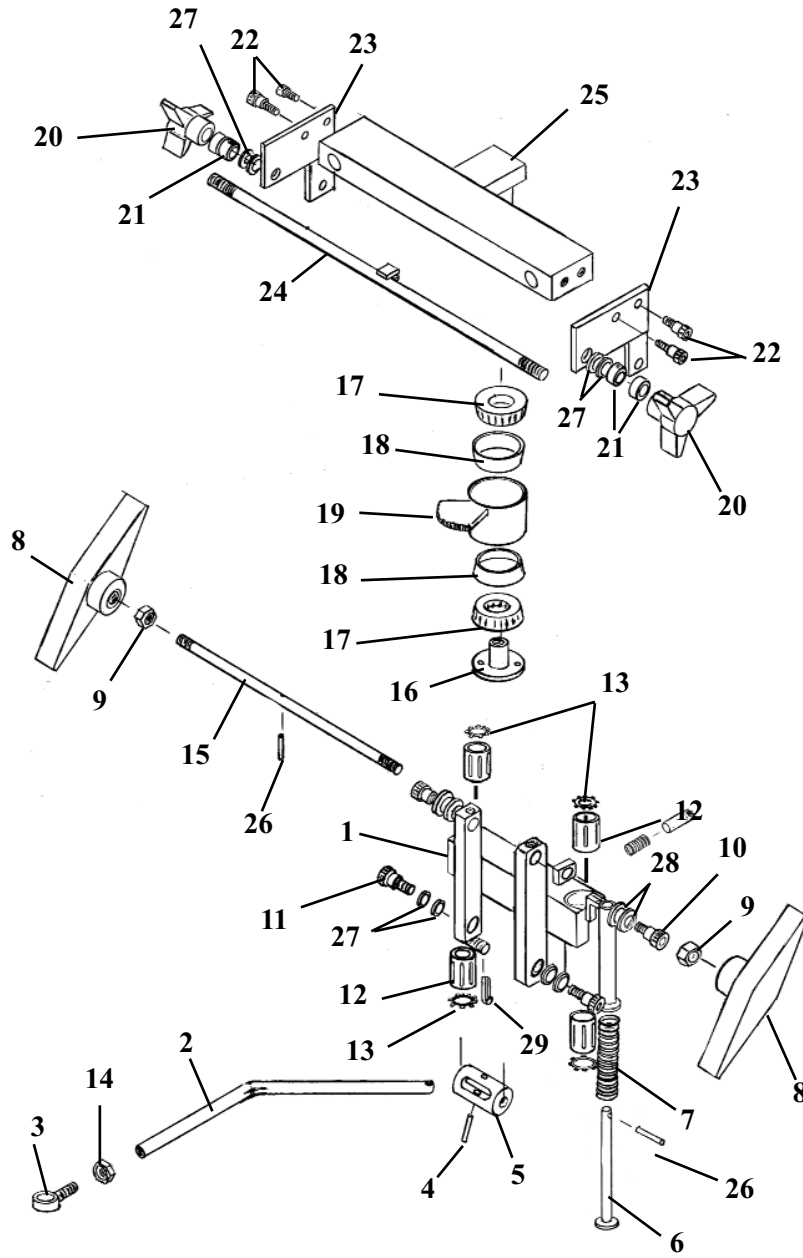
FLEXION HEAD CUSHION ASSEMBLY

| ITEM | PARTNO. | DESCRIPTION | QTY. |
|------|---------|----------------------------------------------|------|
| 1 | 40980 | HEAD CUSHION ASSEMBLY (RH) | 1 |
| 2 | 40979 | HEAD CUSHION ASSEMBLY (LH) | 1 |
| 3 | 57155 | GUIDE BRACKET | 2 |
| 4 | 57156 | GUIDE BRACKET | 2 |
| 5 | 22003 | SCREW, MACHINE, PAN HEAD, #10 – 24 UNC X ¾ | 12 |
| 6 | 55825 | INSIDE HEAD FRAME | 1 |
| 7 | 57174 | SPACER, FORWARD DROP, 3/16 X 1/2 X 5/8 | 4 |
| 8 | 22860 | BUSHING, 3/16 ID X ¼ OD | 6 |
| 9 | 57175 | LINKAGE BAR | 2 |
| 10 | 21995 | SCREW, MACHINE, PAN HEAD, #10 – 24 NC X ½ | 3 |
| 11 | 22009 | SCREW, MACHINE, #10 – 24 UNC X 1 1/2 | 2 |
| 12 | 57188 | ADJUSTMENT BAR | 1 |
| 13 | 24236 | PLASTIC CAP | 1 |
| 14 | 22695 | RIVET, 3/16 X 3/8 | 2 |
| 15 | 22009 | SCREW, MACHINE, PAN HEAD, #10 – 24 UNC X 1 ½ | 1 |
| 16 | 21447 | NUT, ACORN, #10 – 24 UNC | 1 |
| 17 | 21510 | WASHER, FLAT, 3/16 ID X ½ OD | 2 |
| 18A | 57956 | HANGER ASSEMBLY | 1 |
| 18B | 56430 | HANGER ASSEMBLY (TILT TABLES ONLY) | 1 |
| 19 | 29999 | CREPE HEAD REST PAPER | 1 |
| 20 | 55841 | BRACKET, PAPER HOLDER, FLEX HEAD | 1 |
| 21 | 21450 | NUT, HEX, #10 – 24 UNC | 2 |
| 22 | 55844 | INSIDE CUTTING BAR | 1 |
| 23 | 50720 | SPACER, PAPER CUTTER, 3/8 ID X ½ OD | 3 |
| 24 | 22522 | SCREW, WOOD, ROUND HEAD, #9 X 2 | 1 |
| 25 | 22510 | SCREW, WOOD, FLAT HEAD, #9 X 1 ½ | 1 |
| 26 | 24235 | GUARD, CUTTING BAR | 1 |
| 27 | 55843 | OUTSIDE CUTTING BAR | 1 |
| 28 | 21610 | WASHER, FLAT, PLASTIC, 0.26 ID X ½ OD | 1 |
| 29 | 22550 | SCREW, WOOD, ROUND HEAD, #14 X 2 | 1 |
| 30 | 30700 | CENTER PAPER WIRE, FLEXION HEAD, 1/8 X 25 | 1 |
| 31 | 22300 | SCREW, MACHINE, #8 – 32 UNC X ¼ | 1 |

Item 32 # 607230 - Head Restraint

| Part No. | Description | Qty |
|----------|--------------------------|-----|
| 24060 | Buckle, Plastic | 1 |
| 24220 | Snap, Inside | 2 |
| 24222 | Snap, Outside | 2 |
| 28110 | Pad, Head | 1 |
| 28551 | Velcro, Loop (3") | 1 |
| 28552 | Velcro, Hook (3") | 1 |
| 28660 | Poly Strap, 1 1/4" (14") | 1 |

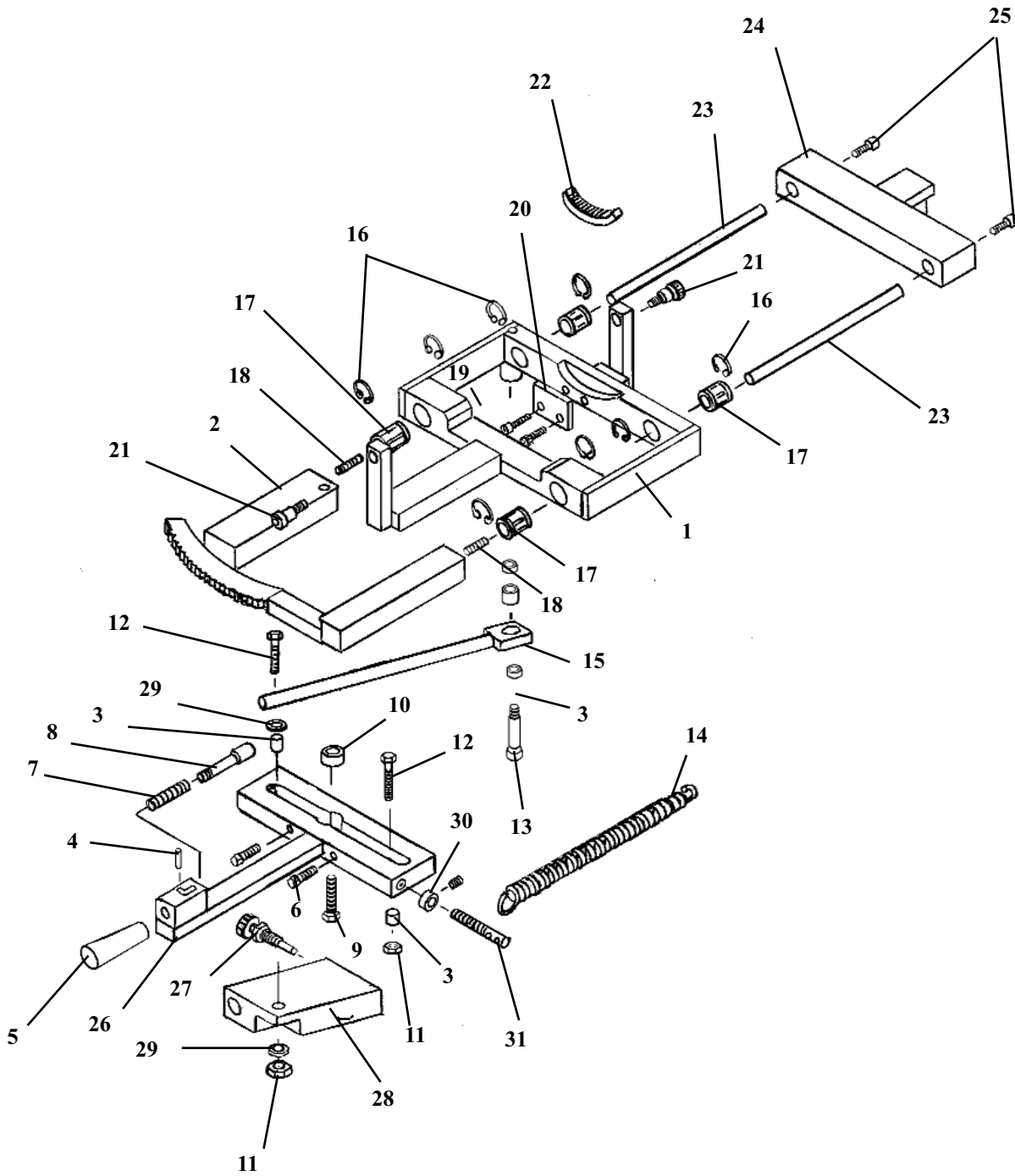
FLEXION HEAD SHUTTLE ASS'Y



FLEXION HEAD SHUTTLE ASS'Y

| ITEM | PART NO. | DESCRIPTION | QTY. |
|------|----------|--------------------------------|------|
| 1 | 55750 | SHUTTLE ASS'Y | 1 |
| 2 | 55787 | LINKAGE ROD | 1 |
| 3 | 22740 | SWIVEL JOINT END | 1 |
| 4 | 22689 | SHEARPROOF PIN, ¼ 1 1/4 | 1 |
| 5 | 55757 | ROTATION CYLINDER | 1 |
| 6 | 55959 | PLUNGER | 1 |
| 7 | 30740 | COMPRESSION SPRING | 1 |
| 8 | 24186 | ADJUSTMENT HANDLE | 2 |
| 9 | 21210 | HEX NUT, 3/8-16 UNC | 2 |
| 10 | 20199 | SHOULDER BOLT, 5/16-18 UNC X ½ | 2 |
| 11 | 20003 | SHOULDER BOLT, ¼-20 UNC X ½ | 2 |
| 12 | 22891 | GLIDE BEARING | 4 |
| 13 | 24050 | SNAP RING | 4 |
| 14 | 21020 | HEX NUT 1/4-28UNF | 1 |
| 15 | 55949 | ADJUSTMENT ROD, 3/8 RD X 11 | 1 |
| 16 | 55764 | LOCK COLLAR | 1 |
| 17 | 22835 | ROLLER BEARING | 2 |
| 18 | 22800 | RACE, BEARING | 2 |
| 19 | 55756 | BEARING HUB | 1 |
| 20 | 24170 | STAR HANDLE | 2 |
| 21 | 22910 | COLLAR | 4 |
| 22 | 21997 | SOCKET SCREW, #10-32 UNC X ½ | 4 |
| 23 | 55783 | SUPPORT PLATE | 2 |
| 24 | 55804 | LOCK ROD | 1 |
| 25 | 55768 | ROTATION LOCK | 1 |
| 26 | 22675 | ROLL PIN | 1 |
| 27 | 21610 | PLASTIC WASHER ¼ ID X ½ OD | 8 |
| 28 | 21800 | PLASTIC WASHER 3/8ID X 5/8 OD | 4 |
| 29 | 22640 | COTTER PIN 3/32 X 1 | 1 |

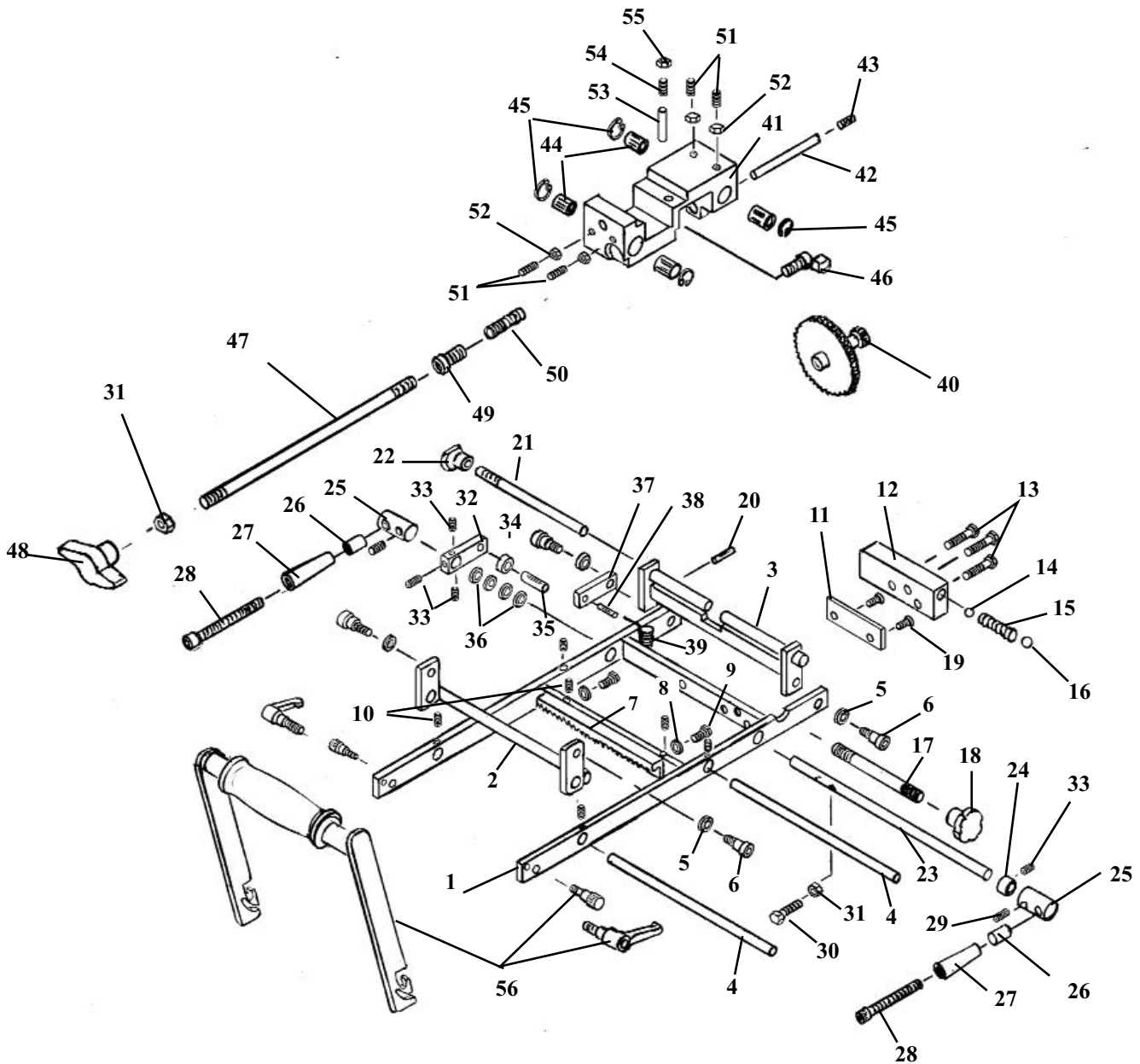
FLEXION HEAD SLIDE FRAME ASSEMBLY



FLEXION HEAD SLIDE FRAME ASSEMBLY

| ITEM | PART NO. | DESCRIPTION | QTY. |
|------|----------|---------------------------------------------------|------|
| 1 | 55778 | SLIDE BRACKET ASS'Y | 1 |
| 2 | 55794 | LOCK FRAME ASS'Y | 1 |
| 3 | 22865 | BUSHING, ¼ ID X 5/16 OD | 3 |
| 4 | 22657 | ROLL PIN 1/8 X 3/8 | 1 |
| 5 | 22660 | LOCK KNOB | 1 |
| 6 | 22031 | SOCKET HD SCREW, ¼-20 UNC X 1 ¼ | 2 |
| 7 | 30750 | COMPRESSION SPRING | 1 |
| 8 | 55762 | LOCK PISTON | 1 |
| 9 | 20332 | HEX. HD. BOLT 3/8-16 UNC X 1 | 1 |
| 10 | 22810 | ROLL BEARING | 1 |
| 11 | 21020 | HEX. NUT, ¼-28 UNF | 2 |
| 12 | 55813 | HEX. HD. BOLT ¼-28 UNF X 1 1/4 | 2 |
| 13 | 20004 | BOLT, SOC HD, 1/4 - 20 NC X 3/8 SHOU 5/16 X 1 1/4 | 1 |
| 14 | 30777 | RETURN SPRING 1/2OD X 3 ½ | 1 |
| 15 | 55875 | LINKAGE BAR | 1 |
| 16 | 24287 | C-CLIP | 8 |
| 17 | 22892 | BEARING S6, 3/8ID X 5/8 OD | 4 |
| 18 | 55809 | STUD, #10-32 UNF X ¾ | 2 |
| 19 | 22004 | SOCKET HD. BOLT, #10-24 UNC X 1 | 2 |
| 20 | 55957 | SUPPORT PLATE | 1 |
| 21 | 20199 | SOCKET HD. BOLT, 5/16-18 UNC, 3/8 X ½ SHLD. | 2 |
| 22 | 56026 | RING GEAR | 1 |
| 23 | 55763 | GUIDE ROD | 2 |
| 24 | 55768 | SIDE BENDING BLOCK | 1 |
| 25 | 21997 | SOCKET HD. BOLT, #10-32UNF X ½ | 2 |
| 26 | 55758 | MOTION HANDLE ASS'Y | 1 |
| 27 | 20322 | LOCK BOLT | 1 |
| 28 | 55874 | LOCK BLOCK | 1 |
| 29 | 21620 | FLAT WASHER ¼ ID | 2 |
| 30 | 22921 | COLLAR | 1 |
| 31 | 20258 | HEX. HD. BOLT, 5/16-18UNC X 2 ½ | 1 |

ROTATION BLOCK ASSEMBLY FLEXION HEAD



Item 56 - Flexion Handle Kit #634020

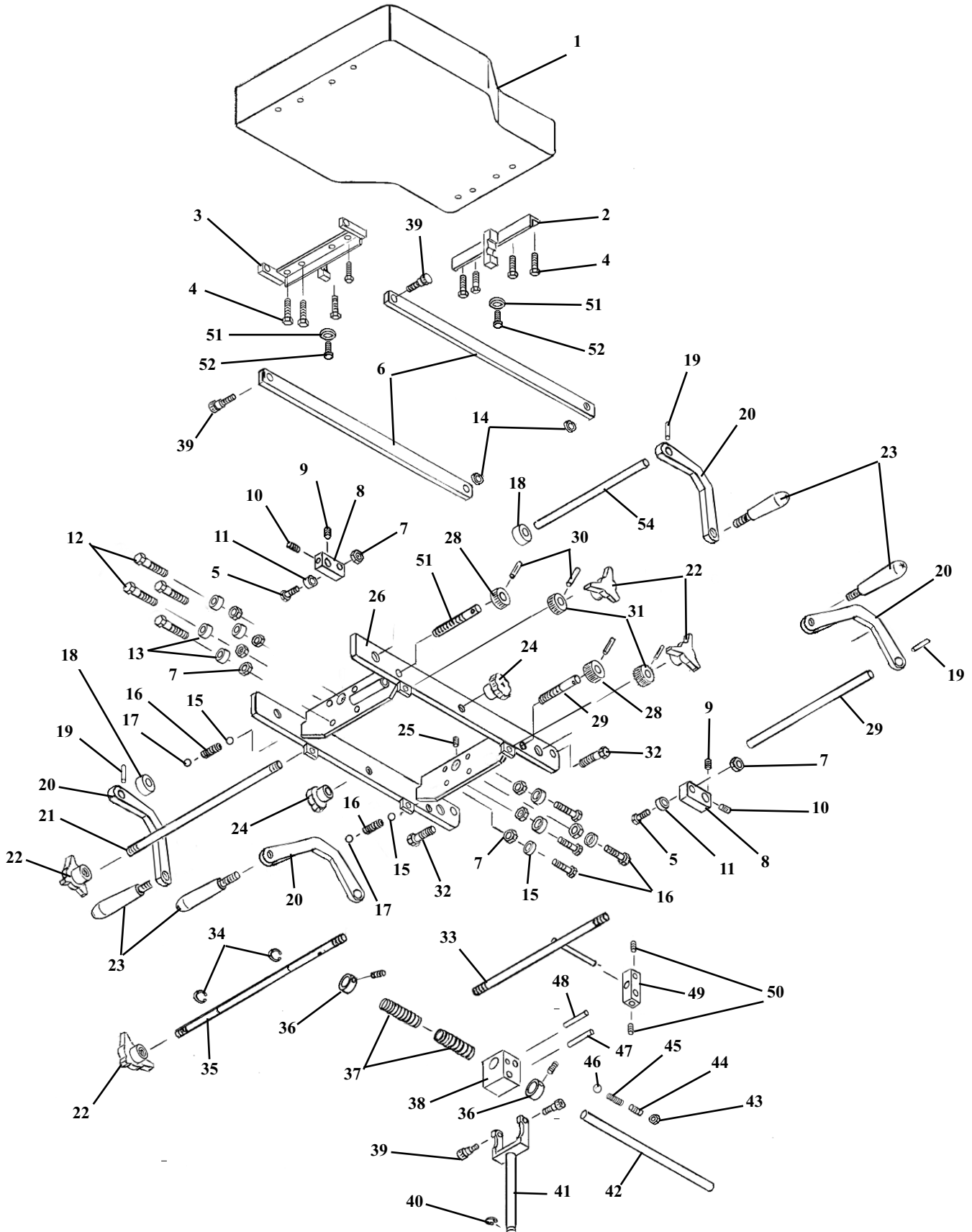
| Part No. | Description | Qty |
|----------|-------------------------|-----|
| 55838 | Handle Tube | 1 |
| 55836 | Side Ass'y (RH) | 1 |
| 55837 | Side Ass'y (LH) | 1 |
| 24023 | Handle Grip | 1 |
| 24024 | Adjustable Thumb Handle | 2 |
| 20188 | Socket Hd. Bolt #10-24 | 2 |
| 22410 | Pan Hd. Screw | 2 |

ROTATION BLOCK ASSEMBLY FLEXION HEAD

| ITEM | PART NO. | DESCRIPTION | QTY. |
|------|----------|--------------------------------------------------------|------|
| 1 | 55777 | ROTATION FRAME ASSEMBLY, FLEXION HEAD | 1 |
| 2 | 55773 | PIVOT ARM ASSEMBLY, FLEXION HEAD | 1 |
| 3 | 55963 | STABILIZER BRACKET ASS'Y, SWIVEL HEAD | 1 |
| 4 | 55788 | GUIDE ROD, CRADLE ASS'Y, FLEX HD, 3/8 RD X 7 5/8 | 2 |
| 5 | 21610 | WASHER, FLAT PLASTIC, 0.26 ID X 1/2 OD | 4 |
| 6 | 20002 | BOLT, SOCKET HEAD, 1/4 - 20 UNC SHOULDER 5/6 X 3/8 | 4 |
| 7 | 55984 | GEAR RACK MOUNT ASS'Y, SWIVEL HEAD | 1 |
| 8 | 21510 | WASHER, FLAT, 3/16 ID X 1/2 OD | 2 |
| 9 | 20000 | BOLT, HEX HEAD, #10 - 32 UNF X 1/2 | 2 |
| 10 | 22090 | SCREW, SET, #10 - 32 UNF X 3/16 | 6 |
| 11 | 55815 | MOUNTING PLATE, FLEXION HEAD, 1/4 X 1 X 2 3/8 | 1 |
| 12 | 55789 | BLOCK, DROP, FLEXION HEAD, 5/8 X 1 X 2.575 | 1 |
| 13 | 22001 | SCREW, MACHINE, FLAT HEAD, #10 - 24 UNC X 1 | 3 |
| 14 | 22701 | BALL, STEEL, 1/4" DIA | 1 |
| 15 | 30721 | SPRING, COMPRESSION, 9/64 ID X 1/4 OD X 1 1/4 | 1 |
| 16 | 22700 | BALL, STEEL, 3/8" DIA | 1 |
| 17 | 52172 | ROD, ADJUSTMENT, 5/16 X 3 1/6 | 1 |
| 18 | 24150 | KNOB, ADJUSTMENT | 1 |
| 19 | 22073 | SCREW, MACH, FLAT HD, 5/16 - 18 UNC X 7/16-GROUND OFF | 2 |
| 20 | 22657 | PIN, ROLL, 1/8 X 3/8 | 1 |
| 21 | 55968 | ROD, LOCK | 1 |
| 22 | 24160 | KNOB, LOCK, STABILIZER, SWIVEL HD, 1/4 RD X 6 1/4 | 1 |
| 23 | 56032 | COCKING ARM ASSEMBLY, SWIVEL HEAD | 1 |
| 24 | 22912 | COLLAR, 3/8" ID | 1 |
| 25 | 56035 | COLLAR, COCKING ROD, SWIVEL HD, 3/4 RD X 1 1/4 | 2 |
| 26 | 52192 | HANDLE, EXTENSION, 1/4 ID X 9/16 OD X 1 | 2 |
| 27 | 24021 | HANDLE, YELLOW | 2 |
| 28 | 20129 | BOLT, SOCKET HD, 1/4 - 20 UNC X 3 1/2 | 2 |
| 29 | 22250 | SCREW, SET, 5/16 - 24 UNF X 1/2 | 2 |
| 30 | 20022 | BOLT, HEX HD, 1/4 - 20 UNC X1 | 1 |
| 31 | 21010 | NUT, HEX, 1/4 - 20 UNC | 2 |
| 32 | 58089 | ARM, 3/8 X 5/8 X 2 5/16 | 1 |
| 33 | 22110 | SCREW, SET, 1/4 - 20 UNC X 1/4 | 4 |
| 34 | 22805 | BEARING, BALL, 1/4 ID | 1 |
| 35 | 22688 | PIN, ROLL, 1/4 X 5/8 | 1 |
| 36 | 21800 | WASHER, FLAT, PLASTIC, 3/8 ID X 5/8 OD X 1/16 | 4 |
| 37 | 55821 | COCKING ARM, FLEXION HEAD ASS'Y, 3/16 X 1/2 X 2 | 1 |
| 38 | 22660 | PIN, ROLL, 1/8 X 5/8 | 1 |
| 39 | 30725 | SPRING, EXTENSION, 1/4 ID X 5/16 OD X 1 1/8 (MODIFIED) | 1 |
| 40 | 55814 | GEAR TRAIN, ROTATION FRAME ASS'Y, FLEXION HEAD | 1 |
| 41 | 30423 | CRADLE BLOCK, FLEXION HEAD | 1 |
| 42 | 55820 | AXLE | 1 |
| 43 | 22230 | SCREW, SET, 5/16 - 18 UNC X 1/4 | 1 |
| 44 | 22892 | BUSHING, 3/8 ID X 7/8 - SUPER 6 | 4 |
| 45 | 24048 | C - CLIP | 4 |
| 46 | 55782 | GEAR LOCK | 1 |
| 47 | 55824 | LOCK ROD | 1 |
| 48 | 24163 | KNOB, PLASTIC, T - HANDLE | 1 |
| 49 | 55823 | GUIDE PLUG, FLEXION HEAD ASS'Y | 1 |
| 50 | 30732 | SPRING, COMPRESSION, 1/4 ID X 1 3/8 | 1 |
| 51 | 22095 | SCREW, SET, #10 - 24 - UNC X 1/2 | 4 |
| 52 | 21450 | NUT, HEX, #10 - 24 UNC | 4 |
| 53 | 57178 | PIN, ADJUSTMENT, 1/4 RD X 5/8 | 1 |
| 54 | 22231 | SCREW, SET, 5/16 - 18 UNC X 3/4 | 1 |
| 55 | 21110 | NUT, JAM, 5/16 - 18 UNC | 1 |
| 56 | 634020 | HANDLE ASSEMBLY | 1 |

T- DROP CHEST ASS'Y

FULL CUSHION

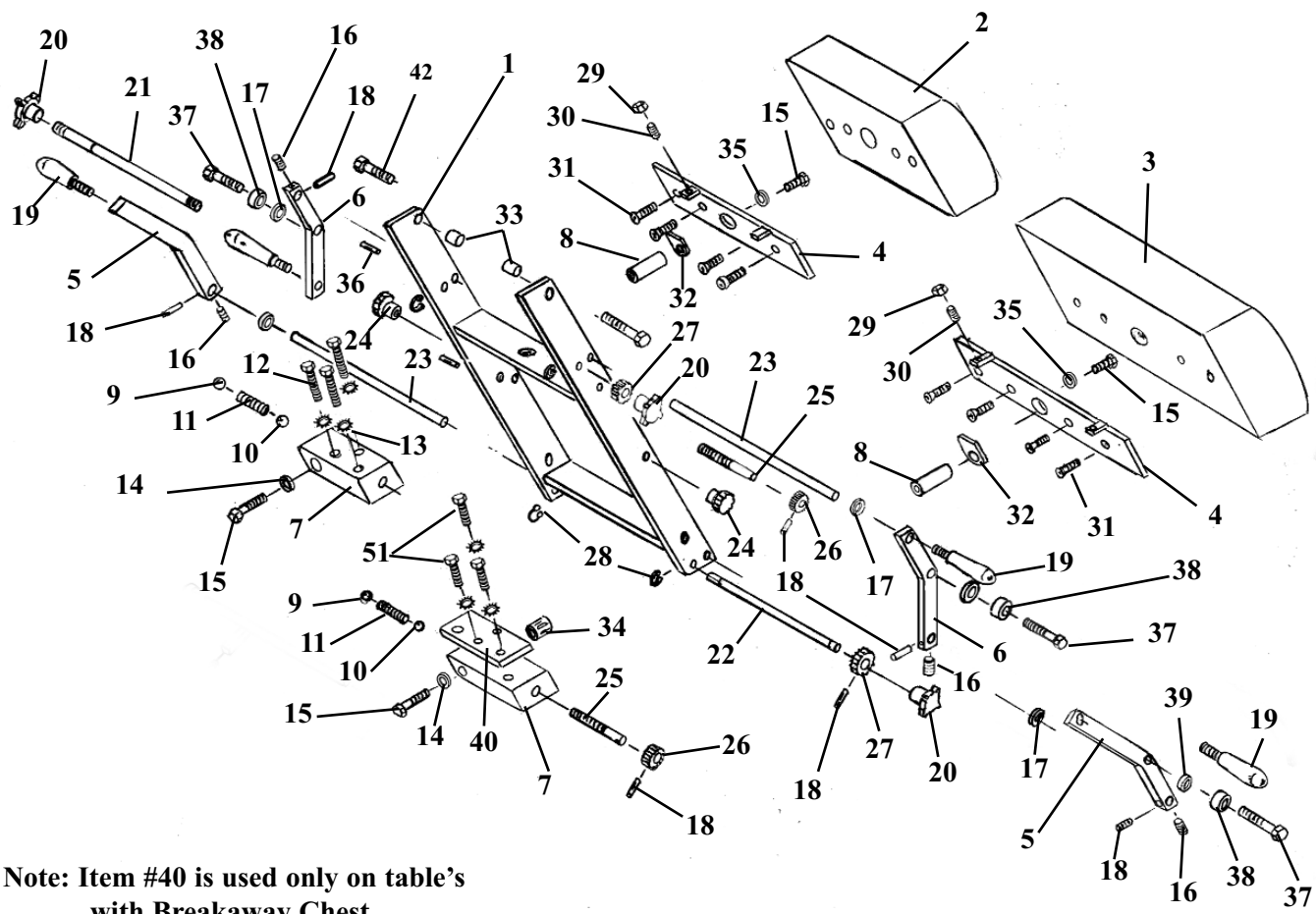


T- DROP CHEST ASS'Y

FULL CUSHION

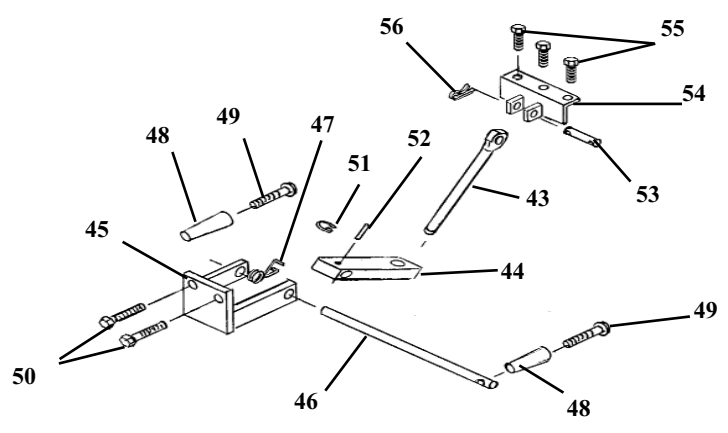
| ITEM | PART NO. | DESCRIPTION | QTY. |
|------|----------|---------------------------------------|------|
| 1 | 40235 | CHEST CUSHION ASS'Y | 1 |
| 2 | 57433 | FRONT TEE WEDGE ASS'Y | 1 |
| 3 | 57429 | REAR TEE WEDGE ASS'Y | 1 |
| 4 | 20022 | HEX HD BOLT, ¼-20UNC X 1.00 | 8 |
| 5 | 20350 | HEX HD BOLT, 3/8-16UNC X 1 ¼ | 2 |
| 6 | 57435 | SIDE RAIL | 2 |
| 7 | 21210 | HEX NUT, 3/8 -16UNC | 9 |
| 8 | 52730 | COCKING BAR | 2 |
| 9 | 22260 | SET SCREW, 5/16-24UNF X ¼ | 1 |
| 10 | 22250 | SET SCREW, 5/16-24UNF X ½ | 1 |
| 11 | 22810 | ROLLER BEARING | 1 |
| 12 | 20330 | HEX HD BOLT, 3/8-16UNC X 7/8 | 8 |
| 13 | 22812 | ROLLER BEARING | 8 |
| 14 | 21850 | PLASTIC WASHER, 3/8 ID | 2 |
| 15 | 22700 | TENSION BALL 3/8 DIA. | 1 |
| 16 | 30830 | TENSION SPRING | 1 |
| 17 | 22710 | TENISON BALL ½ | 1 |
| 18 | 54088 | SET COLLAR ½ ID X 1.00 OD | 2 |
| 19 | 22670 | ROLL PIN, 1/8 X ¾ | 4 |
| 20 | 57449 | COCKING HANDLE (RH) | 2 |
| 21 | 57447 | TENSION ROD | 1 |
| 22 | 24180 | CONTROL KNOB | 4 |
| 23 | 24012 | COCKING HANDLE | 4 |
| 24 | 24150 | CONTROL KNOB | 2 |
| 25 | 22092 | SET SCREW, 10-24UNC X 3/8 | 1 |
| 26 | 57424 | DROP CHEST FRAME ASS'Y | 1 |
| 27 | 57445 | TENSION SCREW, 3/8 RD X 3.10 | 2 |
| 28 | 30311 | TENSION GEAR 3/8ID X 15/16 OD | 2 |
| 29 | 52350 | COCKING ROD | 2 |
| 30 | 22673 | ROLL PIN 1/8 X 1 | 4 |
| 31 | 30312 | TENSION GEAR 3/8ID X 1 1/8OD | 2 |
| 32 | 20222 | HEX HD BOLT, 3/8-16UNC X 1 ¼ | 2 |
| 33 | 57438 | SLIDE ROD | 1 |
| 34 | 24290 | E-CLIP, 3/8 | 2 |
| 35 | 57448 | TENSION ROD | 1 |
| 36 | 22940 | COLLAR, 5/8ID X 23/32OD | 2 |
| 37 | 30793 | COMPRESSION SPRING | 2 |
| 38 | 51090 | CENTER BLOCK | 1 |
| 39 | 20197 | SOCKET HD SHLD BOLT, 5/16-18UNC X 3/8 | 4 |
| 40 | 24286 | E-CLIP, ½" | 1 |
| 41 | 56190 | FORK ASS'Y | 1 |
| 42 | 57446 | CENTER GUIDE ROD | 1 |
| 43 | 21012 | HEX NUT ¼-20UNC | 1 |
| 44 | 22120 | SET SCREW, ¼-20UNC X ½ | 1 |
| 45 | 30715 | COMPRESSION SPRING | 1 |
| 46 | 22702 | BEARING BALL 3/16 | 1 |
| 47 | 57345 | SLIDE PIN, 5/16 RD X 3 | 1 |
| 48 | 57344 | GUIDE PIN, 1/4 RD X 2 1/8 | 1 |
| 49 | 57343 | LINKAGE BLOCK | 1 |
| 50 | 22160 | SET SCREW, ¼-28UNF X ¼ | 2 |
| 51 | 21710 | FLAT WASHER, 5/16ID | 2 |
| 52 | 22012 | TRUSS HD. BOLT, 1/4-20UNC X 1/2 | 2 |
| 53 | 57454 | TENSION SCREW, 3/8 RD X 2 1/2 | 1 |
| 54 | 57444 | COCKING ROD, 1/2 RD X 13 | 1 |
| 55 | 57472 | COCKING HANDLE (LH) | 1 |

DROP CHEST & LUMBAR CUSHION



Note: Item #40 is used only on table's with Breakaway Chest.

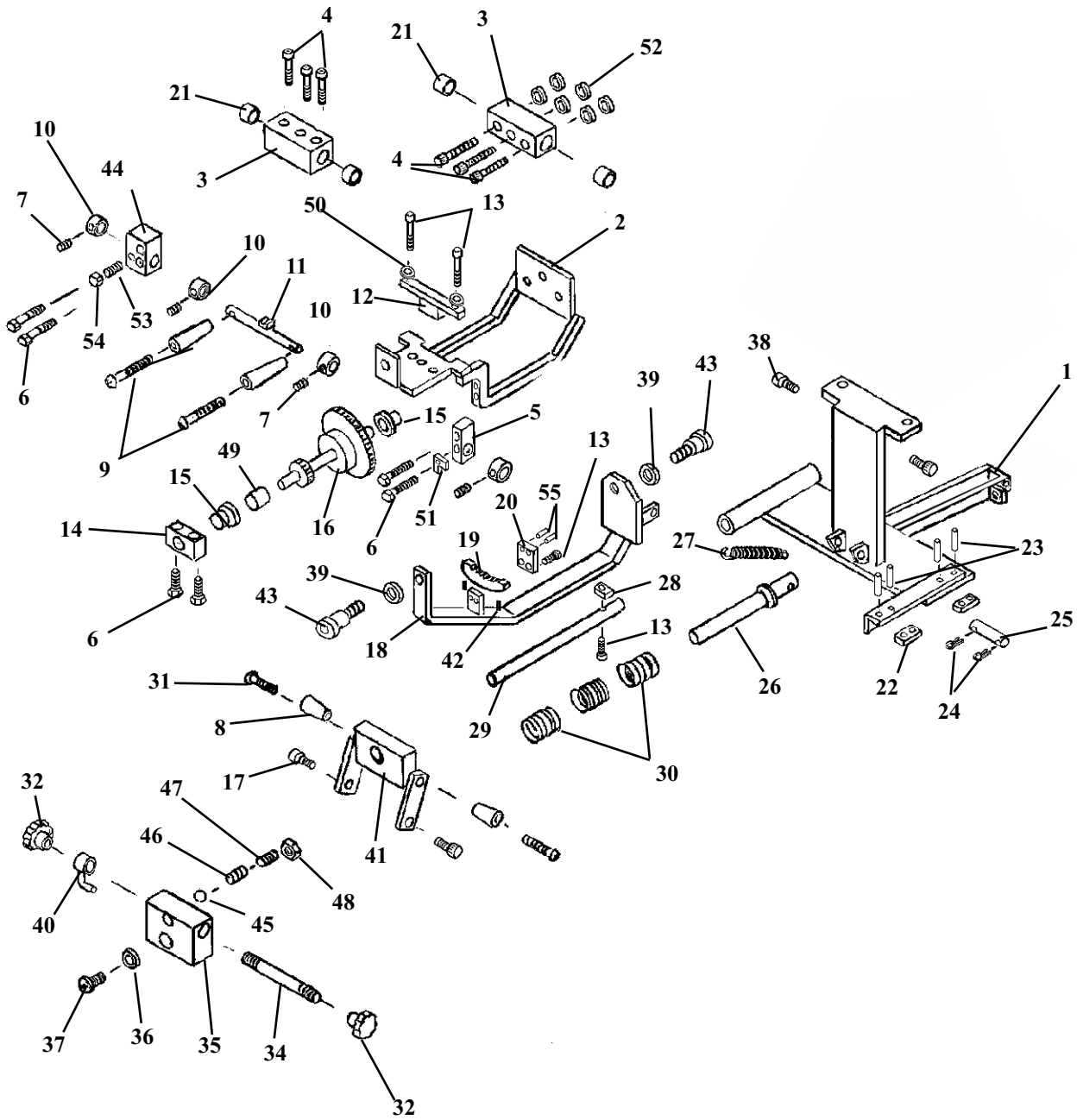
Note: For Detail Parts on Breakaway Chest refer to Deluxe Chest Cushion (pages 31 & 32).



DROP CHEST & LUMBAR CUSHION

| ITEM | PART NO. | DESCRIPTION | QTY. |
|------|----------|--------------------------------------------------|------|
| 1 | 57309 | CHEST & LUMBAR FRAME ASSEMBLY | 1 |
| 2 | 40510 | CUSHION, DROP CHEST | 1 |
| 3 | 40530 | CUSHION, DROP LUMBAR | 1 |
| 4 | 57330 | MOUNTING PLATE ASS'Y | 2 |
| 5 | 57416 | COCKING HANDLE BAR (RH) | 2 |
| 6 | 57436 | COCKING HANDLE BAR (LH) | 2 |
| 7 | 30420 | DROP BLOCK, ALUMINUM (LH) | 2 |
| 8 | 30426 | SHAFT, STEEL | 2 |
| 9 | 22710 | STEEL BALL, 1/2" | 2 |
| 10 | 22700 | STEEL BALL, 3/8" | 2 |
| 11 | 30830 | COMPRESSION SPRING, 1/4 ID X 1/2 OD X 2 | 2 |
| 12 | 20250 | BOLT, HEX HEAD, 5/16 - 18 UNC X 2 | 3 |
| 13 | 21755 | WASHER, STAR, 5/16 ID X 0.60 OD | 6 |
| 14 | 21860 | WASHER, FLAT, 7/16 ID X 1 OD | 2 |
| 15 | 20321 | BOLT, HEX HEAD, 3/8 - 24 UNF X 3/4 | 4 |
| 16 | 22160 | SET SCREW, 1/4 - 28 UNF X 1/4 | 4 |
| 17 | 21915 | WASHER, FLAT, PLASTIC, 9/16 ID X 11/16 OD X 1/16 | 4 |
| 18 | 22670 | ROLL PIN, 1/8 X 3/4 | 8 |
| 19 | 24012 | HANDLE, 3/8 - 16 UNC X 1/2 STUD | 4 |
| 20 | 24180 | KNOB, TENSION | 4 |
| 21 | 52530 | ROD, TENSION ADJUSTMENT, 3/8 RD X 12 7/8 | 1 |
| 22 | 52510 | ROD, TENSION ADJUSTMENT, 3/8 RD X 17 3/4 | 1 |
| 23 | 52350 | ROD, COCKING, 1/2 RD X 9 1/4 | 2 |
| 24 | 24150 | KNOB, LOCK | 2 |
| 25 | 57440 | STUD, 3/8 RD X 2 11/16 | 2 |
| 26 | 30312 | GEAR, PLASTIC, 3/8 ID X 1 1/8 OD X 36 TH | 2 |
| 27 | 30310 | GEAR, PLASTIC, 3/8 ID X 1 1/2 OD X 5/8 | 2 |
| 28 | 24290 | E-RING, SNAP, 3/8 | 4 |
| 29 | 21010 | NUT, HEX, 1/4 - 20 UNC | 4 |
| 30 | 22120 | SET SCREW, 1/4 - 20 UNC X 1/2 | 4 |
| 31 | 22030 | SCREW, MACH, FLAT HEAD, 1/4 - 20 UNC X 1 | 8 |
| 32 | 40730 | CUSHION PAD | 2 |
| 33 | 57397 | BUSHING, 3/8 ID X 1/2 OD X 0.337 | 2 |
| 34 | 22845 | BUSHING, BALL BEARING, 3/4 ID X 1 5/8 | 2 |
| 35 | 21820 | WASHER, LOCK, 3/8 ID | 2 |
| 36 | 22685 | ROLL PIN, 3/16 X 1 | 2 |
| 37 | 20320 | BOLT, HEX HEAD, 3/8 - 16 UNC X 3/4 | 4 |
| 38 | 22810 | BEARING, 3/8 ID X 13/16 OD | 4 |
| 39 | 37928 | SPACER, 3/8 ID X 1/2 OD X 3/16 | 4 |
| 40 | 57342 | REINFORCEMENT PLATE, 5/16 X 2 X 4 | 1 |
| 41 | 20253 | BOLT, HEX HEAD, 5/16 - 18 UNC X 2 1/4 | 3 |
| 42 | 20332 | BOLT, HEX HEAD, 3/8 - 16 NC X 1 | 2 |
| 43 | 57450 | EYE-ROD ASS'Y, 9/16 RD X 6 9/16 | 1 |
| 44 | 54082 | BLOCK, DROP CHEST, 3/4 X 1 X 3 5/8 | 1 |
| 45 | 56203 | BRACKET, SUPPORT YOKE | 1 |
| 46 | 51230 | ROD, ADJUSTMENT, DROP BLOCK, 1/2 X 11 1/4 | 1 |
| 47 | 30870 | SPRING, TORSION COIL, 19 GA | 1 |
| 48 | 24020 | HANDLE, BLACK | 2 |
| 49 | 22050 | SCREW, MACHINE, RD HEAD, 1/4 - 20 NC X 2 1/2 | 2 |
| 50 | 20332 | BOLT, HEX HEAD, 3/8 - 16 NC X 1 | 2 |
| 51 | 24286 | SNAP RING, 9/16" | 1 |
| 52 | 22660 | ROLL PIN, 1/8 X 5/8 | 1 |
| 53 | 51920 | PIN, EYE-ROD, 1/2 RD X 2 3/8 | 1 |
| 54 | 57319 | BRACKET ASS'Y, ATTACHMENT | 1 |
| 55 | 20253 | BOLT, HEX HEAD, 5/16 - 18 NC X 2 1/4 | 3 |
| 56 | 22640 | COTTER PIN, 3/32 X 1 | 2 |

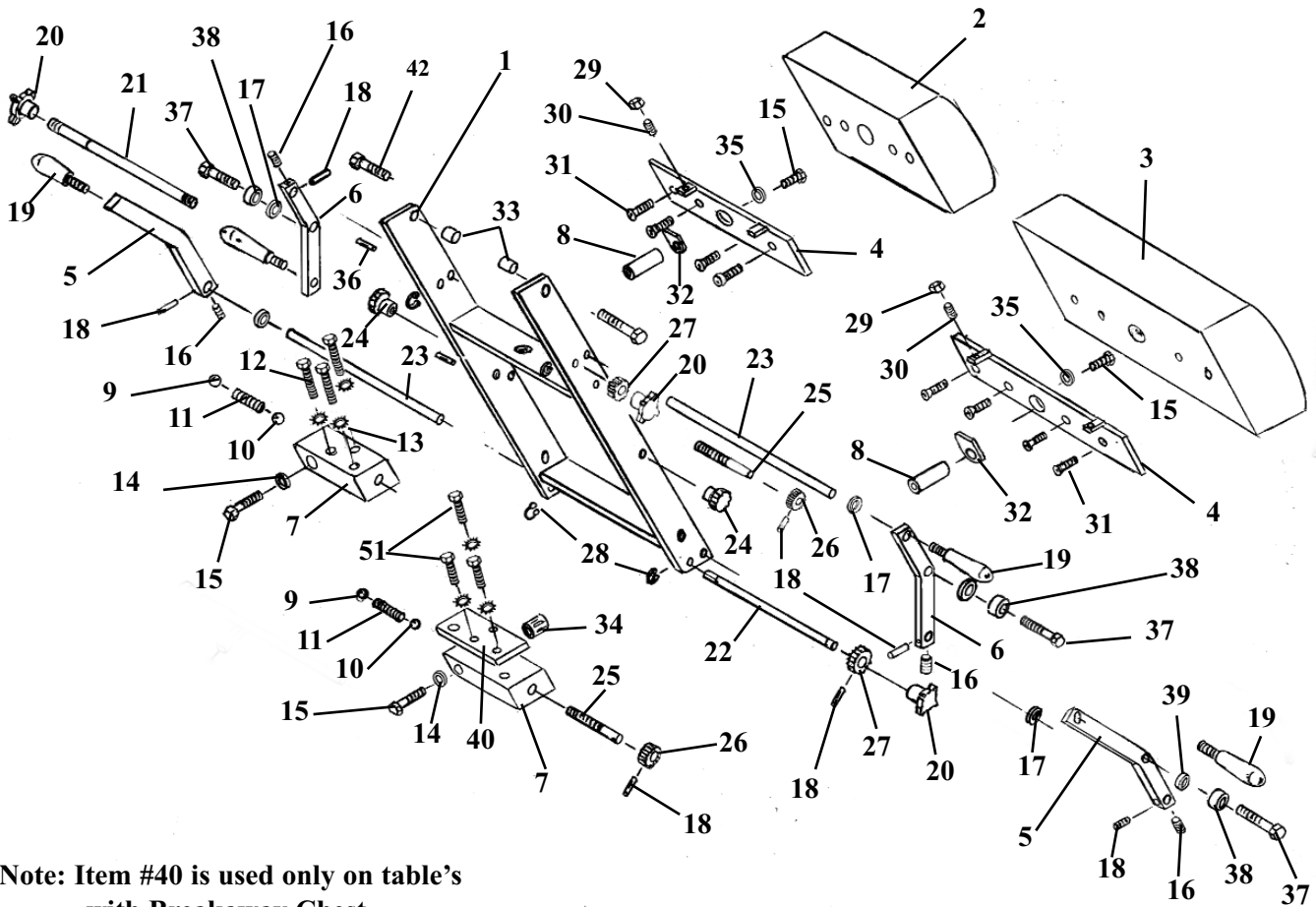
ROTATION CHEST FRAME ASS'Y



ROTATION CHEST FRAME ASSEMBLY

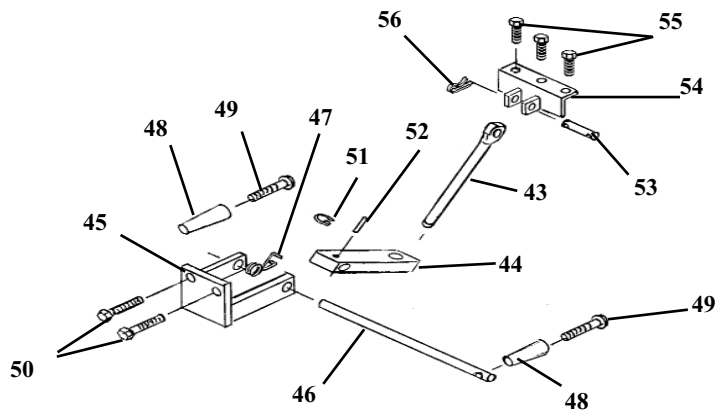
| ITEM | PART NO. | DESCRIPTION | QTY. |
|------|----------|-------------------------------------------------------|------|
| 1 | 55997 | I-FRAME ASS'Y, ROTATION CHEST | 1 |
| 2 | 57303 | GEAR TRAIN FRAME ASS'Y, SWIVEL YOKE | 1 |
| 3 | 57401 | BLOCK, GUIDE, SWIVEL CHEST ASS'Y, 1 ¼ X 1 ½ X 2 ¾ | 2 |
| 4 | 20024 | BOLT, SOCKET HEAD, ¼ - 20 NC X 1 ¼ | 6 |
| 5 | 57394 | BLOCK, LOCKING ROD, SWIVEL CHEST, 7/16 X 5/8 X 1 7/16 | 1 |
| 6 | 20023 | BOLT, HEX HEAD, ¼ - 20 NC X 1 ¼ | 4 |
| 7 | 22110 | SET SCREW, ¼ - 20 NC X ¼ | 4 |
| 8 | 24022 | HANDLE | 4 |
| 9 | 22033 | SCREW, MACH, RD HEAD, ¼ - 20 NC X 1 ½ | 2 |
| 10 | 22912 | COLLAT, SET, 3/8 ID | 4 |
| 11 | 57333 | LOCK ROD ASS'Y, SWIVEL CHEST | 1 |
| 12 | 57338 | TEE BRACKET ASS'Y, CHEST, TILT FRAME | 1 |
| 13 | 20112 | BOLT, HEX HEAD, ¼ - 28 NF X 5/8 | 4 |
| 14 | 57395 | BLOCK, GEAR FRAME MOUNTING, 7/16 X 5/8 X 1 ¾ | 1 |
| 15 | 22885 | BUSHING, 3/8 ID x ½ OD x 15/32 | 2 |
| 16 | 57329 | GEAR TRAIN ASS'Y, SWIVEL CHEST | 1 |
| 17 | 20197 | BOLT, SOCKET HEAD, 5/16 - 18 NC, SHOU 3/8 X 3/8 | 3 |
| 18 | 57306 | YOKE SUPPORT FRAME ASS'Y | 1 |
| 19 | 57396 | GEAR RACK, 5/16 X 7/16 X 14 TEETH | 1 |
| 20 | 57337 | GEAR BRACKET ASS'Y, 3/16 X 1 X 1 | 1 |
| 21 | 22893 | BUSHING, GUIDE, 5/8 ID X 1 1/8 SUPER 10 | 4 |
| 22 | 55944 | SHIM, PLASTIC | 2 |
| 23 | 22657 | ROLL PIN, 1/8 RD X 3/8 | 4 |
| 24 | 22640 | COTTER PIN, 3/32 X 1 | 1 |
| 25 | 58449 | PIN, SUPPORT, 3/8 RD X 1 11/16 | 1 |
| 26 | 55535 | GUIDE ROD ASS'Y | 1 |
| 27 | 30759 | SPRING, TENSION, 3/8 ID X 7/16 OD X 2 13/16 | 1 |
| 28 | 57386 | SPACER ADJUSTMENT, ¼ X ¾ X 7/16 | 1 |
| 29 | 57387 | GUIDE ROD, 7/16 DIA X 5 15/16 | 1 |
| 30 | 30846 | COMPRESSION SPRING, ¾ ID X 1 7/32 OD | 3 |
| 31 | 22035 | SCREW, MACH, ROUND HEAD, ¼ - 20 NC X 1 ¾ | 2 |
| 32 | 24150 | KNOB, LOCK | 2 |
| 33 | 22090 | SET SCREW, #10 - 32 NF X 3/16 | 1 |
| 34 | 57302 | SCREW, ADJUSTMENT, 5/16 RD X 3 ½ | 1 |
| 35 | 51090 | YOKE BLOCK, 1 X 1 ½ X 1 11/16 | 1 |
| 36 | 21860 | WASHER, FLAT, 7/16 ID X 1 OD | 1 |
| 37 | 22012 | SCREW, MACH, TRUSS HEAD, ¼ - 20 NC X ½ | 1 |
| 38 | 20205 | BOLT, SOCKET HEAD, 5/16 - 18 NC, SHOU 3/8 X 1 | 2 |
| 39 | 21850 | WASHER, FLAT, PLASTIC, 3/8 ID X 1 | 1 |
| 40 | 50570 | LOCK PIN ASS'Y | 1 |
| 41 | 57307 | BREAKAWAY LOCK BRACKET ASS'Y | 1 |
| 42 | 22162 | SET SCREW, ¼ - 28 NF X 5/8 | 1 |
| 43 | 20199 | BOLT, SOCKET HEAD, 5/16 - 18 NC, SHOU 3/8 X ½ | 1 |
| 44 | 57383 | LOCK BLOCK, ¾ X ¾ X 1 7/16 | 1 |
| 45 | 22702 | BALL, STEEL, 3/16 | 1 |
| 46 | 30715 | SPRING, COMPRESSION, 3/16 ID X 0.140 X 3/8 | 1 |
| 47 | 22120 | SET SCREW, ¼ - 20 NC X ½ | 1 |
| 48 | 21012 | NUT, JAM, ¼ - 20 NC | 2 |
| 49 | 57397 | BUSHING, GEAR TRAIN, 3/8 ID X ½ OD X 3/8 | 1 |
| 50 | 21630 | WASHER, STAR, ¼ ID X ½ OD | 2 |
| 51 | 57415 | PLATE, STOP, LOCK HANDLE, SWIVEL CHEST, 1/8 X ½ X ¾ | 1 |
| 52 | 21620 | WASHER, FLAT, ¼ ID X 9/16 OD | 6 |
| 53 | 22232 | SET SCREW, 5/16 - 18 NC X ½ | 1 |
| 54 | 21110 | NUT, JAM, 5/16 - 18 NC | 1 |
| 55 | 22660 | ROLL PIN, 1/8 X 5/8 (GROUND OFF TO ½ ") | 2 |

DROP CHEST & LUMBAR CUSHION



Note: Item #40 is used only on table's with Breakaway Chest.

Note: For Detail Parts on Breakaway Chest refer to Deluxe Chest Cushion (pages 22 & 23).

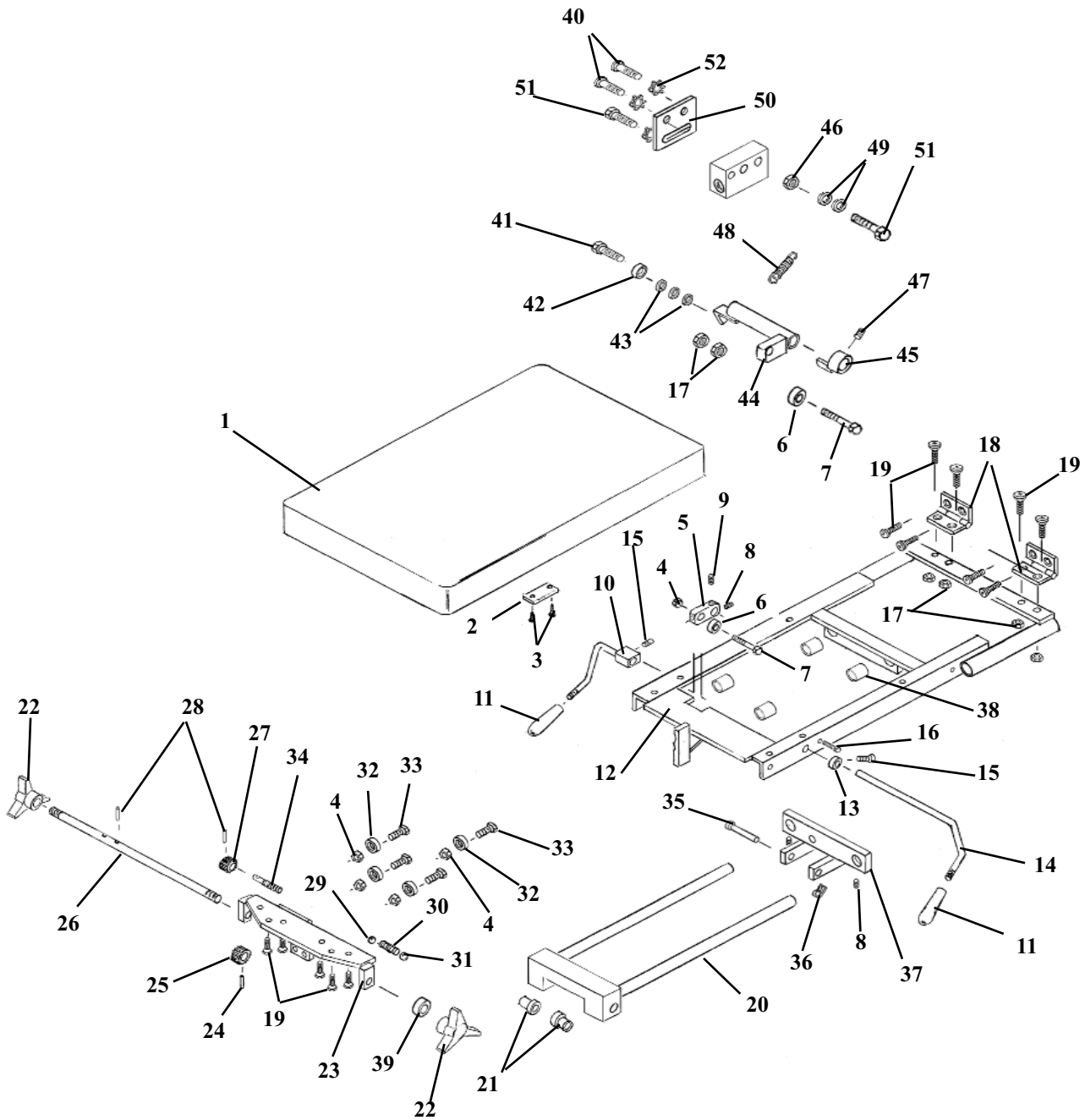


ROTATION CHEST CUSHION ASSEMBLY DROP DORSAL & LUMBAR

| ITEM | PART NO. | DESCRIPTION | QTY. |
|------|----------|------------------------------------------------|------|
| 1 | 57308 | FRAME ASS'Y, ROTATION CHEST | 1 |
| 2 | 40510 | CUSHION, DORSAL | 1 |
| 3 | 40530 | CUSHION, LUMBAR | 1 |
| 4 | 40230 | CUSHION, EXTENSION | 1 |
| 5 | 57384 | TONGUE, EXTENSION, 9/16 RD X 9 3/8 | 2 |
| 6 | 22030 | SCREW, MACH, FLAT HEAD, 1/4 - 20 NC X 1 | 8 |
| 7 | 56202 | GUARD, CUSHION | 2 |
| 8 | 22460 | SCREW, SHEET METAL, PAN HD, #10 X 1/2 | 4 |
| 9 | 24015 | HANDLE, GRIP | 4 |
| 10 | 57416 | HANDLE, COCKING (RH) | 1 |
| 11 | 57436 | HANDLE, COCKING (LH) | 1 |
| 12 | 24180 | KNOB, TENSION | 4 |
| 13 | 22160 | SET SCREW, 1/4 - 28 NF X 1/4 | 4 |
| 14 | 22670 | ROLL PIN, 1/8 X 3/4 | 8 |
| 15 | 21915 | WASHER, FLAT, PLASTIC, 9/16 ID X 11/16 OD | 4 |
| 16 | 20023 | BOLT, HEX HEAD, 1/4 - 20 NC X 1 1/4 | 12 |
| 17 | 21630 | WASHER, STAR, 1/4 ID X 1/2 OD | 8 |
| 18 | 57385 | BRACKET, LEAF | 2 |
| 19 | 57399 | ROD, SUPPORT, COCKING HANDLE, ROT CHEST | 2 |
| 20 | 22120 | SET SCREW, 1/4 - 20 NC X 1/2 | 1 |
| 21 | 57330 | MOUNTING PLATE ASS'Y | 1 |
| 22 | 21010 | NUT, HEX. 1/4-20 UNC | 6 |
| 23 | 20321 | BOLT, HEX HEAD, 3/8 - 24 NF X 3/4 | 4 |
| 24 | 30426 | STEEL SHAFT, 3/4 Dia | 2 |
| 25 | 57391 | ROD, SLIDE, SWIVEL CHEST, 5/8 RD X 11 3/4 | 2 |
| 26 | 40730 | PAD, CUSHION | 2 |
| 27 | 22004 | SCREW, MACH, SOCKET HEAD, #10 - 24 NC X 1 | 3 |
| 28 | 21820 | WASHER, STAR, 3/8 X 11/16 | 2 |
| 29 | 57390 | RACK, GEAR, 1/2 X 1/2 X 8 3/16 | 1 |
| 30 | 57392 | ROD, TENSION, SWIVEL CHEST, 3/8 RD X 13 9/16 | 1 |
| 31 | 57393 | ROD, TENSION, SWIVEL CHEST, 3/8 RD X 18 | 1 |
| 32 | 30312 | GEAR, PLASTIC, 3/8 ID X 1 1/8 OD | 2 |
| 33 | 30310 | GEAR, PLASTIC, 3/8 ID X 1 1/2 OD | 2 |
| 34 | 24290 | E-CLIP | 4 |
| 35 | 57440 | STUD, CHEST-LUMBAR, 3/8 RD X 2 11/16 | 2 |
| 36 | 22845 | BEARING, BALL, BUSHING, 3/4 ID X 1 5/8 | 2 |
| 37 | 20253 | BOLT, HEX HEAD, 5/16 - 18 NC X 2 1/4 | 6 |
| 38 | 21755 | WASHER, STAR, 5/16 ID X 0.60 OD | 6 |
| 39 | 30420 | BLOCK, DROP, ALUMINUM (LH) | 2 |
| 40 | 30830 | SPRING, COMPRESSION, 1/4 ID X 1/2 OD X 2 | 2 |
| 41 | 22700 | BALL, STEEL, 3/8 ID | 2 |
| 42 | 22710 | BALL, STEEL, 1/2 DIA | 2 |
| 43 | 21450 | NUT, HEX, #10 - 24 NC | 3 |
| 44 | 52731 | ARM, COCKING, 9/16 X 3/4 X 2 5/8 | 2 |
| 45 | 22090 | SET SCREW, #10 - 32 NF X 3/16 | 4 |
| 46 | 22810 | BEARING, BALL, 3/8 ID | 2 |
| 47 | 21210 | NUT, HEX, 3/8 - 16 NC | 2 |
| 48 | 22260 | SET SCREW, 5/16 - 24 NF X 1/4 | 2 |
| 49 | 22250 | SET SCREW, 5/16 - 24 NF X 1/2 | 2 |
| 50 | 57332 | PLATE, MOUNTING, CUSHION, SWIVEL CHEST | 2 |
| 51 | 21860 | WASHER, FLAT, 7/16 ID X 1 OD | 2 |
| 52 | 20332 | BOLT, HEX HEAD, 3/8 - 16 NC X 1 | 2 |
| 53 | 57315 | ARM, COCKING, SWIVEL CHEST, 7/16 X 3/4 X 5 1/2 | 2 |
| 54 | 22685 | ROLL PIN, 3/16 X 1 | 2 |

T-DROP PELVIC ASS'Y

NON-ROTATION



T-DROP PELVIC ASS'Y

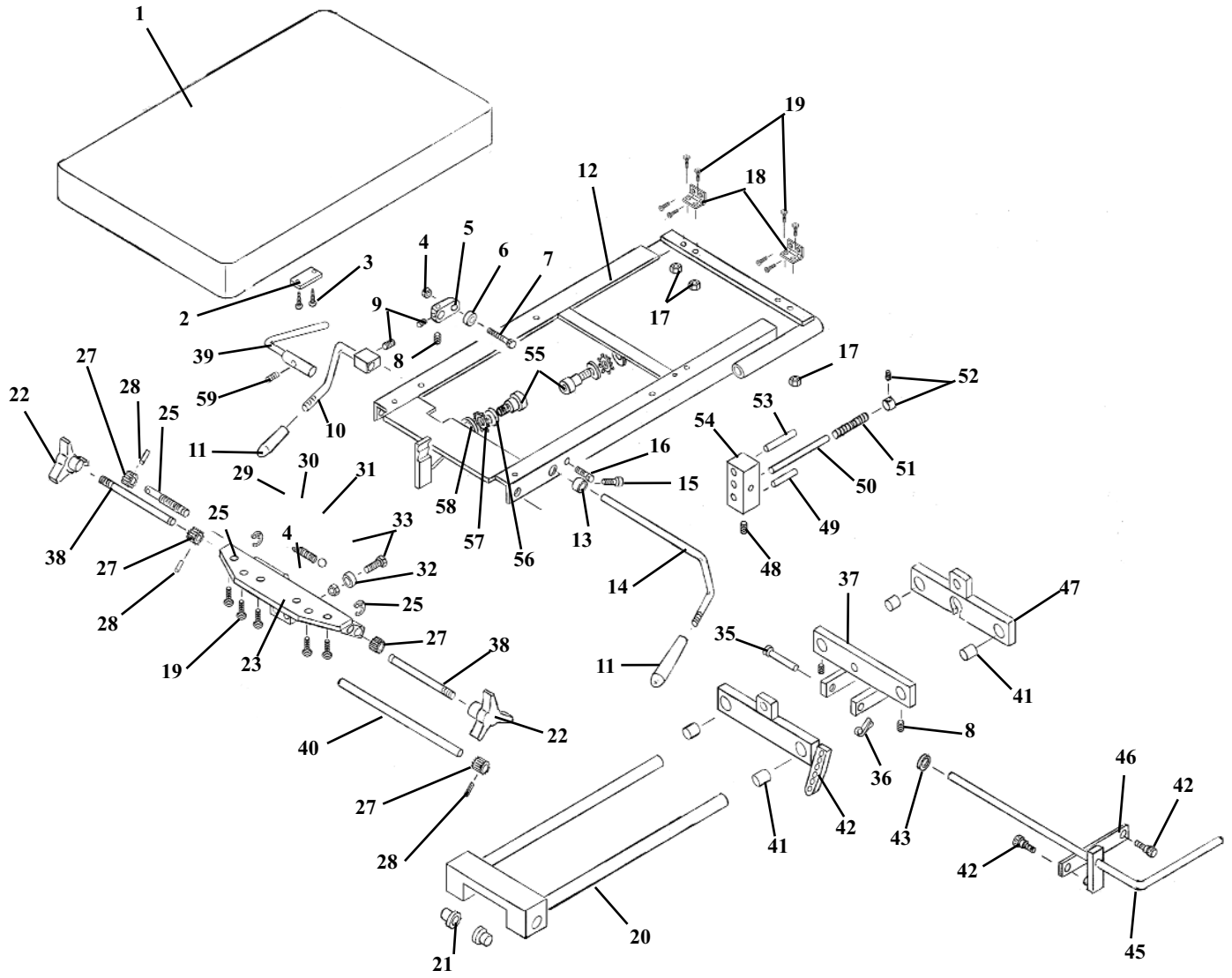
NON-ROTATION

| ITEM | PART NO. | DESCRIPTION | QTY. |
|------|----------|--------------------------------------------------|------|
| 1 | 40307 | PELVIC CUSHION ASS'Y | 1 |
| 2 | 56493 | STRIKER PLATE | 1 |
| 3 | 22469 | FLAT HD WOOD SCREW, #10 X 7/8 | 2 |
| 4 | 21210 | HEX NUT, 3/8-16UNC | 5 |
| 5 | 56359 | COCKING ARM | 1 |
| 6 | 22810 | ROLLER BEARING | 1 |
| 7 | 20350 | HEX HD BOLT, 3/8-16UNC X 1 3/4 | 1 |
| 8 | 22250 | SET SCREW, 5/16-24UNF X 1/2 | 3 |
| 9 | 22260 | SET SCREW, 5/16-24UNF X 1/4 | 1 |
| 10 | 56565 | COCKING HANDLE ASS'Y | 1 |
| 11 | 22660 | PLASTIC HANDLE | 2 |
| 12 | 58527 | CARRIAGE FRAME ASS'Y | 1 |
| 13 | 22930 | COLLAR 7/16ID | 1 |
| 14 | 56378 | COCKING HANDLE | 1 |
| 15 | 22120 | SET SCREW,, 1/4-20UNC X 1/2 | 1 |
| 16 | 20010 | HEX HD BOTL, 1/4-20UNC X 3/4 | 1 |
| 17 | 21010 | HEX NUT, 1/4-20UNC | 2 |
| 18 | 58181 | HING, 2X2 | 2 |
| 19 | 22030 | FLAT HD SCREW, 1/4-20UNC X 1.00 | 14 |
| 20 | 58542 | GUIDE FRAME ASS'Y | 1 |
| 21 | 22888 | BRASS CAP BUSHING | 2 |
| 22 | 24180 | TENSION KNOB | 2 |
| 23 | 58547 | BEARING PLATE ASS'Y | 1 |
| 24 | 22670 | ROLL PIN, 1/8 X 3/4 | 1 |
| 25 | 30312 | PLASTIC GEAR, 3/8ID X 1 1/8OD X 36 TH | 1 |
| 26 | 58596 | TENISON ROD, 3/8RD X 21 | 1 |
| 27 | 30311 | PLASTIC GEAR, 3/8RD X 15/16OD X 28 TH | 1 |
| 28 | 22660 | ROLL PIN, 1/8 X 5/8 | 1 |
| 29 | 22700 | STEEL BALL, 3/8 DIA | 1 |
| 30 | 30710 | COMPRESSION SPRING | 1 |
| 31 | 22710 | STEEL BALL, 1/2 DIA | 1 |
| 32 | 22812 | BALL BEARING, 3/8ID | 4 |
| 33 | 20332 | HEX HD BOLT, 3/8-16UNC X 1 | 4 |
| 34 | 56332 | TENSION SCREW | 1 |
| 35 | 22615 | CLEVIS PIN, 5/16 X 2 | 1 |
| 36 | 22639 | COTTER PIN, 3/32 X 1/2 | 1 |
| 37 | 58594 | SLIDE BRACKET ASS'Y | 1 |
| 38 | 22850 | BUSHING NYLON 3/4 ID X 7/8 OD X 3/4 | 4 |
| 39 | 22912 | SET COLLAR, 3/8 ID | 1 |

OPTIONAL AUTO COCKING PARTS

| | | | |
|----|-------|---------------------------------------|---|
| 40 | 22030 | SCREW, MACHINE, FLAT HD, /4-20 X 1.00 | 2 |
| 41 | 20022 | HEX HD, BOLT, 1/4-20UNC X 1.00 | 1 |
| 42 | 22805 | ROLLER BEARING, 1/4ID | 1 |
| 43 | 21620 | WASHER, FLATE, 1/4ID X 9/16OD | 3 |
| 44 | 58582 | TRANSFER AXIAL ASSEMBLY | 1 |
| 45 | 58559 | COCKING COLLAR ASS'Y | 1 |
| 46 | 21010 | HEX NUT 1/4-20UNC | 1 |
| 47 | 22110 | SET SCREW, 1/4-20UNC X 1/4 | 1 |
| 48 | 30725 | TENSION SPRING, 1/4 ID X 1 5/16 | 1 |
| 49 | 21610 | WASHER, PLASTIC, 1/4 ID | 2 |
| 50 | 58595 | MOUNTING PLATE | 1 |
| 51 | 20120 | HEX HD. BOLT, 1/4-28UNF X 1.00 | 3 |
| 52 | 21630 | STAR WASHER, 1/4ID | 4 |

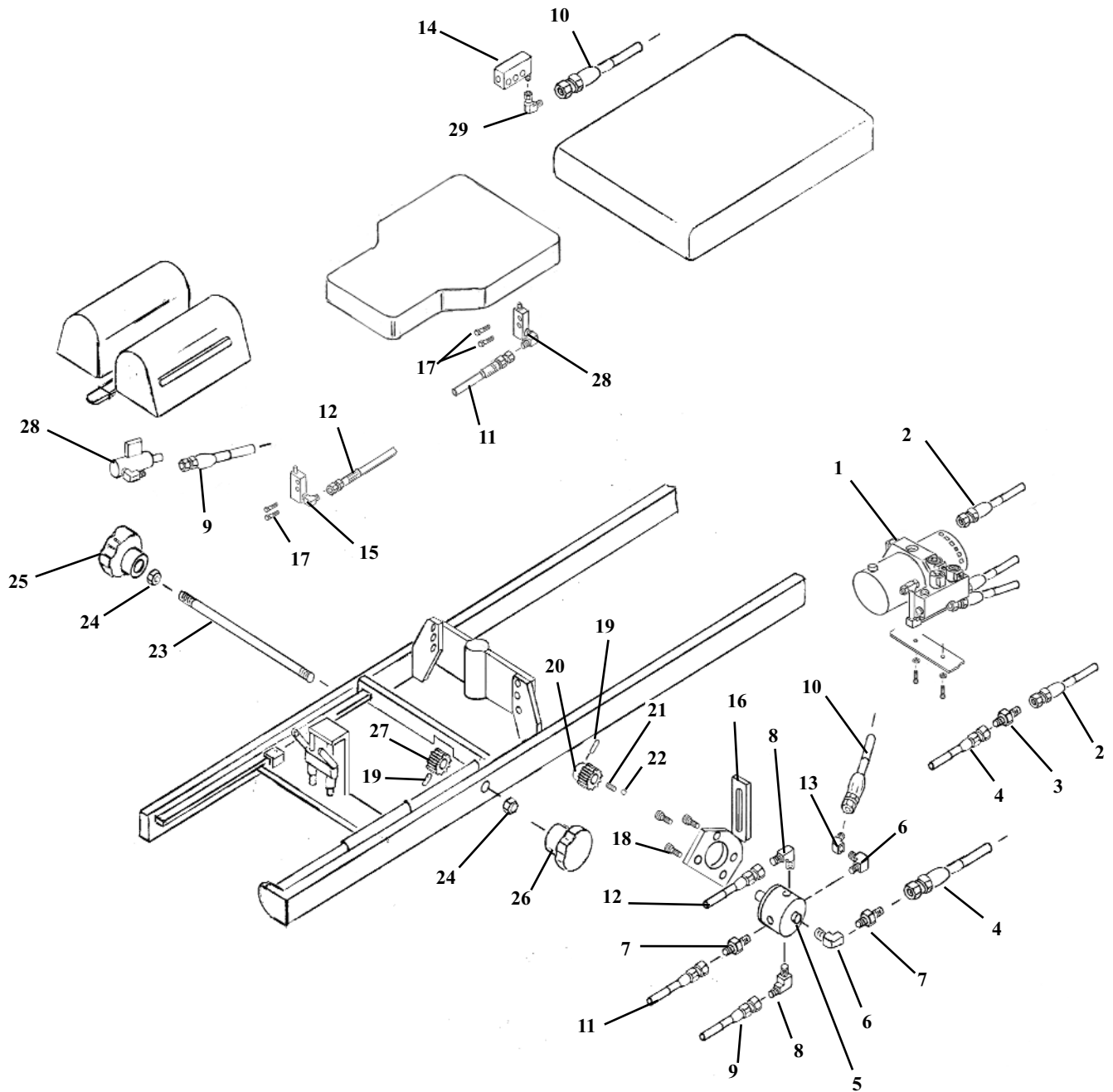
T-DROP ROTATION PELVIC ASSEMBLY



T-DROP ROTATION PELVIC ASSEMBLY

| ITEM | PART NO. | DESCRIPTION | QTY. |
|------|----------|--------------------------------------------|------|
| 1 | 40307 | PELVIC CUSHION ASSEMBLY | 1 |
| 2 | 56493 | STRIKER PLATE | 1 |
| 3 | 22469 | FLAT HD WOOD SCREW, #10 X 7/8 | 2 |
| 4 | 21210 | HEX NUT, 3/8-16UNC | 5 |
| 5 | 56359 | COCKING ARM | 1 |
| 6 | 22810 | ROLLER BEARING | 1 |
| 7 | 20350 | HEX HD BOLT, 3/8-16UNC X 1 3/4 | 1 |
| 8 | 22250 | SET SCREW, 5/16-24UNF X 1/2 | 2 |
| 9 | 22260 | SET SCREW, 5/16-24UNF X 1/4 | 1 |
| 10 | 56565 | COCKING HANDLE ASS'Y | 1 |
| 11 | 24010 | PLASTIC HANDLE | 2 |
| 12 | 58526 | CARRIAGE FRAME ASS'Y | 1 |
| 13 | 22930 | COLLAR 7/16ID | 1 |
| 14 | 56378 | COCKING HANDLE | 1 |
| 15 | 22120 | SET SCREW, 1/4-20UNC X 1/2 | 1 |
| 16 | 20010 | HEX HD BOLT, 1/4-20UNC X 3/4 | 1 |
| 17 | 21010 | HEX NUT, 1/4-20UNC | 4 |
| 18 | 58181 | HING, 2X2 | 2 |
| 19 | 22030 | FLAT HD SCREW, 1/4-20UNC X 1.00 | 14 |
| 20 | 58542 | GUIDE FRAME ASS'Y | 1 |
| 21 | 22888 | BRASS CAP BUSHING | 2 |
| 22 | 24180 | TENSION KNOB | 2 |
| 23 | 58540 | BEARING PLATE ASS'Y | 1 |
| 24 | 22670 | ROLL PIN, 1/8 DIA. X 3/4 | 1 |
| 25 | 24042 | SNAP RING, 3/8 | 2 |
| 26 | 58596 | TENISON ROD, 3/8 RD X 21 | 1 |
| 27 | 30311 | PLASTIC GEAR, 3/8 ID X 15/16 OD X 28 th | 4 |
| 28 | 22660 | ROLL PIN, 1/8 X 5/8 | 4 |
| 29 | 22700 | STEEL BALL, 3/8 DIA. | 1 |
| 30 | 30710 | COMPRESSION SPRING | 1 |
| 31 | 22710 | STEEL BALL, 1/2 DIA. | 1 |
| 32 | 22812 | BALL BEARING, 3/8 ID | 4 |
| 33 | 20332 | HEX HD BOLT, 3/8-16UNC X 1 | 4 |
| 34 | 56332 | TENSION SCREW | 1 |
| 35 | 22615 | CLEVIS PIN, 5/16 X 2 | 1 |
| 36 | 22639 | COTTER PIN, 3/32 DIA. X 1/2 | 1 |
| 37 | 58594 | SLIDE BRACKET ASS'Y | 1 |
| 38 | 58586 | TENSION ROD, 3/8RD X 5 7/8 | 2 |
| 39 | 53273 | CONTROL HANDLE ASS'Y | 1 |
| 40 | 58587 | JACK SHAFT, 3/8 X 10 1/4 | 1 |
| 41 | 22850 | BUSHING, 3/4 ID X 7/8 OD | 4 |
| 42 | 58543 | ROTATION BLOCK ASS'Y | 1 |
| 43 | 21760 | WASHER, FLAT, 5/16 ID X 1/2 OD | 1 |
| 44 | 21997 | SOCKET HD BOLT, #10-32UNF X 1/2 | 2 |
| 45 | 53271 | LOCK HANDLE ASS'Y | 1 |
| 46 | 53265 | LINKAGE BAR, 1/8 X 1/2 X 2 7/16 | 1 |
| 47 | 58541 | CYLINDER BLOCK, ASS'Y | 1 |
| 48 | 22160 | SET SCREW, 1/4-28UNF X 1/4 | 1 |
| 49 | 53268 | GUIDE PIN, 1/4 RD X 1 3/4 | 1 |
| 50 | 53267 | LOCK PIN, 1/4 RD X 3 1/2 | 1 |
| 51 | 30751 | COMPRESSION SPRING, .29 ID X .37 OD X 2.00 | 1 |
| 52 | 22910 | COLLAR, 1/4 ID | 1 |
| 53 | 22687 | PIN, TAPER #3 | 1 |
| 54 | 58590 | LOCK BLOCK | 1 |
| 55 | 20208 | BOLT, SOCKET HD. 1/2-13UNC X 5/8 | 2 |
| 56 | 24283 | SHIM | 2 |
| 57 | 24050 | WASHER, STAR, 5/8 ID | 2 |
| 58 | 21944 | WASHER, FLAT, 5/8 ID | 2 |
| 59 | 22098 | SET SCREW, #10-32UNF | 1 |

HYDRAULIC ASSEMBLY AUTO T-DROPS

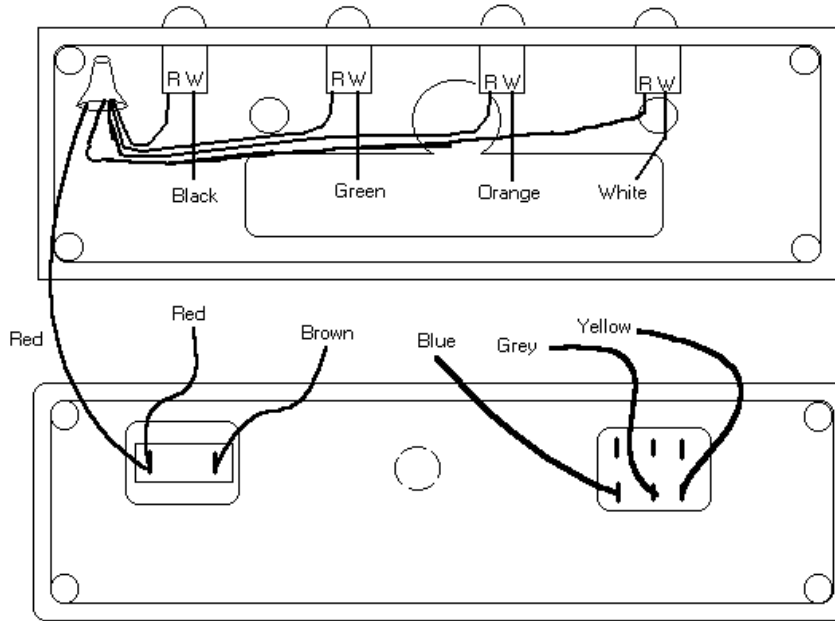


Cocking Cylinder item #28, specify fitting type when ordering.

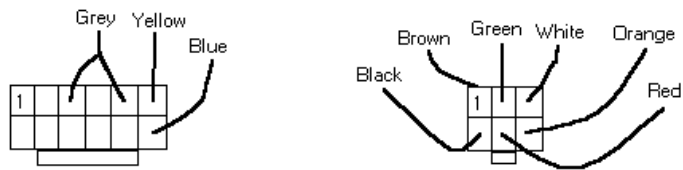
HYDRAULIC ASSEMBLY AUTO T-DROPS

| ITEM | PART NO. | DESCRIPTION | QTY. |
|------|----------|-----------------------------------------------|------|
| 1 | 623452 | MOTOR &PUMP | 1 |
| 2A | 45270 | HYD. HOSE 3/16 X 17 ½ (Pelvic only) | 1 |
| 2B | 45373 | HYD. HOSE 3/6 X 66 (All Auto) | 1 |
| 3 | 23047 | COUPLER MALE ¼" JIC (Pelvic only) | 1 |
| 4 | 45362 | HYD. HOSE, 3/16 X 52 ½ (Pelvic only) | 1 |
| 5 | 31010 | SELECTOR VALVE | 1 |
| 6 | 23130 | FITTING, 90 DEG. 1/8 MALE-FEMALE | 2 |
| 7 | 23040 | COUPLER, MALE 1/8" JIC | 2 |
| 8 | 23110 | FITTING, 90 DEG. 1/8" MALE-JIC | 2 |
| 9 | 45320 | HYD. HOSE, 3/16 X 38 ½ (Cervical) | 1 |
| 10 | 45306 | HYD. HOSE, 3/16 X 35 ½ (Pelvic) | 1 |
| 11 | 45298 | HYD. HOSE, 3/16 X 28 ½ (Lumbar) | 1 |
| 12 | 45294 | HYD. HOSE, 3/16 X 24 ½ (Dorsal) | 1 |
| 13 | 23090 | FITTING, 45 DEG. 1/8-JIC | 1 |
| 14 | 625000 | COCKING CYLINDER ASS'Y 5/8" | 1 |
| 15 | 625010 | COCKING CYLINDER ASS'Y ¾ rd. (Side Port) | 1 |
| 16 | 58610 | HANGER ASS'Y, SELECTOR VALVE | 1 |
| 17 | 20112 | BOLT, HEX. HD. ¼-28UNF X 5/8 | 6 |
| 18 | 20000 | BOLT, HEX. HD. #10-32 UNF X ½ | 4 |
| 19 | 22670 | ROLL PIN, 1/8 X ¾ | 1 |
| 20 | 30309 | GEAR, PLASTIC, 3/8 ID X 1 1/2 OD-48 TH | 1 |
| 21 | 30721 | SPRING, COMPRESSION, 3/16 ID X 3/8 OD X 1 1/8 | 2 |
| 22 | 22701 | ROLLER BALL ¼" | 2 |
| 23 | 55134 | SELECTOR ROD, 3/8 RD X 12 7/8 | 1 |
| 24 | 21210 | NUT, HEX, 3/8-16 UNC | 2 |
| 25 | 30000 | SELECTOR KNOB, (RH) | 1 |
| 26 | 30001 | SELECTOR KNOB, (RH) | 1 |
| 27 | 30310 | GEAR, PLASTIC, 3/8 ID X 1 ½ OD X 5/8 | 1 |
| 28 | 625020 | COCKING CYLINDER ASS'Y, ¾ RD. X (Front) | 2 |
| 29 | 23109 | FITTING, 90 DEG. SWIVAL-JIC | 1 |

SAFETY LIGHT PANEL



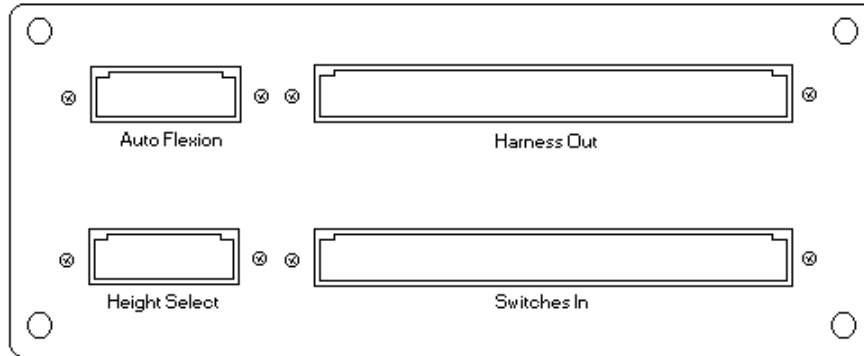
R = Red LED lead
W = White LED lead



(Connectors viewed from wire side)

ULTIMATE CABLE JUNCTION BOX

Ultimate Cable Junction Box (Rat's Nest)



Auto Flexion Cable - AF

1. Auto Flex Down (Green)
2. Motor Run (Blue)
3. Ground (Black)
4. Auto Flex Up (White)
5. Beep Control Output (Brown)
6. Retract Pelvic (Yellow)
7. Flexion Potentiometer Wiper (Violet)
8. (Not used)
9. +5 VDC (Red)
10. (Not used)
11. (Not used)
12. Extend Pelvic (Orange)

| | | | | | |
|----|----|----|---|---|---|
| 12 | 11 | 10 | 9 | 8 | 7 |
| 0 | 0 | 0 | 0 | 0 | 0 |
| 0 | 0 | 0 | 0 | 0 | 0 |
| 6 | 5 | 4 | 3 | 2 | 1 |

Height Select Cable - HS

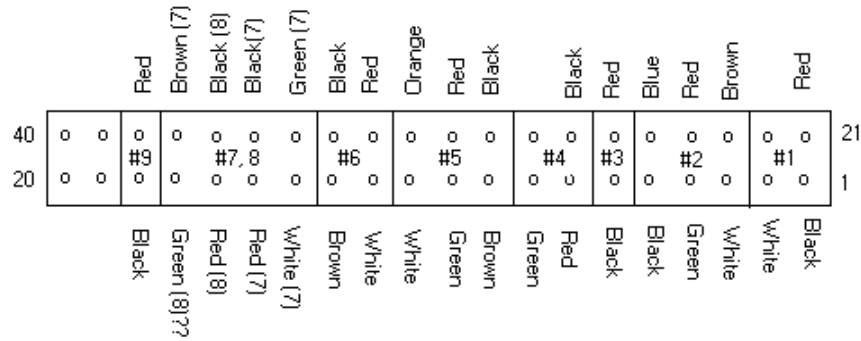
1. Load Out [UP] (Pink)
2. 22-in Stop Command Out (Yellow)
3. Stop Command Out (Grey)
4. Manual / Auto switch Out (Orange)
5. Pedal Common [Beep Input from Pedals] (Violet)
6. Ground (Black)
7. Unload Out [DOWN] (Slate)
8. Height Potentiometer Wiper In (Green)
9. Up Command In (White)
10. Beep Input from Auto Flex (Blue)
11. Auto LED In (Brown)
12. +5 VDC (Red)

| | | | | | |
|----|----|----|---|---|---|
| 12 | 11 | 10 | 9 | 8 | 7 |
| 0 | 0 | 0 | 0 | 0 | 0 |
| 0 | 0 | 0 | 0 | 0 | 0 |
| 6 | 5 | 4 | 3 | 2 | 1 |

ULTIMATE CABLE JUNCTION BOX

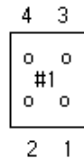
Ultimate Rats Nest Cables Connections

Switches In



Cable #1 - Height Potentiometer

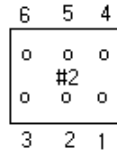
1. Ground (Black)
2. Wiper (White)
3. +5 VDC (Red)
4. (Not used)



Detail showing pin numbers on individual cable (Wire end of plug)

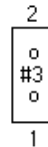
Cable #2 - Foot Pedals

1. UP switches (White)
2. DOWN switches (Green)
3. Ground (Black)
4. Flex Up (Brown)
5. Flex Down (Red)
6. Auto Drop (Blue)



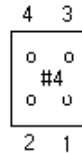
Cable #3 - Tilt Down Activate Switch

1. Tilt Down Activate switch (Red)
2. Ground (Black)



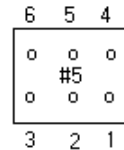
Cable #4 - Chest Extend / Retract Switch

1. Extend Chest switch contact (Red)
2. Retract Chest switch contact (Green)
3. Ground (Black)
4. (Not used)

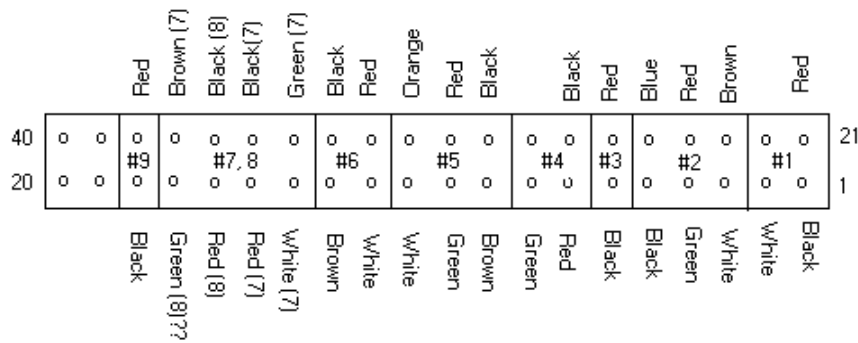


Cable #5 - LED Box

1. Extend Chest / Retract Pelvic button (Brown)
2. Pelvic Extended LED (Green)
3. Ankle Safety LED (White)
4. Side Bending LED (Black)
5. +5 VDC (Red)
6. Pelvic Flexed LED (Orange)

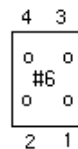


ULTIMATE CABLE JUNCTION BOX



Cable #6 - Motion Control Switches

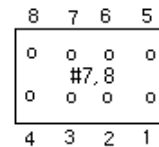
1. Ground (White)
2. Lower Sequence switch [Min EI] (Brown)
3. Tilt Limit switch (Red)
4. Ground (Black)



Check These

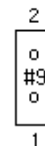
Cables #7 & #8 - Safety Switches (#7) and Flexion Potentiometer (#8)

1. Pelvic Extended switch (White, #7)
2. Side Bending switch (Red, #7)
3. +5 VDC to Flex Potentiometer (Red, #8)
4. Flex Potentiometer Wiper (Green, #8)
5. Ankle Safety switch (Green, #7)
6. Ground from safety switches (Black, #7)
7. Ground from Flex Potentiometer (Black, #8)
8. Pelvic Flexed switch (Brown, #7)



Cable #9 - Upper Sequence switch (closed when table horizontal)

1. Ground (Black)
2. Upper Sequence switch (Red)



ULTIMATE HARNESS CONNECTIONS



Viewed from wire side of connector

Cable Group 1 Wires:

1. Retract Pelvic / Extend Table (Black)
2. Pelvic Extended Safety Switch (Brown)
3. Side Bending Safety Switch (Red)
4. Ankle Rest Safety Switch (Red-Black)
5. Pelvic Flexion Safety Switch (Red-Yellow)
6. Extend Pelvic (from Auto Flex Panel) (Red-Green)
7. Extend Table (Chest Extension) (Orange)
8. Ground (Yellow)
9. Ground (Green)
10. +5 VDC (Blue)
11. +5 VDC (Violet)
12. Upper Sequence switch (closed when table is level) (Gray)
13. Lower Sequence switch (closed at lowest elevation) (Pink)
14. Pedal Common (beep command from pedals) (Slate)
15. Stop Command (from height select panel) (White)
16. 22-inch Stop Command (from height select panel) (White-Black)
17. Load [UP] Pedal (White-Red)
18. Load (UP) Pedal (White-Yellow)
19. Tilt Down Activate switch (White-Green)
20. Manual Flexion Down (White-Blue)

Cable Group 2 Wires:

21. Motor Run (Black)
22. Auto Flex Down (Brown)
23. Auto Flex Up (Red)
24. Retract Pelvic (Red-Black)
25. Manual Flexion Up (Red-Yellow)
26. Retract Table (Chest Retraction) (Red-Green)
27. Ground (Orange)
28. Ground (Yellow)
29. +5 VDC (Green)
30. Auto Drop Pedal (Blue)
31. Height Limit switch (Violet)
32. Manual / Auto LED (Gray)
33. Tilt Limit switch (Pink)
34. Manual / Auto switch (Slate)
35. Up Command (White)
36. Unload Pedal(DOWN (White-Black)
37. Unload Pedal(DOWN (White-Red)
38. Ankle Rest LED (White-Yellow)
39. Side Bending LED (White-Green)
40. Pelvic Extended LED (White-Blue)