

# **LLOYD GALAXY 900HS**

## **OPERATION MANUAL**



**Lloyd Table Company**  
**102 W. Main Street \* Lisbon, IA 52253**  
**Phone 319-455-2110 Fax 319-455-2166**  
**Website [www.lloydtable.com](http://www.lloydtable.com)**  
**Email [sales@lloydtable.com](mailto:sales@lloydtable.com)**  
**Call Toll Free 1-800-553-7297**

**PLEASE INQUIRE ABOUT OTHER  
LLOYD TABLE COMPANY PRODUCTS &  
ACCESSORIES AT 1-800-553-7297**



**LLOYD**  **TABLE  
COMPANY**



102-122 W. Main Street • Lisbon, Iowa 52253-0899 • Phone 319-455-2110  
Call Toll Free 1-800-553-7297 FAX: 319-455-2166

[www.lloydtable.com](http://www.lloydtable.com)

# CONTENTS

<u>OPERATIONS</u>	<u>PAGE</u>	<u>PARTS / ASSEMBLY</u>	<u>PAGE</u>
Safety and Maintenance.....	1 - 2	Ankle Rest .....	25
Head Rest Cushion.....	3 - 5	Foot Stand .....	26
Chest Cushion.....	6	Plastic Covers.....	27
Manual & Automatic Drops.....	7 - 9	Hydraulics.....	28 - 29
Head & Chest Extension / Retraction.....	9	Electrical.....	30 - 31
Ankle Rest.....	10	Straight Drop Head.....	32 - 33
Tilt Safeguard.....	11	Forward Motion Drop Head.....	34 - 35
Foot Pedal Control.....	12	Flexion Head Cushion Assembly.....	36 - 37
Height Select Panel.....	13	Flexion Head - Shuttle Assembly.....	38 - 39
<b><u>PARTS / ASSEMBLY</u></b>	<b><u>PAGE</u></b>	Flexion Head - Slide Frame.....	40 - 41
Tilt Frame.....	4	Flexion Head Rotation Block.....	42 - 43
Base Frame.....	15	Drop Chest & Lumbar.....	44 - 45
Scissor Yoke Frame.....	16	Drop Chest Full Cushion.....	46 - 47
Scissor Frame.....	17	Rotation Chest.....	48 - 49
Deluxe Head Frame.....	18	Rotation Chest with Drops.....	50 - 51
Deluxe Head Cushions.....	19	T-Drop Pelvic.....	52 - 53
Deluxe Head I-Frame.....	20 - 21	Drop Pelvic .....	54 -55
Chest Cushion Assembly.....	22 - 23	Hydraulics - Auto Drops.....	56 - 57
Pelvic Cushion.....	24	Electronic Diagrams.....	58 - 64
		Table Maintenance Schedule.....	65

**Table Serial Number** \_\_\_\_\_

# WELCOME!!

Lloyd Table Company, a proud supporter of today's chiropractors, has established the finest line of chiropractic tables in the world. Table products unique in versatility and function, designed to meet your needs.



Concerned for a safe working and treatment environment, Lloyd Table Company asks that you follow the safety tips below.

- \* Be aware of **Caution** and **Warning** labels posted throughout the table before operating any functions.
- \* Everyone operating the table needs to read the manual and familiarize themselves with all its functions before operating the table with patient on it.
- \* A patient should never be unattended, when lying on the table.  
**NEVER LEAVE A PATIENT ON THE TABLE UNATTENDED!**
- \* The patient should be positioned at or near the center of the table with **arms on the armrest cushions.**
- \* There should be no more than one operator at the controls.
- \* Check the tension on all drops before adjusting the patient. (See Page 7)



## MAINTENANCE

The following steps should be performed on a regular basis to maintain your Lloyd table in a smooth operating condition and to assure its long life and top quality appearance.

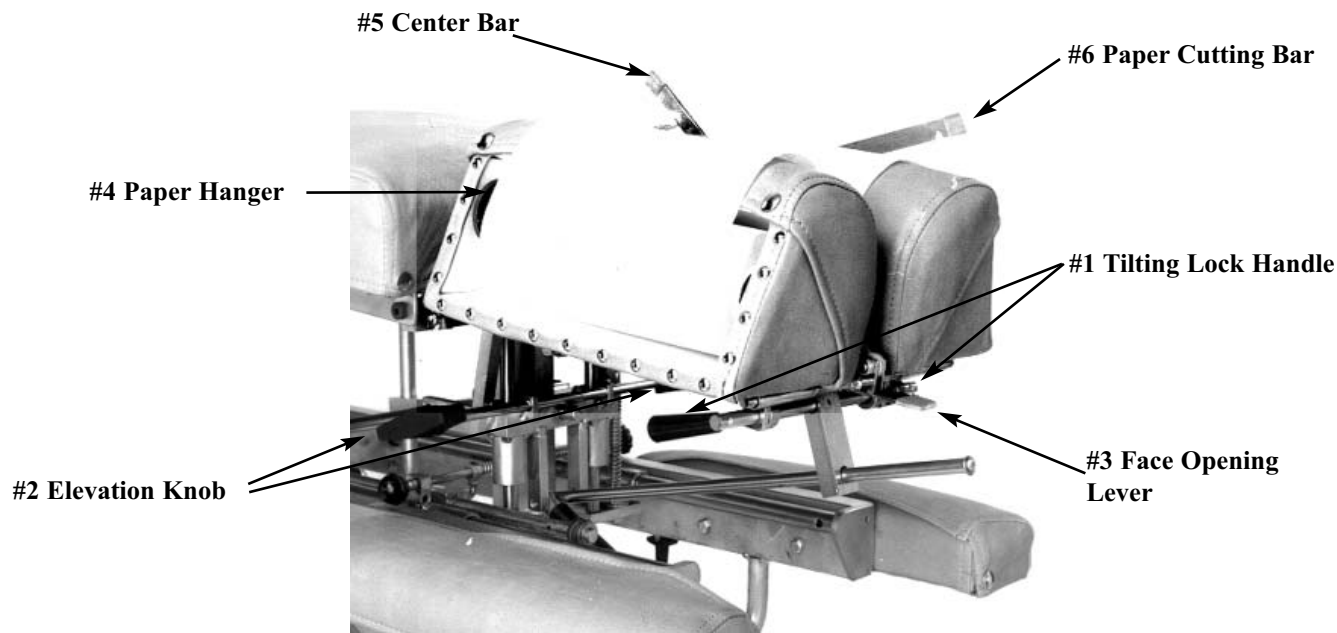
- \* An initial inspection and periodic future inspections should be made to insure that nuts and bolts have not loosened in shipping or during daily operations.
  
- \* Your Lloyd table should be lubricated every **six months**. Parts to be lubricated are all pivot points, and metal to metal sliding mechanisms.  
**(DO NOT LUBRICATE FRICTION LOCKS)**
  
- \* The cushions should be cleaned daily with a mild soap & warm water solution to remove body oils. Rinsed & dried
  
- \* Chrome parts should be cleaned on a weekly basis for appearance.
  
- \* The hydraulic fluid recommended for the pump, is a lubriplate HO1 hydraulic oil, and should be checked on a yearly basis.
  
- \* Perform periodic inspections for oil leaks or drips.

The following sections provide explanations on the operation of your Lloyd table. All references to right and left, will be in relationship to your view, as you face table from the foot end. All references to the front will refer to the head end of the table. Those to the rear will refer to the foot end.

## Head Cushion

The head cushion is designed to provide a multitude of positions & operations through our standard Deluxe Headpiece and optional Total Dimension Flexion™ Headpieces.

### Standard Deluxe Headpiece



#### To Raise the tilting feature on the Deluxe Headpiece:

1. Lift on the bottom front edges of the cushion
2. Release at the desired height, the cushion will automatically lock into position.



#### To Lower the tilting feature on the Deluxe Headpiece:

1. Support the front corner edge of the cushion.
2. Lift the Locking Handle (No. 1) to release.
3. Gently lower the cushion to the desired height.
4. Release the lock handle first and then the cushion to lock.



**WARNING: TO AVOID INJURIES WHEN RAISING OR LOWERING HEAD CUSHIONS, BE SURE TO HAVE A PROPER HOLD ON THE CUSHION BEFORE RELEASING THE ELEVATING HANDLE (NO. 2).**

## Standard - Deluxe Head



### **To Elevate the Head Cushion**

1. The head cushion is assisted by a gas shock in raising the cushion. With a hand supporting the head cushion, turn the Elevation Knob (No. 2) on either side of the table upward to unlock. When the desired height is determined simply release the Elevation Knob (No. 2) to lock.

### **To Lower the Head Cushion**

1. Turn the Elevation Knob upward to unlock. While unlocked push down on the cushion to lower. When the desired height is determined simply rotate the Elevation Knob (No. 2) down to lock.

### **Face Opening Adjustment**

1. The Head Cushion's face opening can be opened or closed to adjust for comfort with the Face Opening Lever (No. 3). By Pushing slightly down on the Face Opening Lever, slide cushions to adjust opening. The Face Opening Lever must be released in one of eight positions to lock the cushions in place.

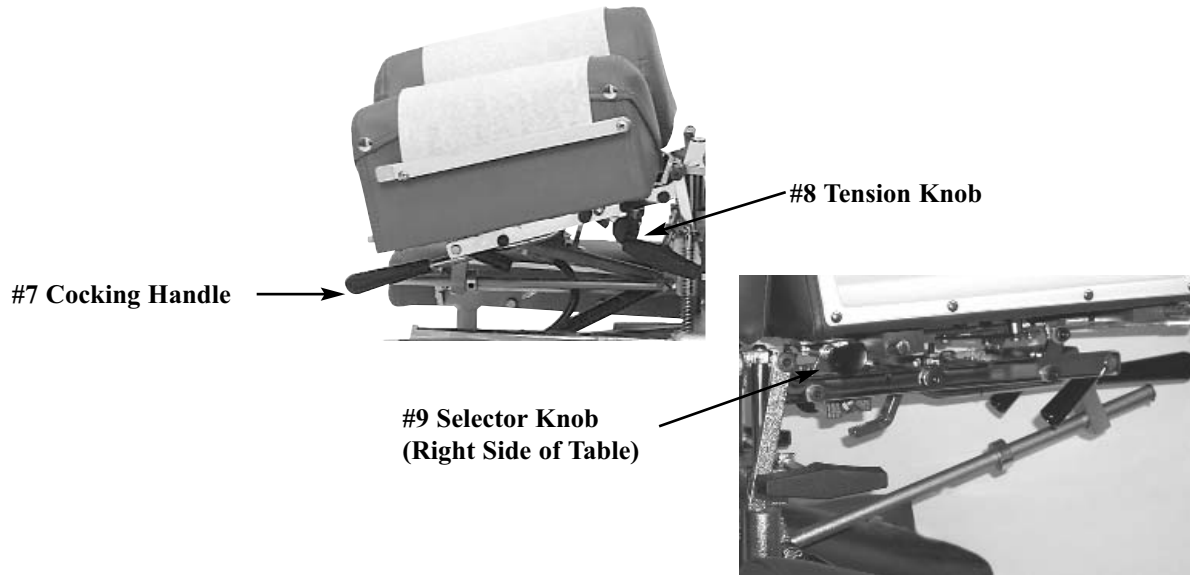
### **Paper Roll**

The paper roll mounts conveniently inside the right-hand cushion.

### **Replacing the Paper Roll**

1. Remove the paper hanger tension rod (No. 4) by compressing ends of the rod horizontally. This will allow you to slide one end out, to remove the paper roll tube.
2. Slide a new paper roll on the tension rod so that it rolls off the bottom side. Compress the rod ends horizontally and set inside the head cushion.
3. Swing the Center Bar (No. 5, Page 3) and Outside Cutting Bar (No. 6, Page 3) up. Route paper over the cushions and down between the two outside cutting bars. Return both bars to their original position.
4. Trim the paper by supporting the paper cutting bar with one hand and pulling the paper up along the bar's edge.

## Optional - Deluxe Head with Drops



### Operating the Straight / Toggle Drop:



**CAUTION: THE DROP CUSHION TENSION SHOULD BE CHECKED AND TESTED BEFORE ADJUSTING A PATIENT.**

**NOTE - DROP SHOULD BE IN DOWN / DEACTIVATED POSITION BEFORE MOVING SELECTOR KNOB (NO. 9) IN OR OUT.**

1. To engage the Straight / Toggle Drop head, pull the selector knob (No. 9) out about half an inch.
2. Push down on the Cocking Handle (No. 7) until the head cushion toggle drop is activated .
3. Once cocked, test the drop by pushing down on the cushion. If the cushion drops easily or too hard, adjust the tension with the Tension Knob (No. 8).

### Operating The Tension Knob:

1. The tension is adjusted by turning the tension knob (No. 8) in a clockwise and counterclockwise direction.
  - A. Clockwise - Increases tension
  - B. Counterclockwise - Decreases tension

### Operating the Forward Motion Drop:



**CAUTION: THE DROP CUSHION TENSION SHOULD BE CHECKED AND TESTED BEFORE ADJUSTING A PATIENT.**

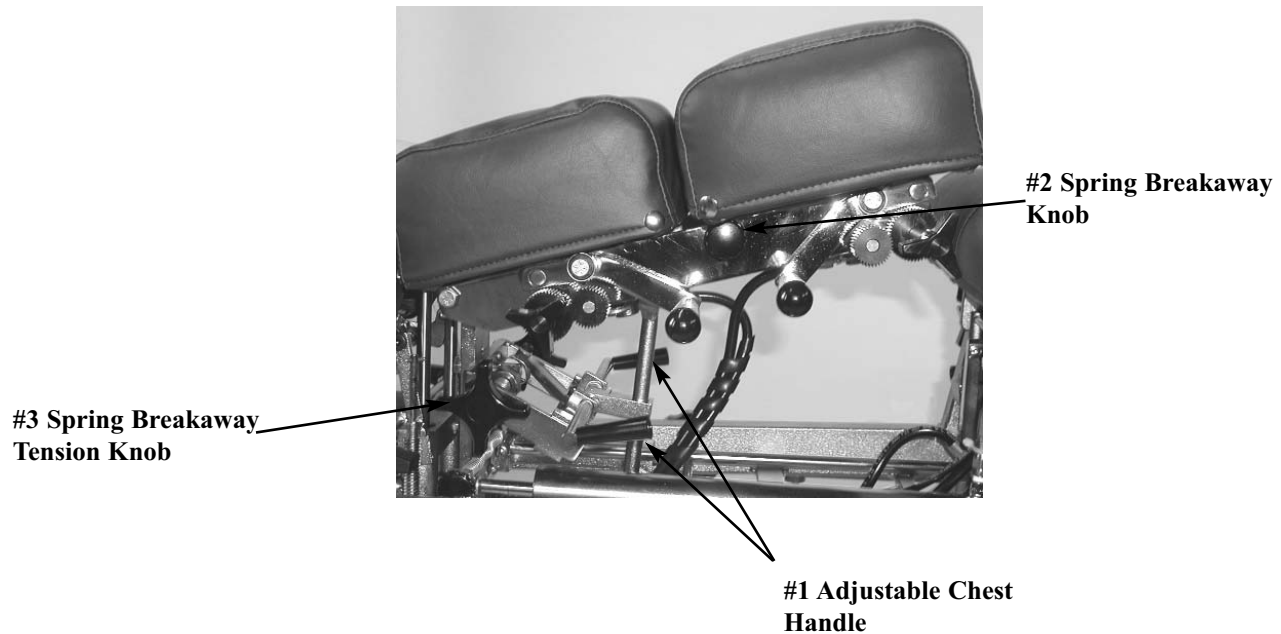
**NOTE - DROP SHOULD BE IN DOWN / DEACTIVATED POSITION BEFORE MOVING SELECTOR KNOB (NO. 9) IN OR OUT.**

1. The Selector Knob (No. 9) is to be pushed in, to engage the forward motion drop.
2. Push down on the Cocking Handle (No. 7) until the head cushion forward motion drop is activated.
3. Once cocked, test the drop by pushing down on the cushion, and adjust the tension.



## Chest Cushion

The chest cushion is designed to accommodate patients with large or small abdomens and has the versatility of being a stationary or floating cushion.



### Standard - Adjustable Tilting Chest

#### Height Adjustment of Chest Cushion

1. Lift the rear corners of the cushion.
2. Release the cushion when the desired angle is reached and the cushion will automatically lock into place.

#### Tilting Chest Cushion Down

1. Support the cushion at the rear corners.
2. Lift on the Adjustable Chest Handle (No. 1) to release the cushion.
3. Slide the cushion to desired angle.
4. Release the Adjustable Chest Handle (No. 1) first and then the cushion to lock into desired height.

### Spring Breakaway Chest

#### To Engage Spring Breakaway Chest Cushion

1. Pull on Spring Breakaway Knob (No. 2) (facing the right side of the table) to unlock.
2. The resulting floating effect will allow the cushion to gently drop under pressure and spring back when released.

#### To Lock the Spring Breakaway Cushion

1. Push on Spring Breakaway Knob (No. 2) (facing the right side of the table) to lock.

#### To Increase or Decrease the Tension for Spring Breakaway

1. Rotate the Spring Breakaway Tension Knob (No. 3).
  - A. Left Side: Clockwise - Increase Tension ▲      Counterclockwise - Decrease Tension ▼
  - B. Right Side: Clockwise - Decrease Tension ▼      Counterclockwise - Increase Tension ▲

## Chest Cushion - Manual Drops

#2 Tension Control Knob

#1 Cocking Handle



#2 Tension Control Knob

### Chest & Lumbar Drop - Manual

#### Cocking the Drop Chest or Lumbar Cushion

1. Pull up on the Cocking Handle (No. 1) to cock the desired drop cushion.
2. Adjust the tension on either by turning the Tension Control Knob (No. 2)

Right side: Clockwise - Decreases Tension    Counterclockwise - Increase Tension

Left Side: Clockwise - Increase Tension    Counterclockwise - Decrease Tension

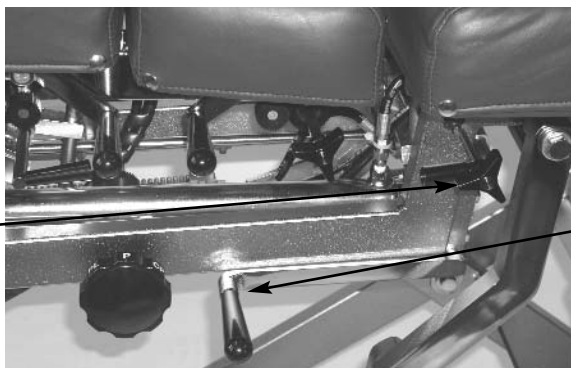


**CAUTION: THE DROP CUSHION TENSION SHOULD BE CHECKED AND TESTED BEFORE ADJUSTING PATIENT. KEEP FINGERS AWAY FROM BOTTOM OF CUSHION TO AVOID PINCHING**

## Pelvic Drop

#2 Tension Control Knob

#1 Cocking Handle



### Pelvic Drop - Manual

#### Cocking the Drop Pelvic Cushion

1. Pull up on the Cocking Handle (No. 1) to cock the cushion.
2. Adjust the tension by turning the Tension Control Knob (No. 2)

Right side: Clockwise - Decreases Tension    Counterclockwise - Increase Tension

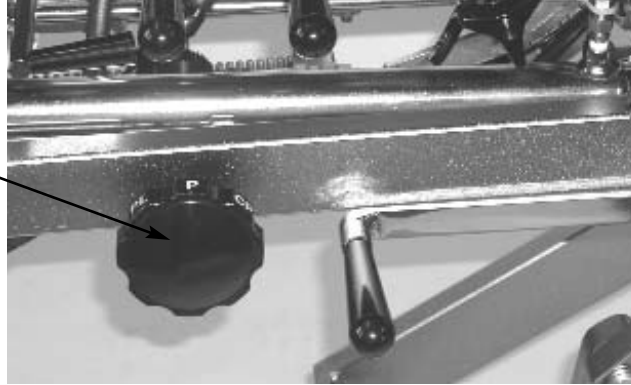
Left Side: Clockwise - Increase Tension    Counterclockwise - Decrease Tension



**CAUTION: THE DROP CUSHION TENSION SHOULD BE CHECKED AND TESTED BEFORE ADJUSTING PATIENT. KEEP FINGERS AWAY FROM BOTTOM OF CUSHION TO AVOID PINCHING**

# Automatic Cocking Drops

#1 Automatic Drop  
Selector Knob



## Cervical (Head Cushion) Drop - Automatic

### To Cock the Cervical (Head Cushion) Drop:

1. Rotate the selector knob (No. 1) to “C” to select the Cervical (Head Cushion) drop.
2. Step on the white strip to activate the auto cocking drop.



**CAUTION: THE DROP CUSHION TENSION SHOULD BE CHECKED AND TESTED BEFORE ADJUSTING PATIENT. KEEP FINGERS AWAY FROM BOTTOM OF CUSHION TO AVOID PINCHING.**

3. Adjust the tension on the drop by turning the Tension Control Knob (Refer to Page 7 for Instructions).

### To Cock the Dorsal (Chest Cushion) Drop:

1. Rotate the selector knob (No. 1) to “D” to select the Dorsal (Chest Cushion) drop.
2. Step on the white strip to activate the auto cocking drop.



**CAUTION: THE DROP CUSHION TENSION SHOULD BE CHECKED AND TESTED BEFORE ADJUSTING PATIENT. KEEP FINGERS AWAY FROM BOTTOM OF CUSHION TO AVOID PINCHING.**

3. Adjust the tension on the drop by turning the Tension Control Knob (Refer to Page 7 for Instructions).

### To Cock the Lumbar Cushion Drop:

1. Rotate the selector knob (No. 1) to “L” to select the Lumbar drop.
2. Step on the white strip to activate the auto cocking drop.



**CAUTION: THE DROP CUSHION TENSION SHOULD BE CHECKED AND TESTED BEFORE ADJUSTING PATIENT. KEEP FINGERS AWAY FROM BOTTOM OF CUSHION TO AVOID PINCHING.**

3. Adjust the tension on the drop by turning the Tension Control Knob (Refer to Page 7 for Instructions)

# Automatic Cocking Drops

## To Cock the Pelvic Cushion Drop:

1. Rotate the selector knob (No. 1) to “P” to select the Pelvic drop.
2. Step on the white strip to activate the auto cocking drop.



**CAUTION: THE DROP CUSHION TENSION SHOULD BE CHECKED AND TESTED BEFORE ADJUSTING PATIENT. KEEP FINGERS AWAY FROM BOTTOM OF CUSHION TO AVOID PINCHING.**

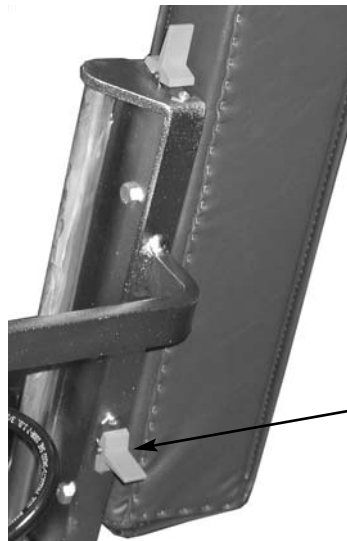
3. Adjust the tension on the drop by turning the Tension Control Knob (Refer to Page 7 for Instructions)

**Note - Table is capable of performing a combination of drops - See Selector Knob Letter Reference Chart Below.**

### Selector Knob Reference Chart

<b>C - Cervical Drop</b>	<b>DC - Dorsal &amp; Cervical Drops</b>
<b>D - Dorsal Drop</b>	<b>LD - Lumbar &amp; Dorsal Drops</b>
<b>L - Lumbar Drop</b>	<b>PL - Pelvic &amp; Lumbar Drops</b>
<b>P - Pelvic Drop</b>	<b>CP - Cervical &amp; Pelvic Drops</b>

## Head & Chest Extension - Retraction Switch



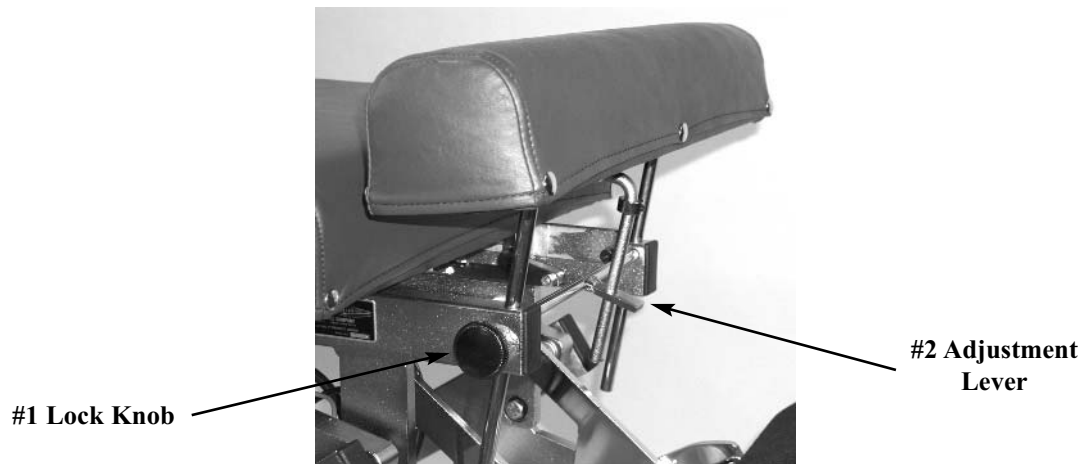
**#1 Head/Chest/Pelvic  
Extension - Retraction  
Switch**

### To Adjust the Height of Table:

The table must be in Hylo (Tilt) position, while the patient is standing on the foot plate. Locate the Head/ Chest/Pelvic Extension - Retraction Switch (No. 1).

1. To extend the head/chest/pelvic cushions toggle switch towards the head end of the table.
2. To retract (shorten) the head/chest/pelvic cushion toggle switch towards the foot end of the table.

## Ankle Rest



### **Ankle Rest Adjustment**

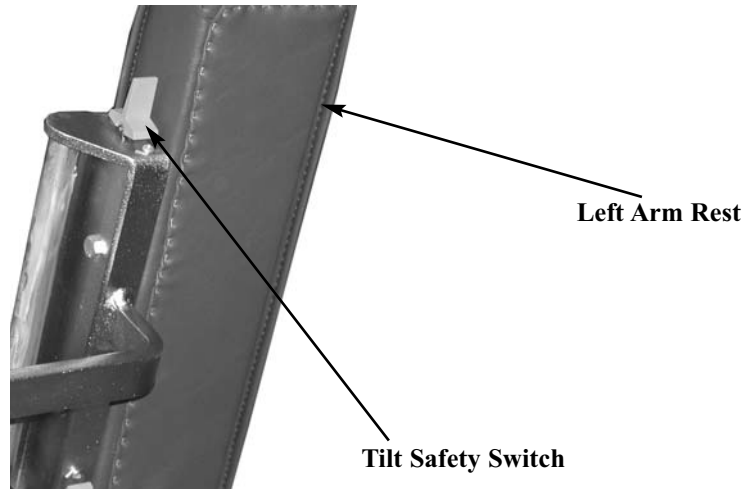
#### **To Adjust Height of Ankle Rest**

1. Loosen the Lock Knob (No. 1)
2. Simply lift on the sides of the Ankle Rest Cushion.
3. Once the desired height is obtained the cushion will automatically lock into position when released.

#### **To Lower the Ankle Rest**

1. From the back end of the table, support the center of the Ankle Rest Cushion with the righthand.
2. With left hand, lift Adjustment Lever (No. 2) upward release lock.
3. Lower the cushion to desired height, and release the Adjustment Lever to lock into place.
4. To secure the height position tighten the Lock Knob (No. 1).

## Tilt Safeguard



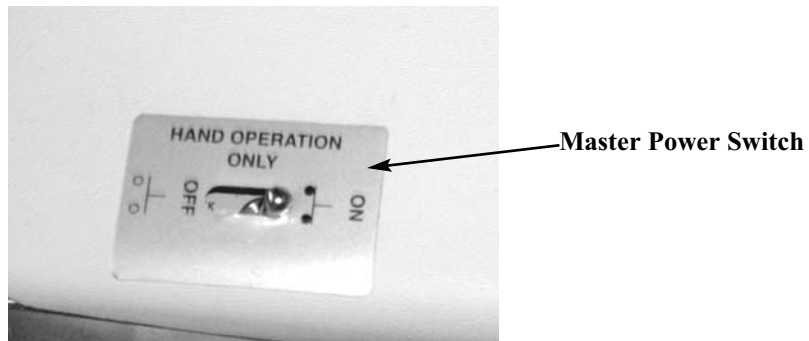
### Tilt Safety Switch

The tilt safety switch is designed to prevent unauthorized operators from lowering the table from a Vertical position. The table cannot be lowered until the tilt Safety Switch is activated.

The switch is located (shown above) on the left side, behind the arm rest cushion. By toggling the switch for just a second, the operator will have an estimated thirty seconds to lower the table with a directional foot pedal.

When the table has reached its vertical position it can be lowered, within a period of thirty seconds, without activating the tilt safety switch a second time. Just depress the directional foot pedal (within the thirty second time frame) to lower table.

## Master Power Switch



The Master Power Switch is located on the front left corner of the base frame. The switch allows easy access for turning the table's power on or off.

**WARNING: WHEN TABLE IS NOT IN USE OR DOCTOR IS AWAY FROM THE TABLE, THE POWER SWITCH SHOULD BE TURNED OFF.**



### Power Switch Fuses

**WARNING: UNPLUG THE POWER CORD FROM THE ELECTRICAL WALL OUTLET BEFORE REMOVING THE FUSE HOLDER TO AVOID INJURY.**



The fuse holders are located with the power switch and can be removed by pushing and turning counterclockwise. Replace fuses with the same size and rating.

# Foot Pedal Control

## Directional Pedal

The directional pedals have the dual function of raising and lowering table in elevation and hylo. The directional pedals can be operated in manual and auto mode as described on page 13 under auto / manual.



## Hylo

**Corded Side** - Lowers the table from Vertical to horizontal.



**Non - Corded Side** - Raises table from horizontal to Vertical.



## Elevation

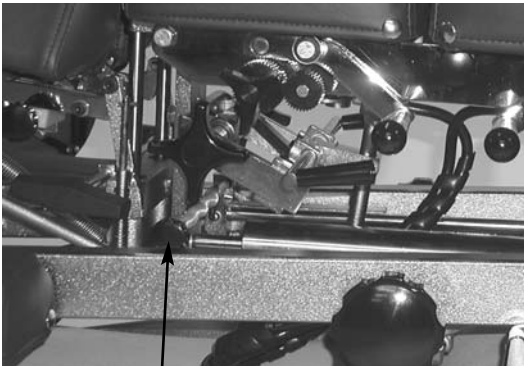
**Corded Side** - Elevates the table horizontally.



**Non - Corded Side** - Lowers the table.



**#2 Cushion Handle**



**#1 Pelvic Lock Knob**



**#3 Adjustment Handle**

## Pelvic Height Adjustment

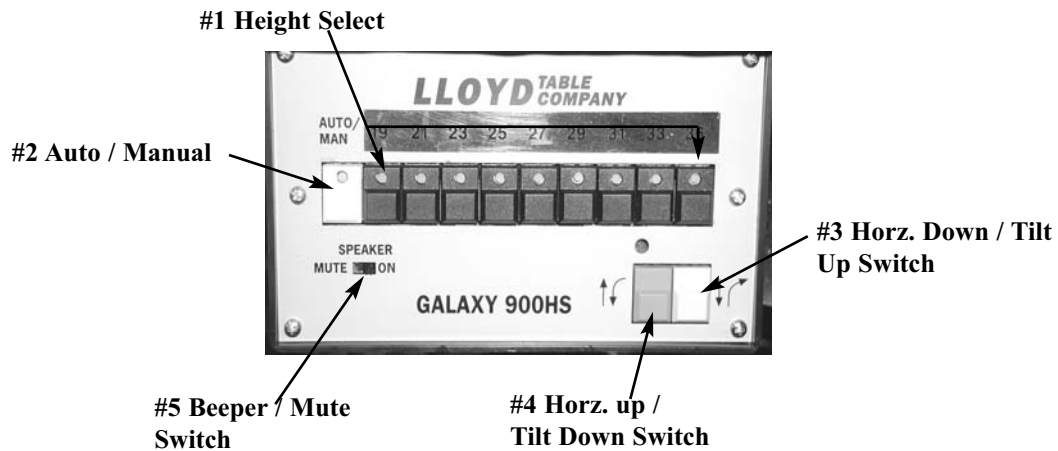
**Raising** - Lift the cushion by it's front corners to the desired height. The Cushion will lock in place once released.

**Lowering** - Support the cushion by slightly lifting up on a front corner. Next, lift the Adjustment Handle (No. 3) up and allow the cushion to slide down to desired height. Once adjusted to a desired height, release the lock handle and then the cushion to secure the height position.

## Pelvic Separation

The pelvic Cushion can be separated from the head and chest section at eight different lengths. To separate, secure the pelvic cushion by holding the Cushion Handle (No. 2) and pulling the Pelvic Lock Knob (No. 1) out to unlock. Once the desired adjustment is reached release the Pelvic Lock Knob (No. 1) to Lock.

# Height Select Panel



## Height Select (No. 1)

The height select panel consists of nine height select buttons whereby the operator can preselect a desired height. The buttons range from 19 to 36 inches, at two inch increments. A button is activated when depressed, emitting a green light, and will only operate in the automatic mode.

## Auto / Manual (No. 2)

**Manual Mode** - The table is set in the manual mode whenever the electrical power is turned on. In the manual mode; the height of the table can be adjusted with the foot pedal or with the directional switch on the console. The table will stop when the pedal or panel switch is released. If the Auto / Manual (No. 2) green light is on, it must be depressed to operate in manual mode.

**Auto Mode** - Pressing the auto / manual switch (No. 2), illuminates the green light and activates the table in the auto mode. The directional switch or pedal can be released and the table will continue to run.

## Horz. Down / Tilt Up Switch (No. 3)

The Lower (Elev.) / Tilt Switch (No. 3) lowers the table from a horizontal position and raises it to a vertical position.

## Horz. Up / Tilt Down Switch (No. 4)

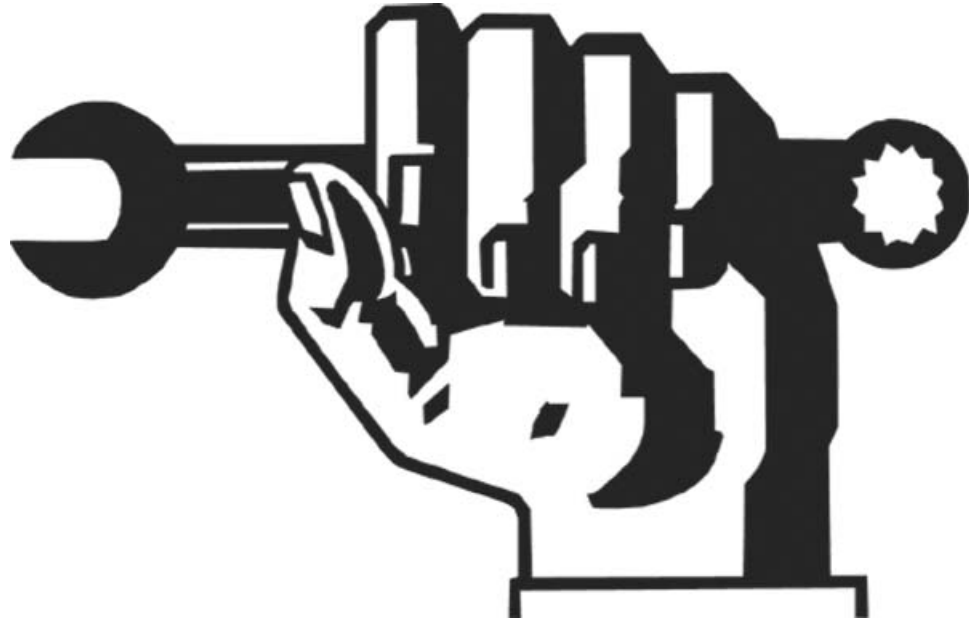
The Lower (Tilt) / Elevate Switch (No. 4) lowers the table from a vertical position to the horizontal position.

## Beeper / Mute Switch (No. 5)

Used for turning the beeper sound on or off.

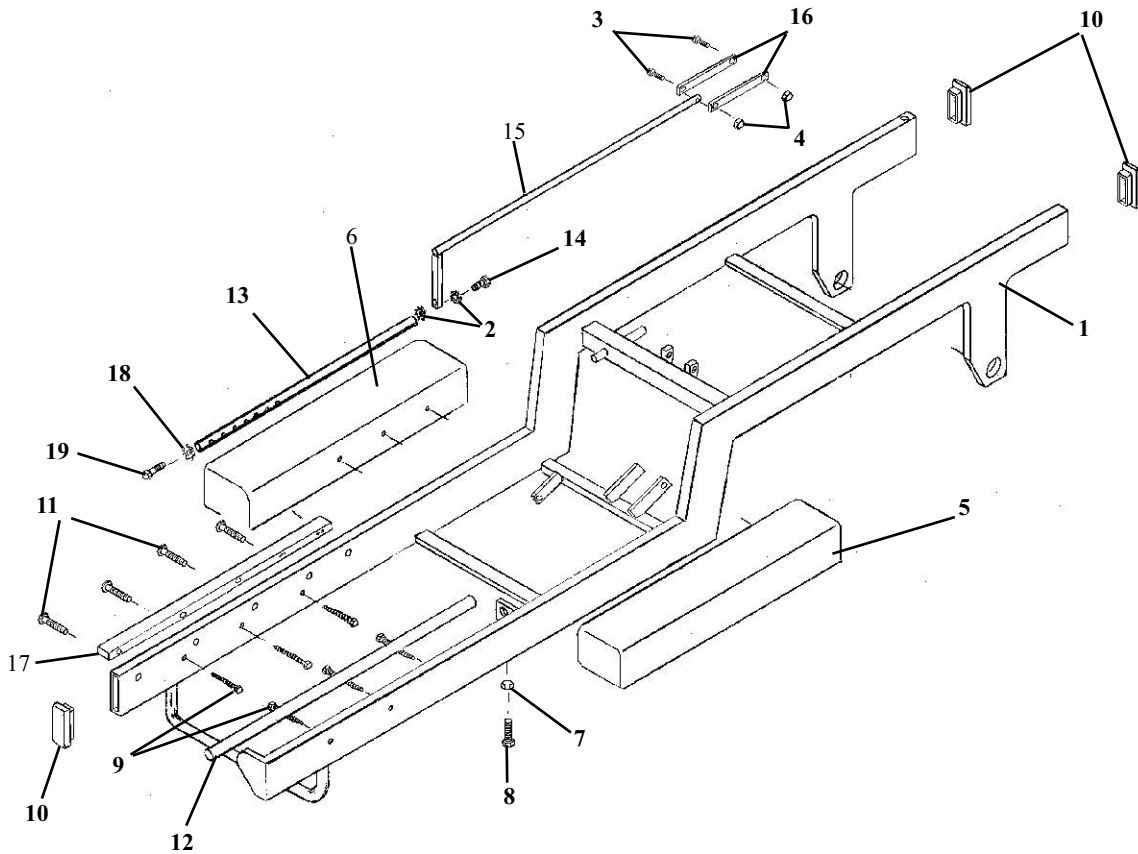


# **GALAXY 900HS**



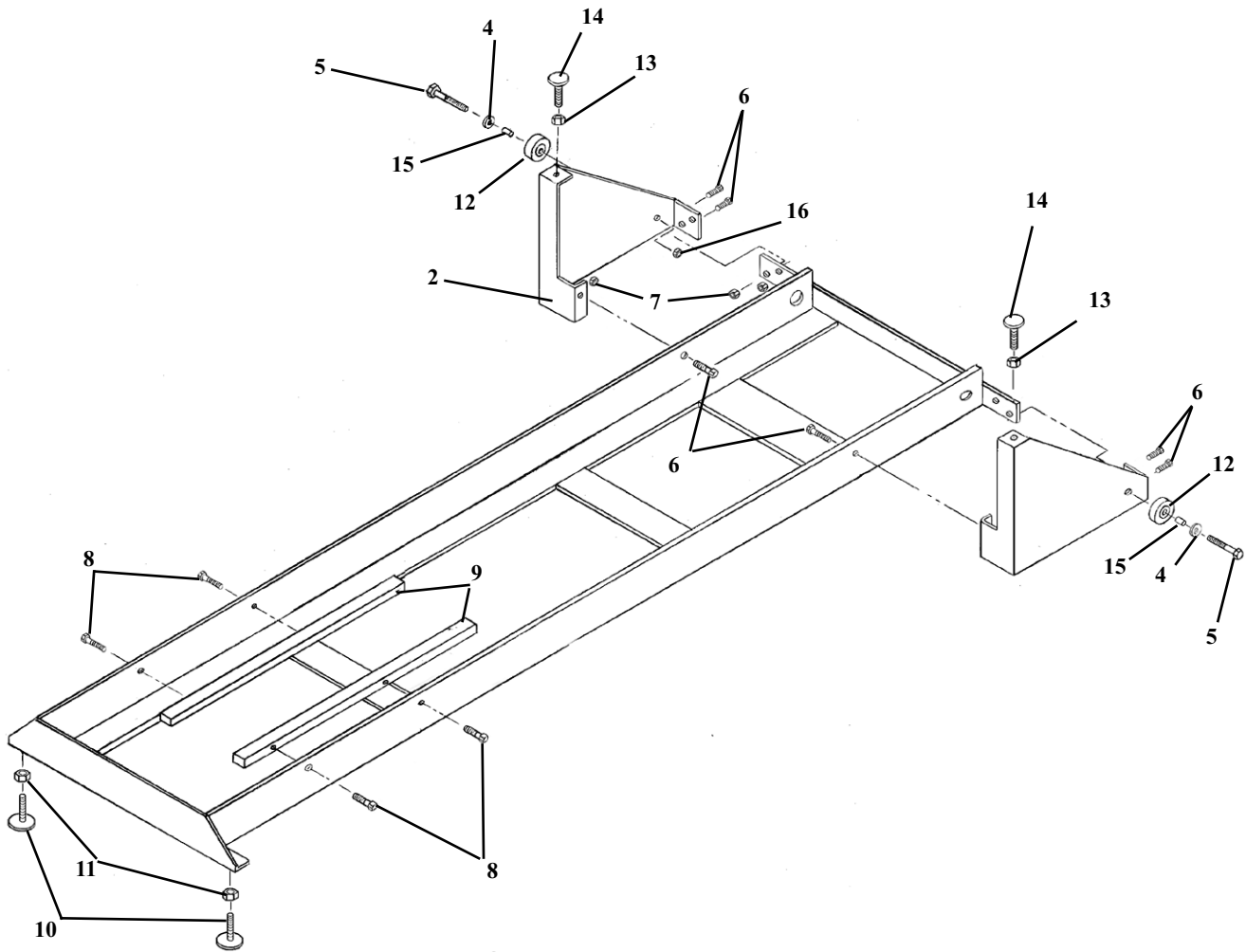
## **Parts & Assembly Section**

# Z - FRAME ASSEMBLY GALAXY 900HS



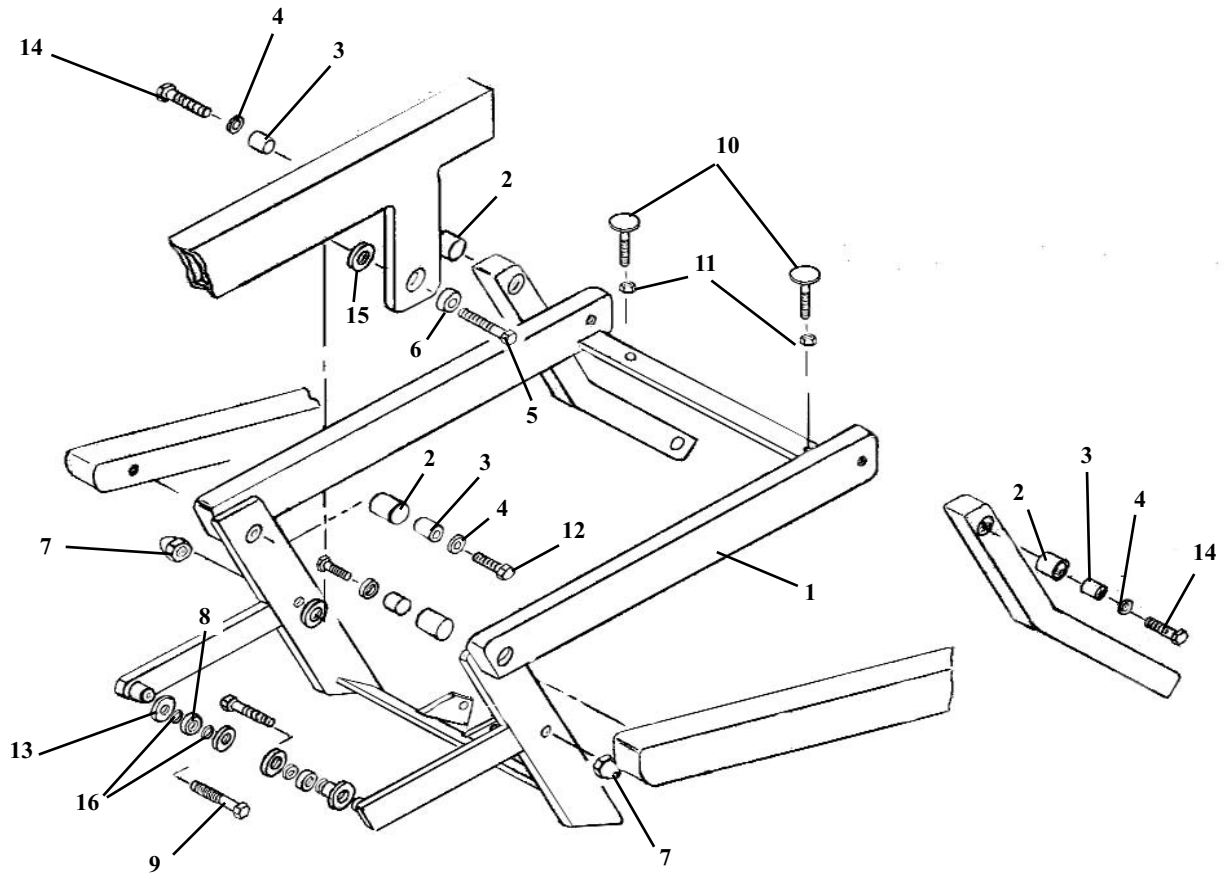
ITEM	PART NO.	DESCRIPTION	QTY.
1	54090	Z - FRAME ASSEMBLY, 19"	1
2	21630	WASHER, STAR, 1/4 ID X 1/2 OD	2
3	20052	BOLT, HEX HD, 1/4 - 20 NC X 1 3/4 (CUT OFF)	2
4	21010	NUT, HEX, 1/4 - 20 NC	2
5	40030	CUSHION, ARM REST (LH)	1
6	40010	CUSHION, ARM REST (RH)	1
7	21110	NUT, JAM, 5/16 - 18 NC	1
8	22240	SET SCREW, SQUARE HD, 5/16 - 18 NC X 1	1
9	22085	SCREW, HEX HD, LAG, 1/4 X 3	6
10	24417	END CAP	3
11	22031	SCREW, MACH, SOC HD, FLAT, 1/4 - 20 NC X 2	5
12	50610	SLIDE ROD, 23/32 RD X 22 13/16	1
13	54077	SEPARATION ROD, 1/2 RD X 25 9/16	1
14	20022	BOLT, HEX HD, 1/4 - 20 NC X 1	1
15	55644	SEPARATION ROD ASSEMBLY, 19"	1
16	50670	LINKAGE BAR, 1/8 X 1/2 X 5	2
17	55572	GUIDE RAIL, 3/8 X 1 X 21	1
18	21710	WASHER, FLAT, 5/16 ID X 0.688 OD	1
19	22012	SCREW, MACHINE, TRUSS HD, 1/4 - 20 NC X 1/2	1

# BASE FRAME ASSEMBLY



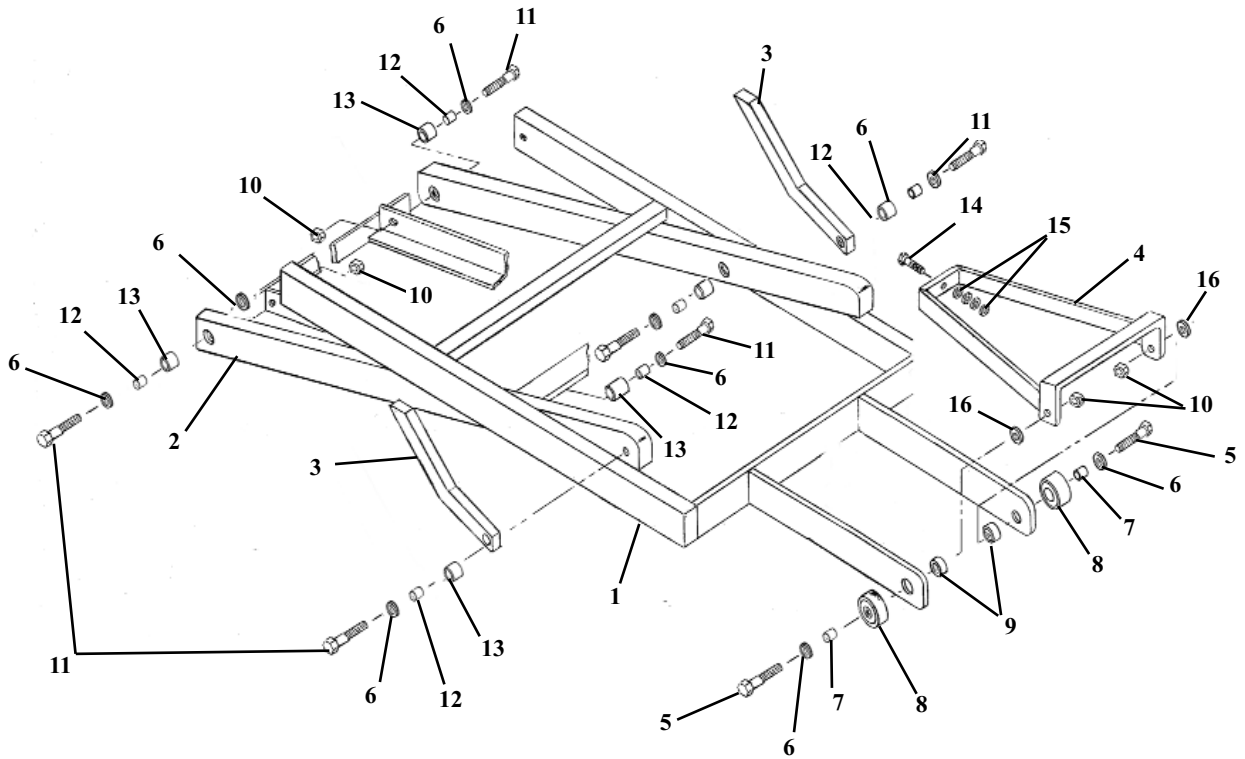
ITEM	PART NO.	DESCRIPTION	QTY.
1	55110	FRAME, BASE, 900	1
2	58026	WHEEL PLATE ASSEMBLY (RH), 19" 900	1
3	58027	WHEEL PLATE ASSEMBLY (LH), 19" 900	1
4	21910	WASHER, FLAT, 1/2 ID X 1 OD X 0.095	2
5	20542	BOLT, HEX HD, 1/2 - 20 NF X 2 1/4 (CHROMED)	2
6	20115	BOLT, HEX HD, 1/4 - 28 NF X 3/4	6
7	21020	NUT, HEX, 1/4 - 28 NF	6
8	20112	BOLT, HEX HD, 1/4 - 28 NF X 5/8	4
9	50170	GUIDE BAR, 7/16 X 5/8 X 15 1/2	2
10	20373	BOLT, WELDING, 3/8 - 16 NC X 1 1/2 (PLASTIC)	2
11	21210	NUT, HEX, 3/8 - 16 NC	2
12	50050	WHEEL, 900	2
13	21110	NUT, JAM, 5/16 - 18 NC	2
14	20230	BOLT, WELDING, 5/16 - 18 NC X 1 1/4	2
15	58460	BUSHING, WHEEL, 0.506 ID X 5/8 OD X 1.562	2
16	21320	NUT, JAM, 1/2 - 20 NF	2

# SCISSORS YOKE ASSEMBLY GALAXY 900 HS



ITEM	PART NO.	DESCRIPTION	QTY.
1	55210	YOKE FRAME ASS'Y	1
2	22900	BUSHING, BRASS, 7/8ID X 1 1/4 OD	4
3	30610	SLEEVE, STEEL, 1/2 ID X 7/8 OD X 1 1/4	4
4	21910	WASHER, FLAT, 1/2 ID X 1 OD	4
5	20510	BOLT, HEX HD, 1/2-20 UNF X 1 1/4	2
6	22820	BEARING, 1/2 ID	2
7	21310	NUT, CAP, 1/2-20 UNF	2
8	22830	BEARING, 1/2 ID	2
9	50539	BOLT, HEX HD, 5/8-11 UNC X 1 3/4	2
10	20230	BOLT, WELDING, 5/8-18 UNC X 1 1/4	2
11	21110	NUT, JAM, 5/16-18 UNC	2
12	50356	BOLT, HEX HD, 1/2-20 UNF X 2 (SHAVED HEAD)	2
13	21953	WASHER, FLAT, 5/8 ID X 2 OD X 1/4	4
14	20542	BOLT, HEX HD, 1/2-20 UNF X 2 1/4 (CHROMED)	2
15	21912	WASHER, FLAT, 1/2 ID X 1 1/4 OD (PLASTIC)	2
16	24283	SHIM, 0.032	4

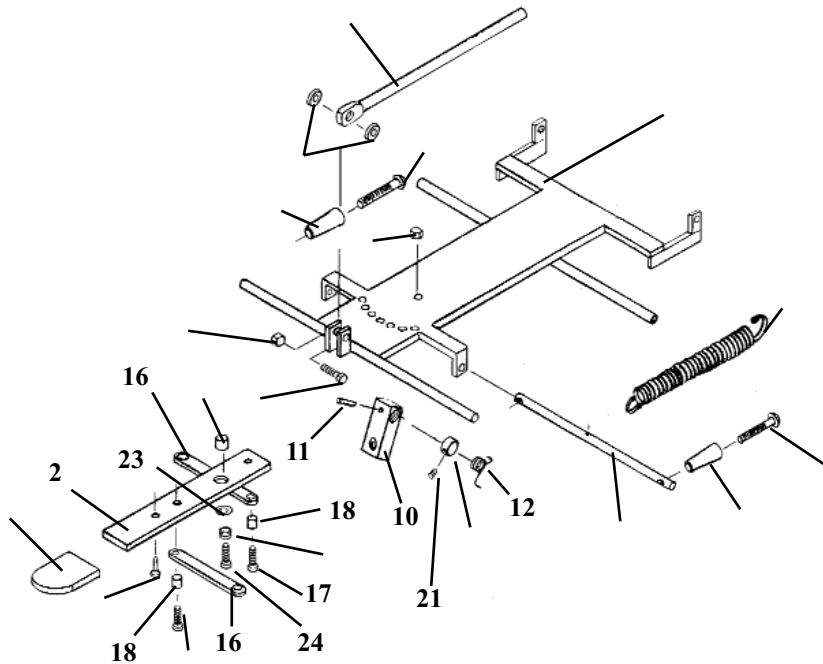
# SCISSORS FRAME ASSEMBLY GALAXY 900HS



ITEM	PART NO.	DESCRIPTION	QTY.
1	55311	H - FRAME ASSEMBLY, DOUBLE	1
2	55330	H - FRAME ASSEMBLY, SINGLE	1
3	50341	BAR, LINKAGE, 19"	2
4	58113	TONGUE ASSEMBLY, 19"	1
5	50356	BOLT, HEX HEAD, 1/2 - 20 NF X 2 (SHAVED HEAD)	2
6	21910	WASHER, FLAT, 1/2 ID X 1 OD	8
7	50390	SLEEVE, STEEL, 1/2 ID X 3/4 OD X 0.52	2
8	22840	BEARING, BALL, 3/4 ID	2
9	22820	BEARING, BALL, 1/2 ID	2
10	21320	NUT, JAM, HEX, 1/2 - 20 NF	4
11	20352	BOLT, HEX HD, 1/2 - 20 NF X 2 (CHROMED)	6
12	30610	SLEEVE, STEEL, 1/2 ID X 7/8 OD X 1 1/4	6
13	22900	BUSHING, BRASS, 7/8 ID X 1 1/4	6
14	20350	BOLT, HEX HD, 3/8 - 16 NC X 1 1/4	1
15	21810	WASHER, FLAT, 3/8 ID X 13/16 OD	2
16	50410	SPACER, SCISSORS TONGUE, 1/2 ID X 23/32 OD X 0.18	2

NOTE: THE HEX BOLT (ITEM 11) TO ATTACH SINGLE H-FRAME TO BASE FRAME HAS TO BE 2 1/4" LONG (# 20542) IF A WASHER SPACER HAS TO BE USED BETWEEN THE BASE FRAME AND THE SINGLE H-FRAME.

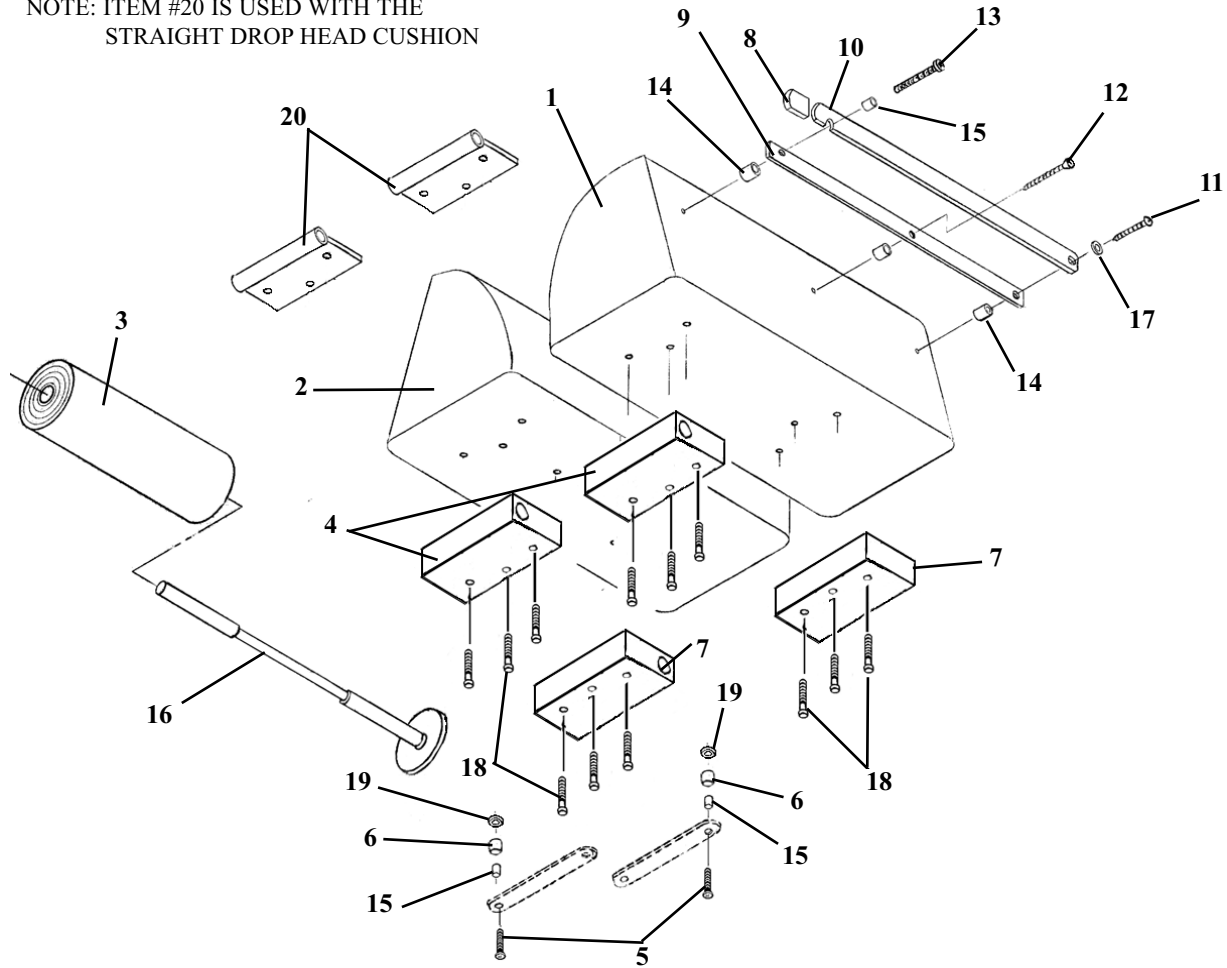
# DELUXE HEAD FRAME ASS'Y



ITEM	PART NO.	DESCRIPTION	QTY.
1	56051	FASTENER PLATE ASS'Y	1
2	57221	ADJUSTMENT ARM	1
3	55929	CENTER BAR	1
4	21616	PLASTIC FLAT WASHER, ¼ ID X ¾ OD	2
5	24020	HANDLE	2
6	22050	RD. HD. MACHINE SCREW, ¼-20 UNC X 2 ½	2
7	21450	HEX. NUT, #10-24 UNC	1
8	21020	HEX. NUT, ¼-28 UNF	1
9	20115	HEX. HD. BOLT, ¼-28 UNF X 1.00	1
10	54107	ADJUSTMENT BLOCK	1
11	22670	ROLL PIN, 1/8RD. X ¾	1
12	30870	TORSION SPRING	1
13	24236	PLASTIC CAP	1
14	57205	ADJUSTMENT ROD, 7/16 RD. X 9 5/8	1
15	22300	RD. HD. MACHINE SCREW, #8-32 UNC X ¼	1
16	57175	LINKAGE BAR, 1/8 X ½ X 3 9/16	2
17	21995	PAN HD. MACHINE SCREW, #10-24 UNC X ½	3
18	22860	BUSHING, 3/16ID X 1/4 OD X .160	3
19	30722	COMPRESSION SPRING, .235 ID X .5/16 OD X ½	1
20	22912	COLLAR, 3/8 ID	1
21	22110	SET SCREW, ¼-20 UNC X ¼	1
22	30785	TENSION SPRING, ½ ID X 5/8 OD X 7 1/8 (HYLO ONLY)	1
23	21610	WASHER, .26 ID X ½ OD	1
24	22003	PAN HD. MACHINE SCREW, #10-24 UNC X 3/4	1

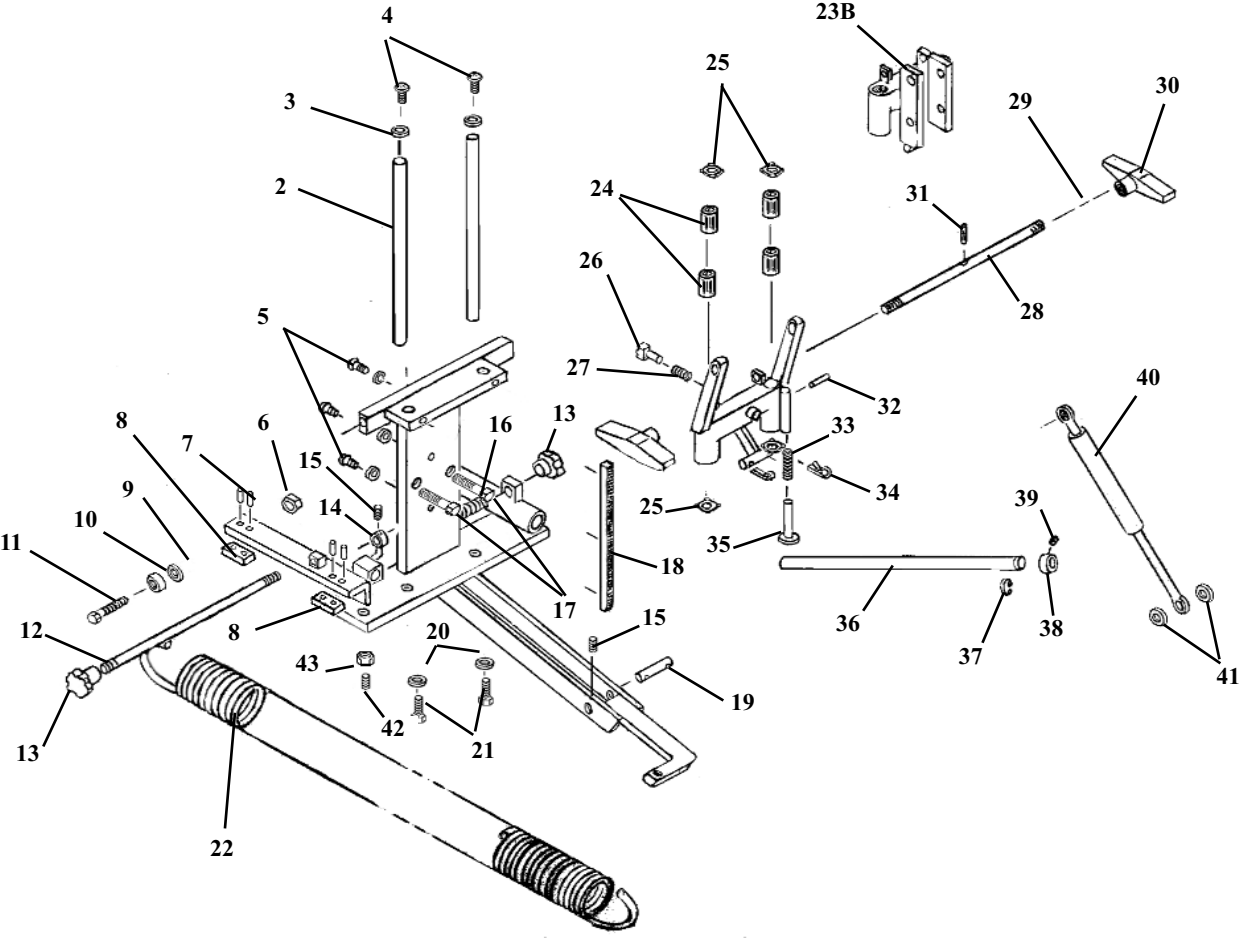
# DELUXE HEAD CUSHION ASS'Y

NOTE: ITEM #20 IS USED WITH THE STRAIGHT DROP HEAD CUSHION



ITEM	PART NO.	DESCRIPTION	QTY
1	40110	CUSHION, HEAD - LEFT HAND	1
2	40130	CUSHION, HEAD - RIGHT HAND	1
3	29999	HEADREST PAPER	1
4	30400	SLIDE BLOCK, FRONT	2
5	22009	OVAL HD. MACHINE SCREW, #10-24 NC X 1 1/2	2
6	57174	SPACER, 3/16 ID X 1/2 OD X 5/8	2
7	30401	SLIDE BLOCK, REAR	2
8	24235	GUARD, CUTTING BAR	2
9	50750	INSIDE CUTTING BAR	1
10	50770	OUTSIDE CUTTING BAR	1
11	22550	RD. HD. WOOD SCREW #14 X 2.00	1
12	22510	FLAT HD. WOOD SCREW, #9 X 1 1/2	1
13	22522	RD. HD. WOOD SCREW, #9 X 2.00	1
14	50720	SPACER, PAPER CUTTER, 3/8 ID X 1/2 OD	3
15	22860	BUSHING, 3/16 ID X 1/4 OD	3
16	50778	PAPER HANGER ASS'Y, w/ Washer	1
17	21610	FLAT WASHER, 3/16 ID X 1/2 OD	1
18	22003	OVAL HD. MACHINE SCREW, #10 - 24 NC X 3/4	12
19	21510	FLAT WASHER, 3/16 ID X 1/2 OD	2
20	57155	GUIDE TUBE ASS'Y, FRONT	2

# I - FRAME ASSEMBLY DELUXE, FORWARD MOTION & FLEXION HEAD



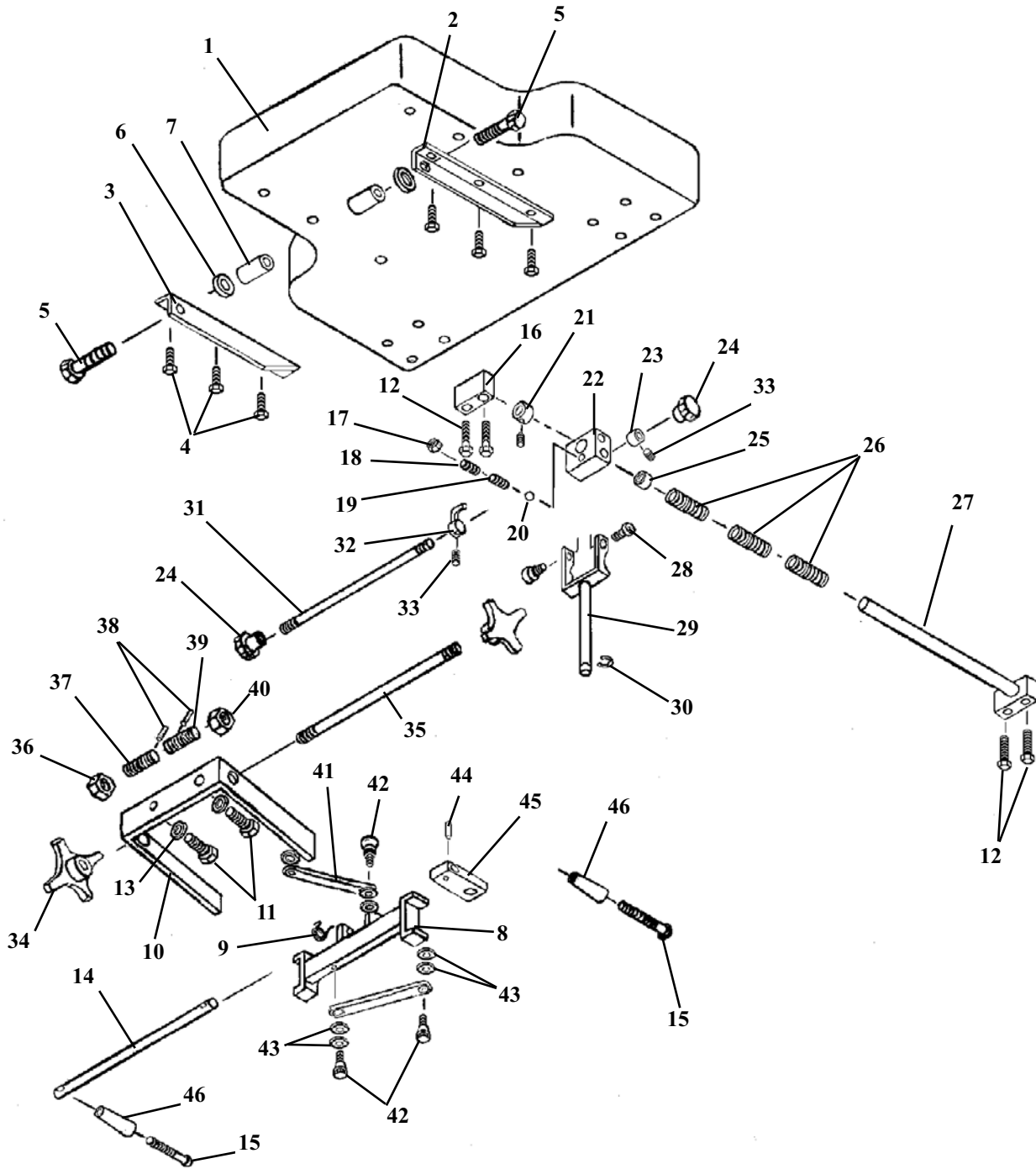


# I - FRAME ASSEMBLY

## DELUXE, FORWARD MOTION & FLEXION HEAD

ITEM	PART NO.	DESCRIPTION	QTY.
1	55553	I-FRAME ASSEMBLY	1
2	50872	GUIDE ROD, 1/2 RD X 7 7/8	2
3	21620	WASHER, FLAT, 1/4 ID X 9/16 OD	2
4	22013	SCREW, MACHINE, BUTTON SOC HD, 1/4 - 20 NC X 1/2	2
5	21975	SCREW, MACHINE, PAN HD, #6 - 32 NC X 1/2	3
6	21010	NUT, HEX, 1/4 - 20 NC	1
7	22657	ROLL PIN, 1/8 RD X 3/8	4
8	55944	SLIDE PLATE	2
9	22910	COLLAR, STOP, 1/4 ID X 1/2 OD	1
10	22805	BEARING, BALL, 1/4 ID	1
11	20022	BOLT, HEX HD, 1/4 - 20 NC X 1	1
12	50531	EXTENSION RELEASE ROD, 5/16 RD X 10	1
13	24150	KNOB, LOCK (BOTTOM GROUND OFF)	2
14	50570	LOCK PIN ASS'Y	1
15	22090	SET SCREW, #10 - 32 NF X 3/16	2
16	30770	COMPRESSION SPRING, 3/8 ID X 6 13/16	1
17	20332	BOLT, HEX HEAD, 3/8 - 16 NC X 1	2
18	56019	GEAR RACK	1
19	56002	SUPPORT PIN, 5/16 X 1 5/16	1
20	21630	WASHER, STAR, 0.26 ID X 0.49 OD	2
21	20007	BOLT, HEX HEAD, 1/4 - 20 NC X 5/8	2
22	30850	EXTENSION SPRING, 1 1/16 ID X 1 1/2 OD X 23 1/4	1
23A	56045	SHUTTLE ASS'Y, F/M 89, STRAIGHT DROP & DELUXE HD	1
23B	55750	SHUTTLE ASS'Y, FLEXION HEAD	1
24	22891	BUSHING, 1/2 RD X 1.00 (SUPER 8)	4
26	56064	LOCK PIN ASS'Y, F/M 89 & DELUXE HEAD	1
27	30750	COMPRESSION SPRING, 9/32 ID X 3/8 X 3/4	1
28	55949	LOCK ROD, 3/8 RD X 11	1
29	21211	NUT, HEX, 3/8 - 16 NC	2
30	24186	TENSION KNOB	2
31	22675	ROLL PIN, 1/8 X 3/4 - SHEAR PROOF	1
32	22660	ROLL PIN, 1/8 X 5/8	1
33	30740	COMPRESSION SPRING, 5/16 ID X 7/16 X 4 3/4	1
34	22640	COTTER PIN, 3/32 X 1	2
35	55959	PLUNGER ASSEMBLY	1
36	54108	ROD, TILT LOCK, 1/2 RD X 13 13/16	1
37	24285	SNAP RING, 1/2 DIA	1
38	22913	COLLAR, SET, 1/2"	1
39	22110	SET SCREW, #10 - 32 NC X 3/16	1
40A	30296	PRESSURE CYL, 50# (F/M 89, STRAIGHT DROP, FLEX)	1
40B	30297	PRESSURE CYL, 40# (DELUXE HEAD)	1
41	56006	SPACER, 3/8 ID X 1/2 OD X 3/16	2
42	22233	SET SCREW, 5/16 - 18 NC X 5/8 - BRASS TIP	1
43	21110	NUT, JAM, 5/16 - 18 NC	1

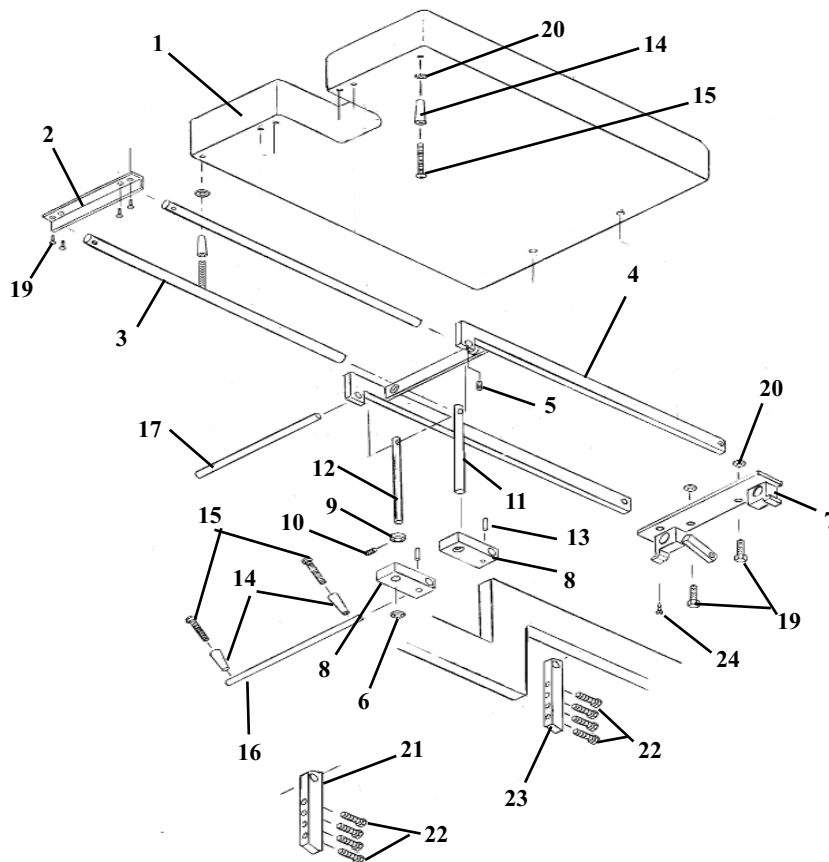
# STANDARD CHEST CUSHION ASS'Y SPRING BREAKAWAY



## DELUXE CHEST CUSHION SPRING BREAKAWAY

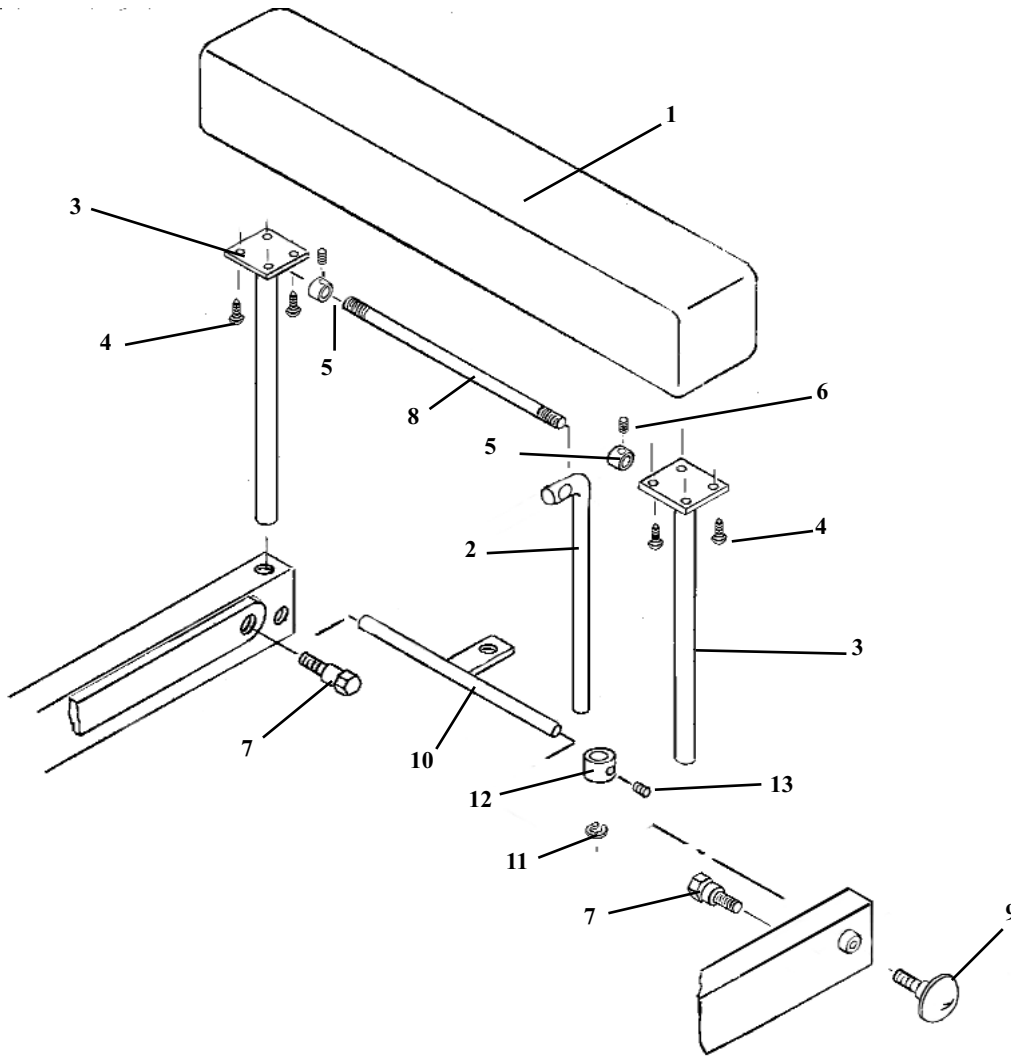
ITEM	PART NO.	DESCRIPTION	QTY.
1A	40210	CUSHION, CHEST - STANDARD	1
1B	40230	CUSHION, CHEST - WIDE	1
2	51010	BRACE, CUSHION (LH)	1
3	51030	BRACE, CUSHION (RH)	1
4	20022	BOLT, HEX HEAD, 1/4 - 20 NC X 1	6
5	20361	BOLT, HEX HEAD, 3/8 - 16 NC X 1 3/4	2
6	21850	WASHER, FLAT, PLASTIC, 3/8 ID X 1 OD	2
7	55945	SPACER, EXTENSION, I-FRAME, 3/8 ID X 5/8 OD X 1 1/8	2
8	51075	SLIDE BRACKET ASSEMBLY	1
9	30870	TORSION SPRING	1
10	51074	C - FRAME ASSEMBLY	1
11A	20332	BOLT, HEX HEAD, 3/8 - 16 NC X 1	2
11B	55826	BOLT, HEX HEAD, 3/8 - 16 NC X 1 (SHAVED HEAD FOR FLEXION HEAD)	2
12	20052	BOLT, HEX HEAD, 1/4 - 20 NC X 1 3/4	4
13	21820	WASHER, STAR, 3/8 ID X 11/16 OD	2
14	51230	ROD, ADJUSTMENT	1
15	22050	SCREW, MACH, ROUND HD, 1/4 - 20NC X 2 1/2	2
16	51110	SUPPORT BLOCK	1
17	21012	NUT, JAM, 1/4 - 20 NC	1
18	22120	SET SCREW, 1/4 - 20 NC X 1/2	1
19	30715	SPRING, COMPRESSION, 3/16 ID X 5/32 OD	1
20	22702	BALL, STEEL, 3/16 DIA	1
21	22940	COLLAR, 5/8 ID X 1 3/32 OD	1
22	51090	YOKE BLOCK	1
23	22922	COLLAR, 5/16 ID X 5/8 OD	1
24	24150	KNOB, LOCK	2
25	22854	BUSHING, 5/8 ID X 23/32 OD	1
26	30793	SPRING, COMPRESSION, 11/16 ID X 15/16 OD X 3 1/8	3
27	51068	SUPPORT ROD ASSEMBLY	1
28	20197	BOLT, SOCKET HD, 5/16 - 18 NC SHOUL 3/8 X 3/8	2
29	56190	FORK ASS'Y	1
30	24286	SNAP RING, 9/16	1
31	51150	LOCK ROD, 5/16 RD X 13 9/16	1
32	50570	LOCK PIN ASS'Y	1
33	22090	SET SCREW, #10 - 32 NF X 3/16	2
34	24154	KNOB, ADJUSTMENT	2
35	51057	ROD, ADJUSTMENT, 3/8 RD X 7 1/4	1
36	51064	NUT, ADJUSTMENT (RH), 5/8 ACME THD	1
37	51058	WORM SCREW (RH), 5/8 ACME THD	1
38	22675	ROLL PIN, 1/8 X 3/4	2
39	51059	WORM SCREW (LH), 5/8 ACME THD	1
40	51063	NUT, ADJUSTMENT (LH), 5/8 ACME THD	1
41	51067	ARM, LINKAGE, 1/4 X 1/2 X 3 1/2	2
42	20002	BOLT, SOCKET HD, 1/4 - 20 NC SHOUL 5/16 X 3/8	4
43	21760	WASHER, PLASTIC, 0.315 ID X 1/2 OD X 0.032	8
44	22660	ROLL PIN, 1/8 X 5/8	1
45	57737	BLOCK, ADJUSTMENT	1
46	24020	HANDLE	2

# PELVIC ASSEMBLY GALAXY 900 HS



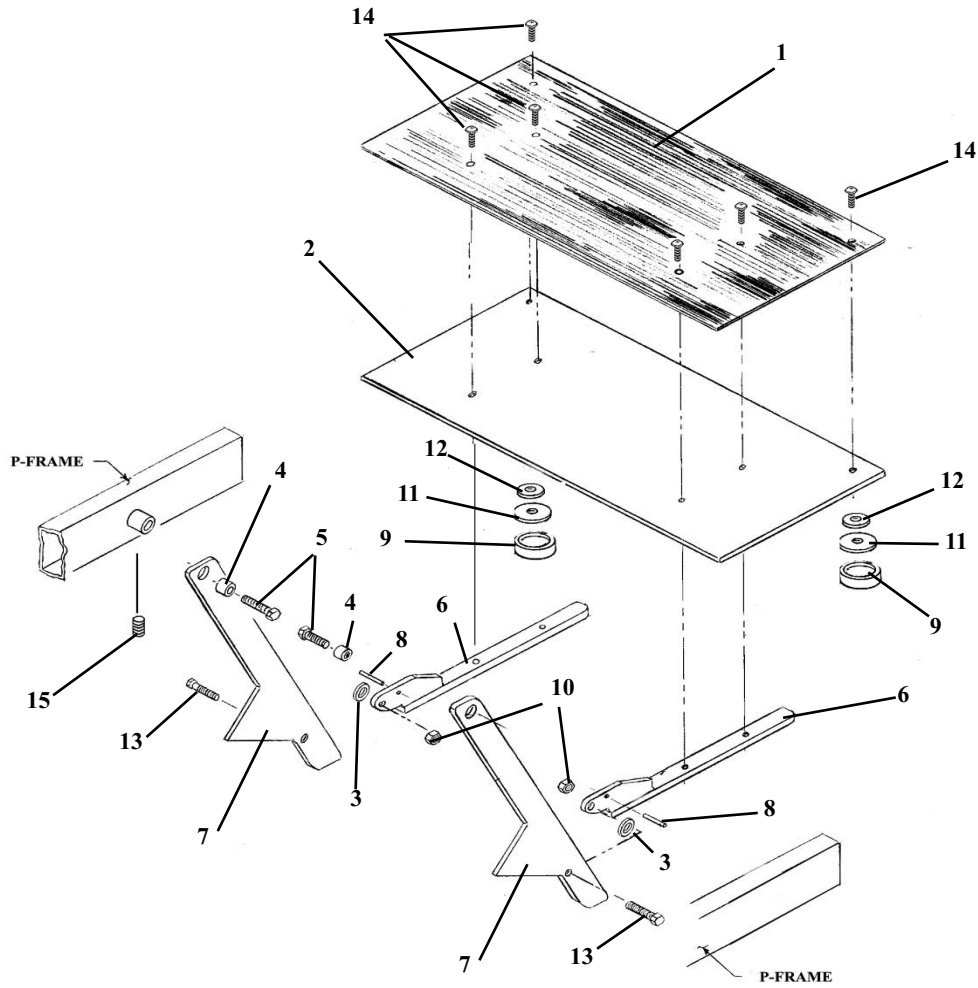
ITEM	PART NO.	DESCRIPTION	QTY.
1A	40310	CUSHION, PELVIC, NARROW	1
1B	40329	CUSHION, PELVIC, NOTCH, WIDE	1
1C	40330	CUSHION, PELVIC, WIDE	1
2	51310	ANGLE, FRONT PELVIC SUPPORT, 1/4 x 1 x 1 x 8 1/16	1
3	51330	SLIDE ROD, 23/32 x 19 3/4	2
4	56350	FRAME ASSEMBLY, PELVIC	1
5	22090	SET SCREW, #10 - 32 NF X 3/16	1
6	24286	SNAP RING, 9/16"	1
7	56370	REAR BRACKET ASSEMBLY	1
8	51390	BLOCK, HEIGHT ADJUSTMENT	2
9	22935	COLLAR, SET, 9/16"	1
10	22110	SET SCREW, 1/4 - 20 NC X 1/4	1
11	57738	EYE ROD, 9/16 RD X 7 13/16 - PLAIN	1
12	57735	EYE ROD, 9/16 RD X 7 13/16	1
13	22670	ROLL PIN, 1/8 X 3/4	2
14	24020	HANDLE	4
15	22050	SCREW, MACH, ROUND HD, 1/4 - 20 NC X 2 1/2	2
16	51430	ROD, PELVIC ADJUSTMENT, 1/2 X 13 3/16	1
17	51450	ROD, PELVIC SUPPORT	1
18	22060	SCREW, MACH, ROUND HD, 1/4 - 20 NC X 3	2
19	20020	BOLT, HEX HEAD, 1/4 - 20 NC X 1 1/4	6
20	21620	WASHER, FLAT, 1/4 ID X 9/16 OD	6
21	52781	BLOCK, SUPPORT, PELVIC (RH), 7/16 X 3/4 X 5 1/8	1
22	20120	BOLT, HEX HEAD, 1/4 - 28 NF X 1	8
23	52780	BLOCK, SUPPORT, PELVIC (LH), 7/16 X 3/4 X 5 1/8	1
24	22469	SCREW, WOOD, FLAT HEAD, #10 X 7/8	1

# ANKLE REST GALAXY 900 HS



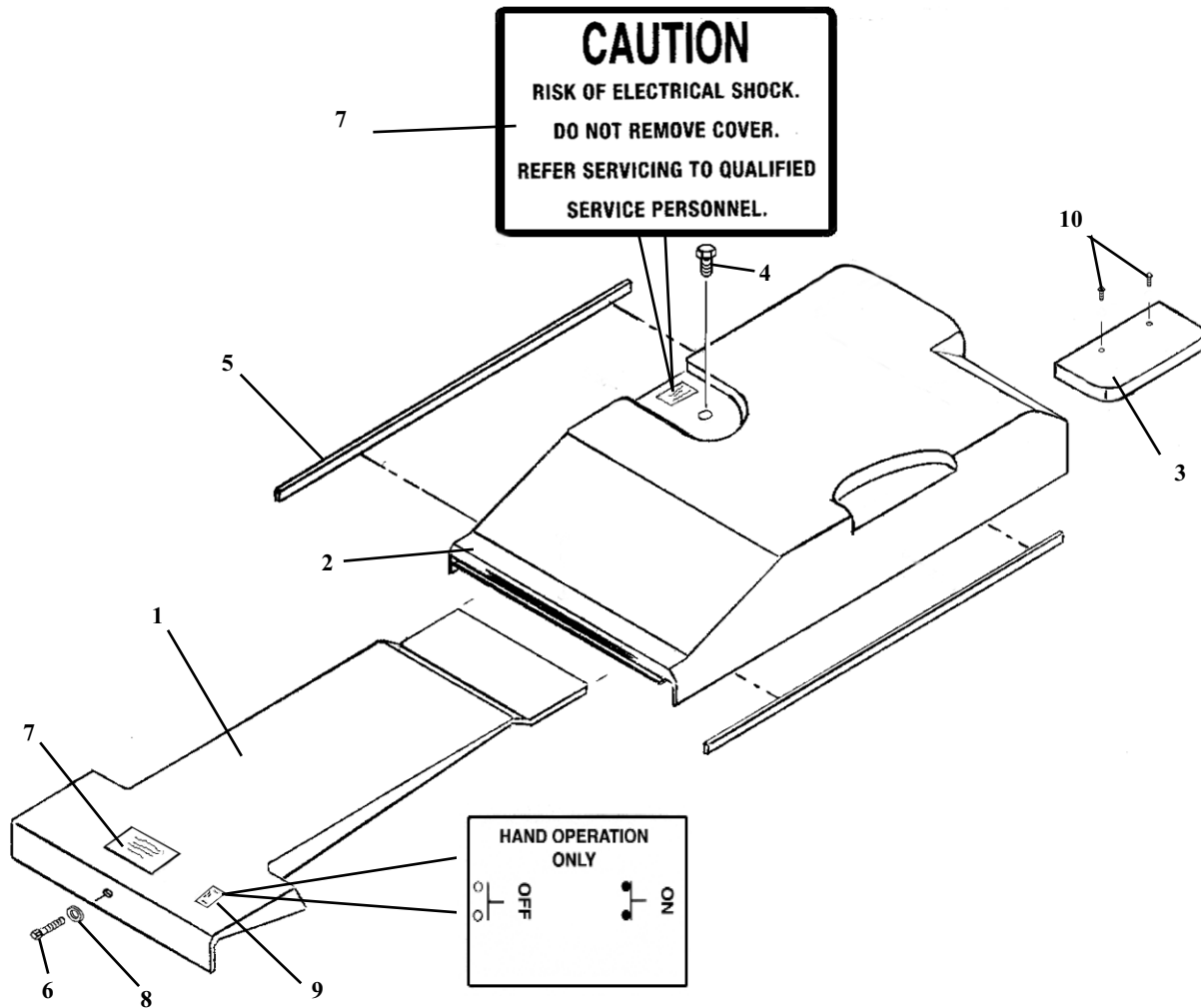
ITEM	PART NO.	DESCRIPTION	QTY.
1A	40430	ANKLE REST CUSHION, STANDARD	1
1B	40410	ANKLE REST CUSHION, WIDE	1
2	56537	EYE-ROD, 7/16 DIA X 7 11/16	1
3	56516	SUPPORT ROD ASSEMBLY	2
4	22468	SCREW, SHEET METAL, #10 X 7/8	8
5	22922	COLLAR, SET, 5/16 ID X 5/8 OD	2
6	22090	SET SCREW, #10 - 32 NF X 3/16	2
7	20199	BOLT, SOCKET HD, 5/16 - 18 NC X 1/2, SHOU 3/8 X 1/2	2
8	51550	STABILIZER ROD	1
9	24181	KNOB, LOCK, ANKLE SLIDE	1
10	56533	LOCK ASSEMBLY	1
11	24284	SNAP RING, 7/16	1
12	22932	COLLAR, STOP, 7/16 ID X 7/8 OD	1
13	22110	SET SCREW, 1/4 - 20 NC X 1/4	1

# FOOT STAND ASSEMBLY GALAXY 900 HS



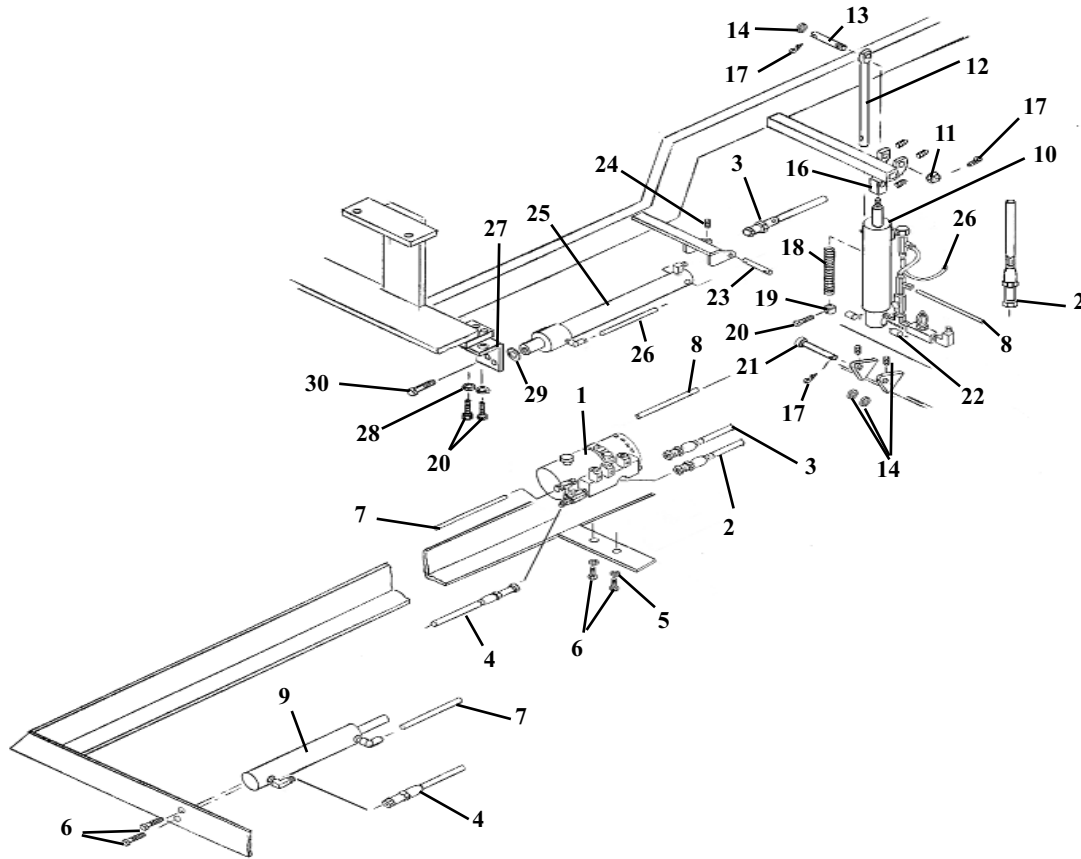
ITEM	PART NO.	DESCRIPTION	QTY.
1	40711	RUBBER, NON-SKID	1
2A	51710	PLATE, FOOT, 1/4 X 12 X 17 15/16	1
2B	51708	PLATE, FOOT, 1/4 - 10 X 17 15/16 (FOLDAWAY)	1
3	21850	WASHER, FLAT, PLASTIC, 3/8 ID X 1 OD	2
4	51751	BUSHING, TOMAHAWK, HEXAGONAL OFFSET	2
5	20222	BOLT, HEX HEAD, 5/16 - 18 NC X 1 1/4	2
6	56770	FOOT SUPPORT ASSEMBLY, ARROW	2
7A	56789	GUIDE BAR ASSEMBLY, 19"	2
7B	56787	GUIDE BAR ASSEMBLY, 19" (FOLDAWAY)	2
8	22680	ROLL PIN, 3/16 X 5/8	2
9	24409	TIP, RUBBER	2
10	21210	NUT, HEX, 3/8 - 16 NC	2
11	56774	PAD, FOOT PLATE, 1 1/4 RD X 18	2
12	21860	WASHER, FLAT, 3/8 ID X 13/16 OD	2
13	20350	BOLT, HEX HD, 3/8 - 16 NC X 1 1/4	2
14	22013	SCREW, MACHINE, BUTTON SOC HD, 1/4 - 20 NC X 1/2	6
15	22110	SET SCREW, 1/4 - 20 NC X 1/4	2

# COVERS GALAXY 900 HS



ITEM	PART NO.	DESCRIPTION	QTY.
1	699020	COVER, FRONT	1
2	699100	COVER, MOTOR	1
3	699080	COVER, CIRCUIT BOARD	1
4	36970	CAP, BREATHER	1
5	24470	TAPE, FOAM	2
6	20320	BOLT, HEX HEAD, 3/8 - 16 NC X 3/4	1
7	31154	STICKER, CAUTION, 1.5 X 3 - RISK OF SHOCK	1
8	21850	WASHER, FLAT, PLASTIC, 3/8 ID X 1 OD	1
9	31175	STICKER, ON - OFF HAND OPERATION, 1 1/2 X 2 1/4	1
10	21980	SCREW, MACHINE, FLAT HEAD, #6 - 32 NC X 1/2	2

# HYDRAULIC GALAXY 900 HS



ITEM	PART NO.	DESCRIPTION	QTY.
1	623500	PUMP & MOTOR	1
2	45391	HOSE, HYD, 3/16 X 80 1/2 (MOTOR TO TILT CYLINDER)	1
3	45396	HOSE, HYD, 3/16 X 91 1/2 (MOTOR TO EXT / RET CYLINDER)	1
4	45300	HOSE, HYD, 3/16 X 30 1/2 (MOTOR TO ELEVATION CYLINDER)	1
5	21810	WASHER, FLAT, 3/8 ID X 11/16 OD	2
6	20320	BOLT, HEX HD, 3/8 - 16 NC X 3/4	4
7	23617	HOSE, LEGRIS, 1/4 X 18 (MOTOR TO ELEVATION CYLINDER)	1
8	23655	HOSE, LEGRIS, 1/4 X 86 (MOTOR TO TILT CYLINDER)	1
9	624940	ELEVATION CYLINDER	1
10	624732	TILT CYLINDER	1
11	21322	NUT, HEX, JAM, CASTLED, 1/2 - 20 NF	1
12	56950	EYE-ROD ASSEMBLY	1
13	51930	PIN, CYLINDER, 1/2 X 3 3/4	1
14	21910	WASHER, FLAT, 1/2 ID X 1 OD	2
15	22116	SET SCREW, 1/4 - 28 NF X 1/2, NYLON TIP	1
16	56969	BLOCK, TILT CYLINDER, 1 1/4 X 1 1/4 X 1 1/2	1
17	22640	PIN, COTTER, 3/32 X 1	4
18	30782	COIL, SPRING	1
19	22932	COLLAR, STOP, 7/16 ID	1
20	20007	BOLT, HEX HD, 1/4 - 20 NC X 5/8	3
21	22679	PIN, CYLINDER, 1/2 RD X 3/32	1
22	22886	BUSHING, OILITE, 1/2 X 5/8 X 1	2
23	58201	PIN, CYLINDER, 3/8 X 2	1
24	22091	SET SCREW, #10 - 24 X 3/16	1
25	624910	EXTENSION CYLINDER	1
26	23640	HOSE, LEGRIS, 1/4 X 50 (EXT / RET CYL TO TILT CYLINDER)	1
27	52097	BRACKET, CYLINDER	1
28	21620	WASHER, FLAT, 1/4 ID X 9/16 OD	2
29	21710	WASHER, FLAT, 5/16 ID X 11/16 OD	1
30	20222	BOLT, HEX HD, 5/16 ID X 11/16 OD	1
31	22160	SET SCREW, 1/4 - 28 NF X 1/4	4
32	52075	CLAMP, HYDRAULIC, 1/8 X 3/4 X 2 5/8 (NOT SHOWN)	1



# GALAXY 900 HS HYDRAULIC ASSEMBLIES

## # 623500 - GALAXY 900 HS NON-AUTO, NEW-BLOCK PUMP, MOTOR & BLOCK ASSEMBLY

# 30495 - PUMP & MOTOR, 115 VOLT, 2002	# 23564 - BLOCK, MANIFOLD
# 23568 - VALVE, POPPET, NC (RELEASE)	# 36012 - COIL, 24V, SINGLE STUD (4 EACH)
# 23571 - VALVE, DOUBLE POPPET (SHORT FIX-ALL) (3 EACH)	# 23336 - NIPPLE, PIPE, 1/8" X 5"
# 23130 - FITTING, 90 DEG, 1/8" MALE - FEMALE	# 23132 - FITTING, 90 DEG, 1/8" FEMALE - FEMALE
# 23322 - NIPPLE, PIPE, 1/8" X 2"	# 23020 - COUPLER, FEMALE, 1/8"
# 23219 - FITTING, TEE, 1/8" X 1/4" COMPRESSION	# 23310 - NIPPLE, PIPE, 1/4" CLOSE
# 23085 - FITTING, STRAIGHT, SAE 1/8" PIPE	# 23577 - VALVE, FLOW, DIRECTIONAL
# 23090 - FITTING, 45 DEG, 1/8" To JIC	# 23155 - FITTING, 90 DEG, MORB # 4 To JIC
# 23407 - PLUG, # 8 CAVITY	

## # 624940 - ELEVATION CYLINDER ASSEMBLY

# 30250 - ELEVATION CYLINDER	# 23350 - NIPPLE, PIPE, 1/4" CLOSE
# 23050 - COUPLER, FEMALE, 1/4"	# 23110 - FITTING, 90 DEG, 1/8" MALE To JIC
# 23129 - FITTING, COMPRESSION, 90 DEG, 1/8" NPT To 1/4" COMP	

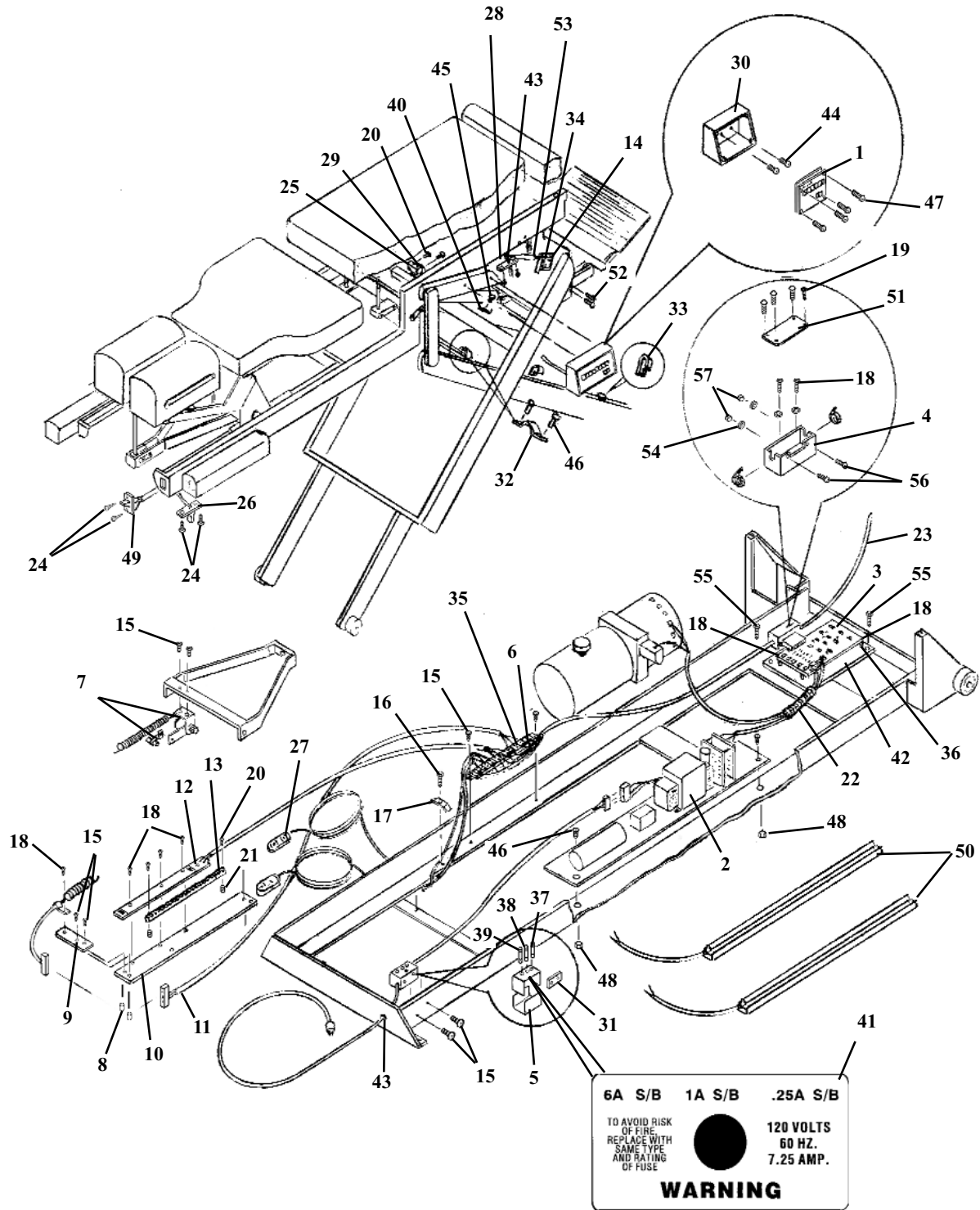
## # 624732 - TILT CYLINDER ASSEMBLY


# 56942 - TILT CYLINDER	# 23321 - NIPPLE, PIPE, 1/8" X 1 1/4"
# 23210 - FITTING, MALE RUN TEE, 1/8"	# 23570 - VALVE, ADJUSTABLE FLOW
# 23110 - FITTING, 90 DEG, 1/8" MALE To JIC	# 23580 - VALVE, NEEDLE
# 23161 - FITTING, 90 DEG, 1/4" STREET To 1/8" FEMALE	# 23610 - HOSE, LEGRIS, 1/4" X 11"
# 23209 - FITTING, MALE COMPRESSION TEE, 1/4" To 1/8" PIPE (2 EACH)	

## # 624910 - HEAD & CHEST EXTENSION CYLINDER ASSEMBLY

# 56953 - EXTENSION CYLINDER	# 23129 - FITTING, COMP, 90 DEG, 1/8 NPT To 1/4 COMP
# 23110 - FITTING, 90 DEG, 1/8" MALE To JIC	

# ELECTRICAL ASSEMBLY GALAXY 900 HS

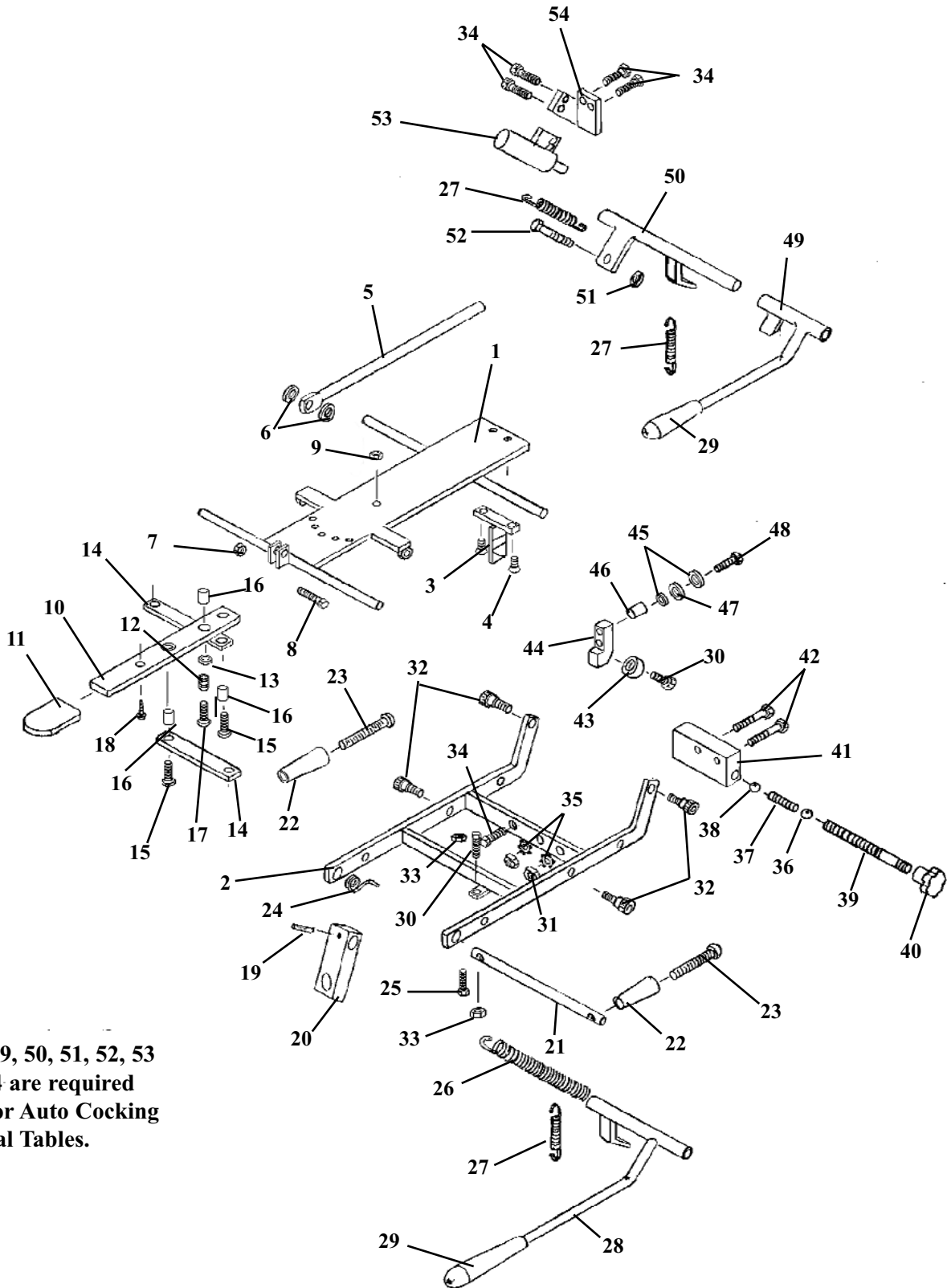


6A S/B	1A S/B	.25A S/B
<small>TO AVOID RISK OF FIRE REPLACE WITH SAME TYPE AND RATING OF FUSE</small>		
		<small>120 VOLTS 60 HZ. 7.25 AMP.</small>
<b>WARNING</b>		

# ELECTRICAL - GALAXY 900 HS

ITEM	PART NO.	DESCRIPTION	QTY.
1	45024	CIRCUIT BOARD ASS'Y, HEIGHT SELECT LOGIC	1
2	45017	POWER CHASSIS ASS'Y	1
3	45032	CIRCUIT BOARD ASS'Y, CONTROL LOGIC - VALVE DRIVER	1
4	52045	BOX, HARNESS JUNCTION	1
5	44052	BOX ASSEMBLY, A. C. DISTRIBUTION	1
6	38360	TERMINAL STRIP, 11 POSITION	1
7	44060	POTENTIOMETER ASS'Y, HEIGHT SENSING	1
8	37930	SPACER, #8 X 3/8	4
9	55383	PLATE, SUPPORT, RETRACTILE CORD, 1 X 3 1/2	1
10	52082	PLATE, GEAR RACK, 1/8 X 1 1/2 X 16	1
11	45173	CABLE ASS'Y, HEIGHT SENSING POTENTIOMETER	1
12	44051	CIRCUIT BOARD ASS'Y, HEIGHT LIMIT - LOWER LIMIT	1
13	52760	RACK, GEAR, HS, 1/4 X 1/4 X 11	1
14	44048	SWITCH ASS'Y, TILT LIMIT	1
15	21975	SCREW, MACHINE, PAN HEAD, #6 - 32 NC X 1/4	9
16	20112	BOLT, HEX HEAD, 1/4 - 28 NF X 5/8	1
17	52073	CLAMP, WIRE HARNESS, 3/16 X 3/4 X 2 1/2	1
18	21972	SCREW, MACHINE, PAN HEAD, #6 - 32 NC X 1/4	9
19	21980	SCREW, MACHINE, FLAT HEAD, #6 -32 NC X 1/2	4
20	21977	SCREW, MACHINE, RD HEAD, #6 - 32 NC X1	4
21	51956	SPRING, RACK MOUNTING	2
22	45171	CABLE ASS'Y, VALVE - POWER SUPPLY W/AUTO DROPS	1
23	45135	WIRE HARNESS ASS'Y, 900 HS	1
24	22410	SCREW, SHEET METAL, RD HEAD, #6 X 1/4	5
25	38040	SWITCH, LIMIT, SEQUENCE	1
26	45175	CABLE ASS'Y, EXTENSION SWITCH	1
27	44091	PEDAL ASS'Y, DIRECTION CONTROL	1
28	52070	PLATE, CORD, 1/8 X 7/8 X 4	1
29	45172	CABLE ASS'Y, UPPER SEQUENCE LIMIT	1
30	52039	BOX, CONSOLE SWITCH	1
31	52081	PLATE, REINFORCEMENT, DISTRIBUTION BOX	1
32	52074	U - CLAMP, WIRE	2
33	52072	J - CLAMP, WIRE	3
34	45179	CABLE ASS'Y, TILT LIMIT SWITCH	1
35	44019	CAPACITOR ASS'Y, 900 HS FILTER	1
36	37900	SPACER, HEX, MALE - FEMALE, #6 - 32 NC X 1/2	4
37A	36322	FUSE, 0.125A, 220 - 250V	1
37B	36325	FUSE, 0.25A, 120V	1
37C	36320	FUSE, 0.5A, 100V	1
38A	36333	FUSE, 0.75A, 220 - 250V	1
38B	36335	FUSE, 1A, 120V	1
38C	36340	FUSE, 2A, 100V	1
39A	36352	FUSE, 4A, 220 - 250V	1
39B	36360	FUSE, 6A, 120V	1
39C	36370	FUSE, 8A, 100V	1
40	35900	CLAMP, CABLE TIE	2
41A	31152	STICKER, 1.5 X 3, 120V, FUSE WARNING, YELLOW	1
41B	31153	STICKER, 1.5 X 3, 220 - 250V, FUSE WARNING, YELLOW	1
41C	31151	STICKER, 1.5 X 3, 100V, FUSE WARNING, YELLOW	1
42	30083	PLATE, MOUNTING, CIRCUIT, 1/8 X 10 X 11 1/4	1
43	24242	GROMMET	2
44	21985	SCREW, MACHINE, PAN HEAD, #10 - 24 NC X 1/2	2
45	21981	SCREW, MACHINE, FLAT HEAD, #8 -32 NC X 1/2 (PLASTIC)	2
46	22003	SCREW, MACHINE, PAN HEAD, #10 - 24 NC X 3/4	4
47	21984	SCREW, MACHINE, PAN HEAD, M3 X 8M	4
48	21450	NUT, HEX, #10 - 24 NC	4
49	44045	SWITCH ASS'Y, TILT DOWN ACTIVATE, 900 HS	1
50A	44093	SWITCH ASS'Y, TAPE, ALL AUTO, 36" LONG (PAIR)	1
50B	44094	SWITCH ASS'Y, TAPE, AUTO PELVIC, 12" LONG (PAIR)	1
51	52047	LID, JUNCTION BOX ASS'Y	2
52	21979	SCREW, MACHINE, PAN HEAD, #6 - 32 NC x 5/8	2
53	21410	NUT, HEX, #6 - 32 NC	1
54	21500	WASHER, LOCK, #4	2
55	20007	BOLT, HEX HEAD, 1/4 - 20 NC X 5/8	4
56	21964	SCREW, MACH, PAN HEAD, #4 - 40 NF X 3/8	2
57	21405	NUT, HEX, #4 - 40 NF	2
	30168	PLATE, TILT LIMIT SWITCH (FOR FOLDAWAY FOOTPLATE - NOT SHOWN)	1
	52000	SWITCH, TILT LIMIT(FOR FOLDAWAY FOOTPLATE)	1
	38630	WIRE, 22AWG, 3 CONN (24") (FOR FOLDAWAY FOOTPLATE-NOT SHOWN)	1
	36030	CONNECTOR, CRIMP, CLOSED END-LARGE (FOR FOLDAWAY FOOTPLATE)	1
	36162	CONNECTOR, QUICK, 22 X 18 AWG (FOR FOLDAWAY FOOTPLATE)	2

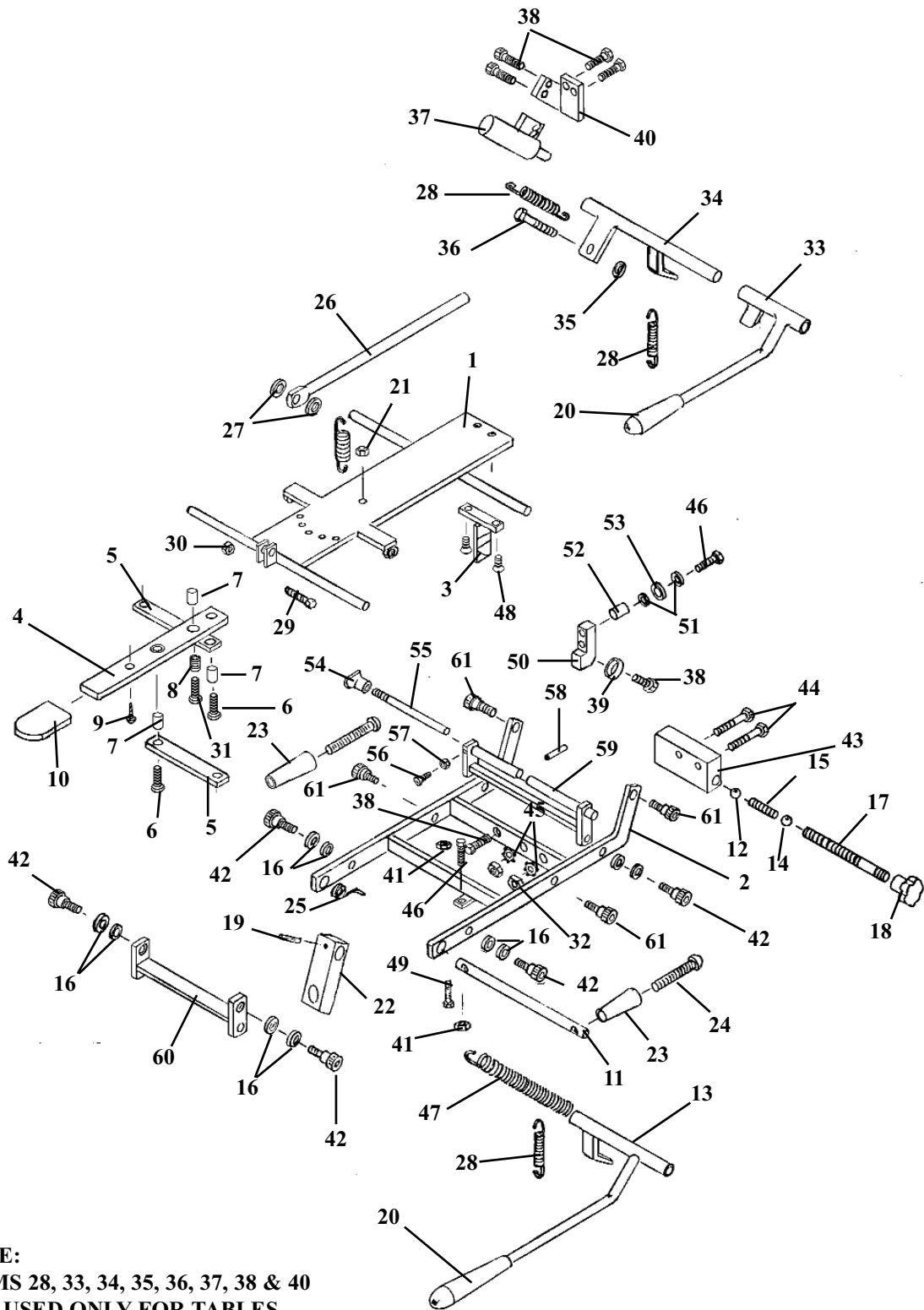
# STRAIGHT DROP HEAD ASS'Y



Items 49, 50, 51, 52, 53  
and 54 are required  
only for Auto Cocking  
Cervical Tables.

# STRAIGHT DROP HEAD ASSEMBLY

ITEM	PART NO.	DESCRIPTION	QTY
1	56011	FASTENER PLATE ASS'Y, '89 STRAIGHT DROP HD	1
2	57201	OUTSIDE DROP FRAME ASS'Y, '89 FM HEAD	1
3	55850	TEE WEDGE ASSEMBLY	1
4	22017	SCREW, MACHINE, FLAT HEAD, ¼ - 20 UNC X ½	2
5	55929	CENTER ROD ASSEMBLY	1
6	21616	WASHER, PLASTIC, ¼ ID X ¼ OD	2
7	21020	NUT, HEX, ¼ - 28 UNF	1
8	20115	BOLT, HEX HEAD, ¼ - 28 UNF X ¼	1
9	21450	NUT, HEX, # 10 - 24 UNC	1
10	57221	ADJUSTMENT ARM, 1/8 X 7/8 X 8	1
11	24236	GUARD, TEE HANDLE	1
12	30722	SPRING, COMPRESSION, 0.235 ID X 5/16 OD X ½	1
13	21610	WASHER, PLASTIC, 0.26 ID X ½ OD	2
14	57175	LINKAGE BAR, 1/8 X ½ X 3 13/16	2
15	21995	SCREW, MACHINE, PAN HEAD, # 10 - 24 UNC X ½	2
16	22860	BUSHING, 0.465 ID X 9/16 OD X 19/32	3
17	22003	SCREW, MACHINE, PAN HEAD, # 10 - 24 UNC X ¼	1
18	22300	SCREW, MACHINE, # 8 - 32 UNC X ¼	1
19	22660	ROLL PIN, 1/8 X 5/8	1
20	54107	BLOCK, ADJUSTING, '89 HEAD, 5/8 X 1 X 2 15/16	1
21	57205	ROD, TILT HANDLE, 3/8 RD X 5 ½	1
22	24020	HANDLE	2
23	22050	SCREW, MACHINE, RD HEAD, ¼ - 20 - UNC X 2 ½	2
24	30871	SPRING, TORSION	1
25	20024	BOLT, SOCKET HEAD, ¼ - 20 UNC X 1 ¼	1
26	30785	SPRING, TENSION (HYLO TABLES)	1
27	30725	SPRING, EXTENSION, ¼ ID X 5/16 X 1	1
28	56067	COCKING HANDLE ASS'Y, F/M '89 HEAD	1
29	24010	HANDLE GRIP	1
30	20020	BOLT, HEX HEAD, ¼ - 20 UNC X 1 ¼	2
31	21112	NUT, HEX, 5/16 X 18 UNC	2
32	20197	BOLT, SOCKET HEAD, 5/16 - 18 UNC, SHOULDER, 3/8 X 3/8	4
33	21012	NUT, JAM, ¼ - 20 UNC/2	2
34	20007	BOLT, HEX HEAD, ¼ - 20 UNC X 5/8	6
35	21755	WASHER, STAR, 5/16 ID	2
36	22701	BALL, STEEL, ¼ RD	1
37	30721	SPRING, COMPRESSION, 0.175 ID X 23/64 OD X 1 1/8	1
38	22700	BALL, BEARING, 3/8 RD	1
39	57184	STUD, TENSION ADJUSTMENT, 5/16 RD X 2 ¼	1
40	24150	KNOB, TENSION ADJUSTMENT	1
41	55849	BLOCK, DROP, 1 X 1 7/16 X 2 3/32	1
42	20235	BOLT, HEX HEAD, 5/16 - 18 UNC X 1 ¾	2
43	22805	BALL, BEARING, ¼ ID	1
44	57102	BLOCK, BACKER BEARING, STRAIGHT DROP, ¾ X 9/16 X 1 ¼	1
45	21620	WASHER, FLAT, ¼ ID X 9/16 OD X 3/16	2
46	50720	SPACER, 3/8 ID X ½ OD X ½	1
47	21710	WASHER, FLAT, 5/16 ID X 0.688 OD	1
48	20022	BOLT, HEX HEAD, ¼ - 20 UNC X 1	1
49	56069	COCKING HANDLE ASS'Y, F/M '89 HEAD (AUTO DROP)	1
50	57140	COCKING LEVER ASS'Y, F/M '89 HEAD (AUTO DROP)	1
51	21210	NUT, HEX, 3/8 - 16 UNC (AUTO DROP)	1
52	20320	BOLT, HEX HEAD, 3/8 - 16 UNC X ¾ (AUTO DROP)	1
53	625020	COCKING CYLINDER, ¾ RD w/FITTINGS (AUTO DROP)	1
54	57194	BRACKET, CYLINDER ADAPTER (AUTO DROP)	1

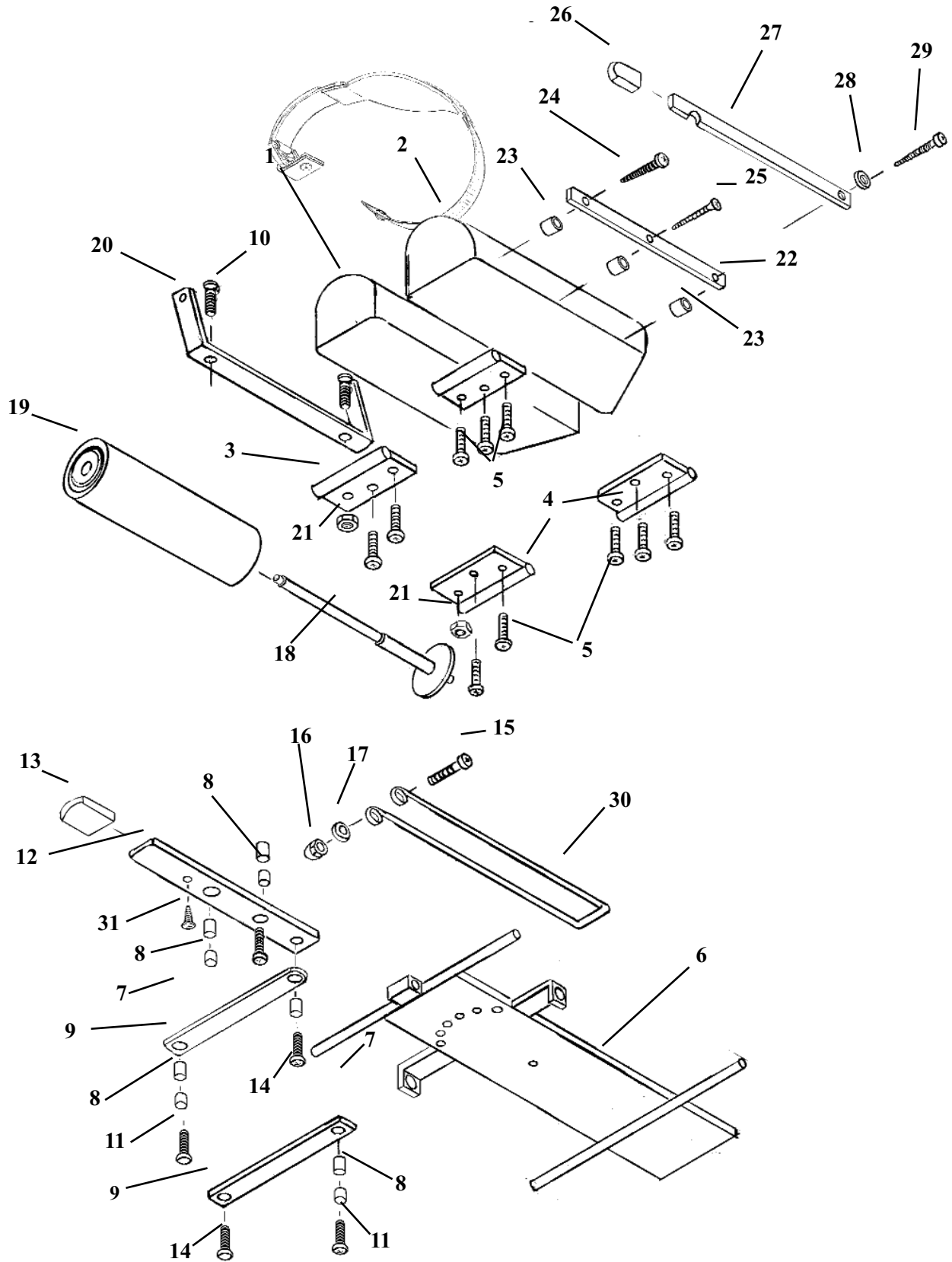


**NOTE:**  
**ITEMS 28, 33, 34, 35, 36, 37, 38 & 40**  
**ARE USED ONLY FOR TABLES**  
**WITH**  
**AUTO COCKING CERVICAL.**

## FORWARD MOTION HEAD FRAME

ITEM	PART NO.	DESCRIPTION	QTY
1	56059	OUTSIDE DROP FRAME ASS'Y	1
2	57201	OUTSIDE HEAD FRAME ASS'Y	1
3	55850	TEE WEDGE	1
4	57221	ADJUSTMENT ARM, HEAD CUSHION	1
5	57175	LINKAGE BAR, 1/8 X 1/2 X 3 9/16	2
6	21995	PAN HD. MACHINE SCREW, #10-24 NC X 1/2	2
7	22860	BUSHING, 3/16 ID X 1/4 OD	3
8	30722	COMPRESSION SPRING, 1/4 ID X 5/16 OD	1
9	22300	MACHINE SCREW, #8-32 NC X 1/4	1
10	24236	PLASTIC CAP	1
11	57205	SUPPORT ROD, 3/8 RD. X 6 1/16	1
12	22700	BALL, STEEL, 3/8 DIA	1
13	56067	COCKING LEVER ASS'Y	1
14	22701	BALL, BEARING, 1/4 DIA	1
15	30710	COMPRESSION SPRING, 9/64 ID X 1/4 OD	1
16	21760	PLASTIC WASHER, 5/16 ID X 1/2 OD	12
17	57184	TENSION ADJUSTMENT SCREW, 5/16 RD. X 2 3/4	1
18	24150	KNOB, TENSION ADJUSTMENT	1
19	22660	ROLL PIN, 1/8 X 5/8	1
20	24010	COCKING HANDLE	1
21	21450	HEX NUT, #10-24 NC	1
22	54107	ADJUSTING BLOCK, 5/8 X 1.00 X 2 15/16	1
23	24020	ADJUSTMENT HANDLE	2
24	22050	MACHINE SCREW, RD. HD., 1/4-20 NC X 2 1/2	2
25	30871	TORSION SPRING	1
26	55929	CENTER BAR,	1
27	21616	WASHER, FLAT, PLASTIC, 1/4 ID X 3/4 OD	2
28	30725	RETURN SPRING	2
29	20115	HEX.HD BOLT, 1/4-28 NF X 3/4	1
30	21020	NUT, HEX, 1/4-28 NF	1
31	22003	PAN HD. SCREW, #10-24 UNC X 3/4	1
32	21112	HEX.NUT, 5/16-18 UNC	2
33	56069	COCKING HANDLE ASS'Y (AUTO DROPS)	1
34	57140	COCKING LEVER ASS'Y (AUTO DROPS)	1
35	21210	HEX.NUT, 3/8-16 NC (AUTO DROPS)	1
36	20320	HEX.BOLT, 3/8-16 NC X 3/4 (AUTO DROPS)	1
37	625020	COCKING CYLINDER, 3/4 (AUTO DROPS)	1
38	20007	HEX.HD.BOLT, 1/4-20 NC X 5/8 (AUTO DROPS)	6
39	22805	BEARING	1
40	57194	CYL.MT.BRACKET (AUTO DROPS)	1
41	21012	NUT, JAM, 1/4-20 UNC	2
42	20002	SOCKET HD. BOLT, 1/4-20 NC X 1 1/4	6
43	55849	DROP BLOCK	1
44	20235	HEX.HD.BOLT, 5/16-18 NC X 1 3/4	2
45	21755	WASHER, STAR 5/16ID	2
46	20020	HEX.HEAD BOLT, 1/4-20 NC X 1 1/4-GR 5	3
47	30785	TENSION SPRING (HYLO TABLES ONLY)	1
48	22017	FLAT HD. SCREW, 1/4-20UNC X 3/4	2
49	20024	BOLT, SOCKET HEAD, 1/4 - 20 UNC X 1 1/4	1
50	57103	BLOCK	1
51	21620	FLAT WASHER 1/4ID X 9/16OD	2
52	50720	SPACER	1
53	21810	FLAT WASHER 3/8ID X 13/16OD	1
54	24160	LOCK KNOB	1
55	55932	LOCK ROD	1
56	21981	PLASTIC FLAT HD. SCREW, #8-32 NC X 1/2	1
57	21420	HEX.NUT, #8-32NC	1
58	22657	ROLL PIN 1/8 X 3/8	1
59	56060	STABILIZER BRACE ASS'Y	1
60	57144	FRONT ROCKER FRAME ASS'Y	1
61	20197	SOCKET HD. SHOULDER BOLT, 5/16-18 UNC	4

# FLEXION HEAD CUSHION ASSEMBLY

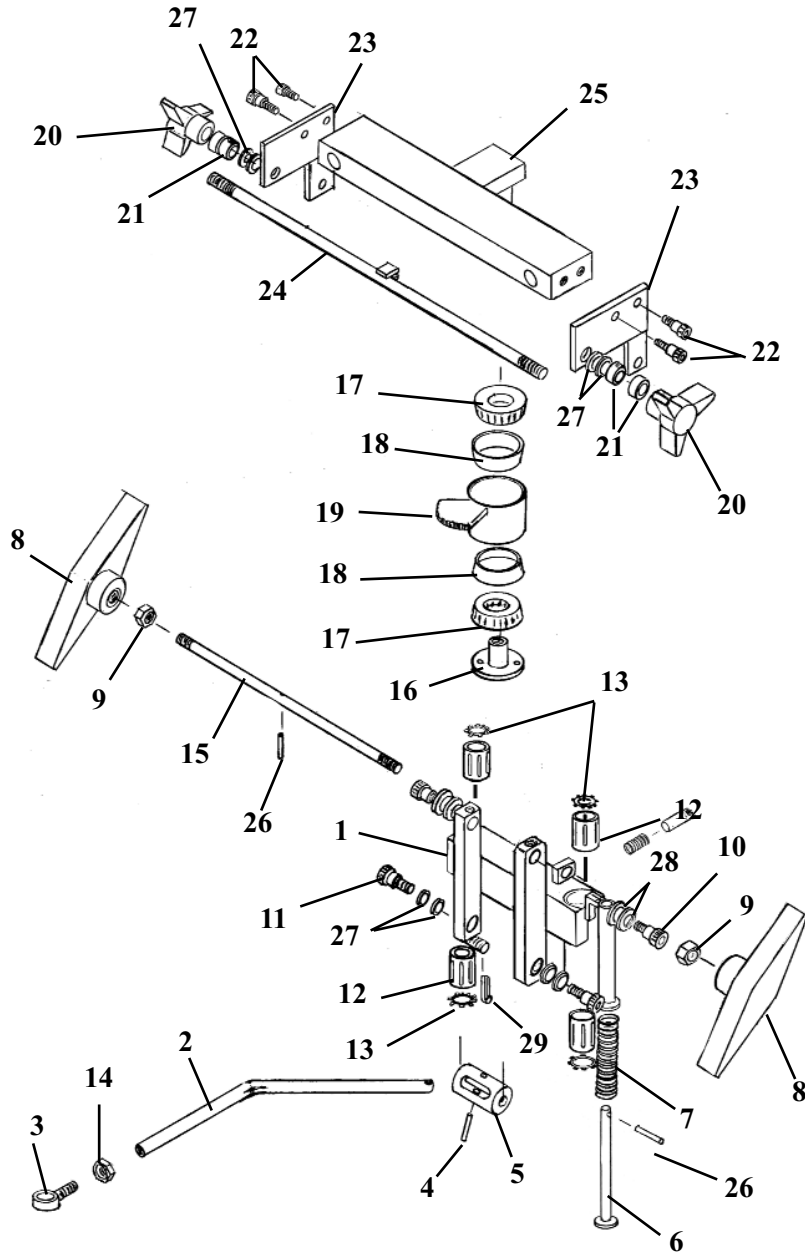




## FLEXION HEAD CUSHION ASSEMBLY

ITEM	PART NO.0.	DESCRIPTION	QTY.
1	40980	HEAD CUSHION ASSEMBLY (RH)	1
2	40979	HEAD CUSHION ASSEMBLY (LH)	1
3	57155	GUIDE BRACKET	2
4	57156	GUIDE BRACKET	2
5	22003	SCREW, MACHINE, PAN HEAD, #10 – 24 UNC X ¾	12
6	55825	INSIDE HEAD FRAME	1
7	57174	SPACER FORWARD DROP 3/8 X 1/2 X 5/8	4
8	22860	BUSHING, 3/16 ID X ¼ OD	5
9	57175	LINKAGE BAR	2
10	21995	SCREW, MACHINE, PAN HEAD, #10 – 24 NC X ½	2
11	22009	SCREW, MACHINE, #10 – 24 UNC X 1 1/2	2
12	57188	ADJUSTMENT BAR	1
13	24236	PLASTIC CAP	1
14	22695	RIVET, 3/16 X 3/8	2
15	22009	SCREW, MACHINE, PAN HEAD, #10 – 24 UNC X 1 ½	1
16	21447	NUT, ACORN, #10 – 24 UNC	1
17	21510	WASHER, FLAT, 3/16 ID X ½ OD	2
18A	57956	HANGER ASSEMBLY	1
18B	56430	HANGER ASSEMBLY (TILT TABLES ONLY)	1
19	29999	CREPE HEAD REST PAPER	1
20	55841	BRACKET, PAPER HOLDER, FLEX HEAD	1
21	21450	NUT, HEX, #10 – 24 UNC	2
22	50750	INSIDE CUTTING BAR	1
23	50720	SPACER, PAPER CUTTER, 3/8 ID X ½ OD	3
24	22522	SCREW, WOOD, ROUND HEAD, #9 X 2	1
25	22510	SCREW, WOOD, FLAT HEAD, #9 X 1 ½	1
26	24235	GUARD, CUTTING BAR	1
27	50770	OUTSIDE CUTTING BAR	1
28	21610	WASHER, FLAT, PLASTIC, 0.26 ID X ½ OD	1
29	22550	SCREW, WOOD, ROUND HEAD, #14 X 2	1
30	30700	CENTER PAPER WIRE, FLEXION HEAD, 1/8 X 25	1
31	22300	SCREW, MACHINE, #8 – 32 UNC X ¼	1

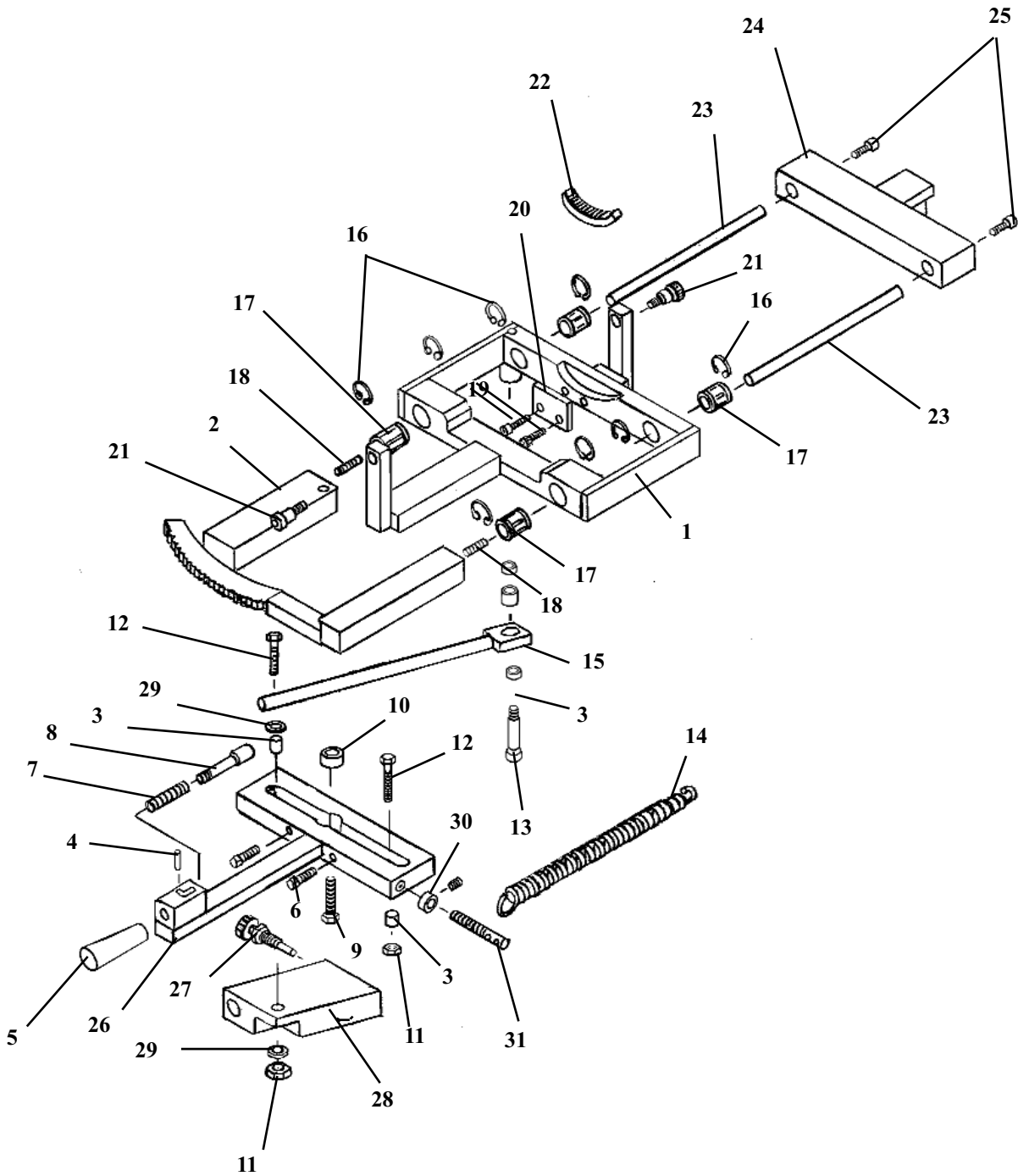
# FLEXION HEAD SHUTTLE ASS'Y



## FLEXION HEAD SHUTTLE ASS'Y

ITEM	PART NO.	DESCRIPTION	QTY.
1	55750	SHUTTLE ASS'Y	1
2	55787	LINKAGE ROD	1
3	22740	SWIVEL JOINT END	1
4	22689	SHEARPROOF PIN, ¼ 1 1/4	1
5	55757	ROTATION CYLINDER	1
6	55959	PLUNGER	1
7	30740	COMPRESSION SPRING	1
8	24186	ADJUSTMENT HANDLE	2
9	21210	HEX NUT, 3/8-16 UNC	2
10	20199	SHOULDER BOLT, 5/16-18 UNC X ½	2
11	20003	SHOULDER BOLT, ¼-20 UNC X ½	2
12	22891	GLIDE BEARING	4
13	24050	SNAP RING	4
14	21020	HEX NUT 1/4-28	1
15	55949	ADJUSTMENT ROD	1
16	55764	LOCK COLLAR	1
17	22835	ROLLER BEARING	2
18	22800	RACE, BEARING	2
19	55756	BEARING HUB	1
20	24170	STAR HANDLE	2
21	22910	COLLAR	4
22	21997	SOCKET SCREW, #10-32 UNC X ½	4
23	55783	SUPPORT PLATE	2
24	55804	LOCK ROD	1
25	55768	ROTATION LOCK	1
26	22675	ROLL PIN	1
27	21610	PLASTIC WASHER ¼ ID X ½ OD	8
28	21800	PLASTIC WASHER 3/8ID X 5/8 OD	4
29	22640	COTTER PIN 3/32 X 1	1

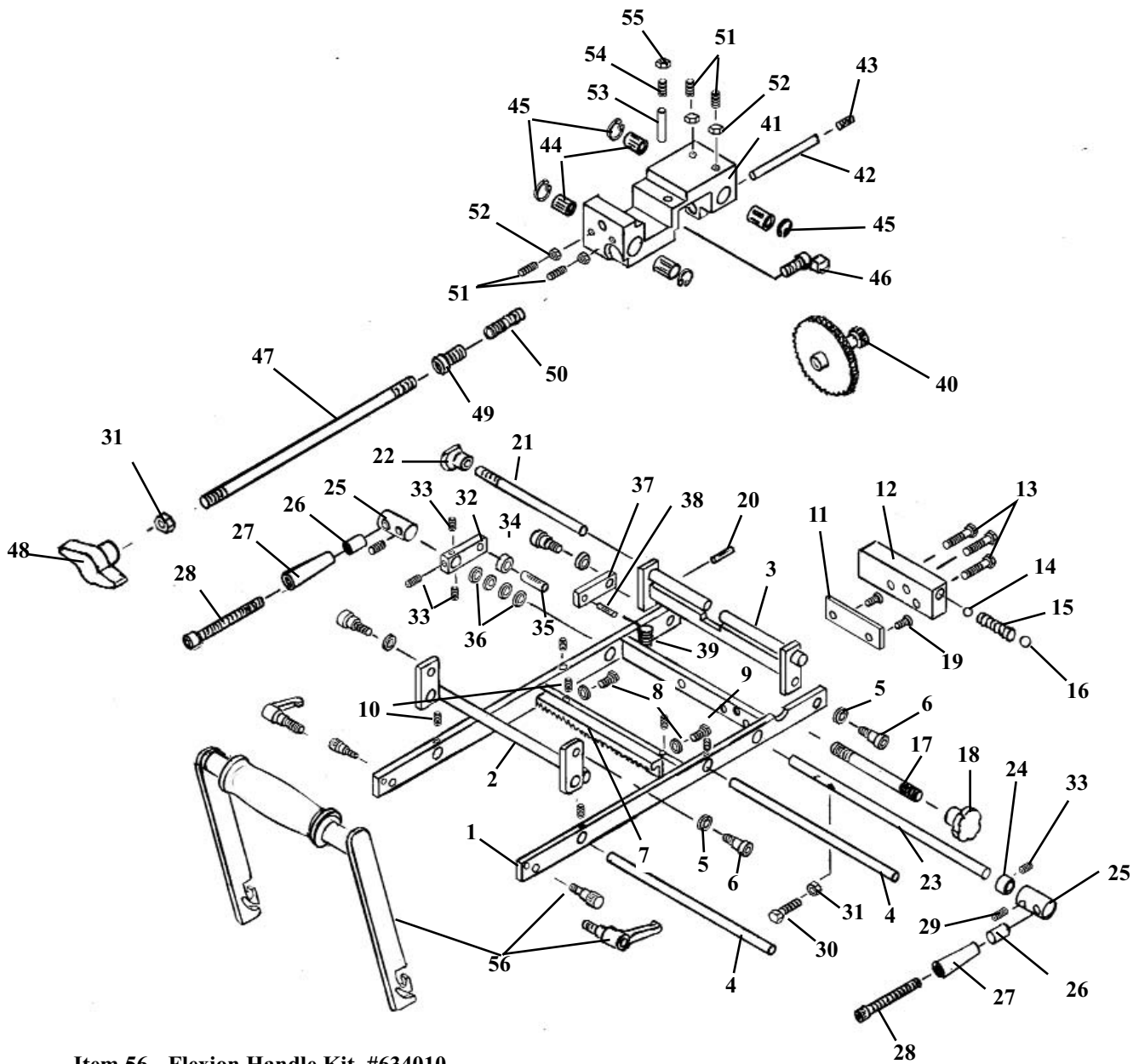
# SLIDE FRAME ASS'Y FLEXION HEAD



# SLIDE FRAME ASSEMBLY FLEXION HEAD

ITEM	PART NO.	DESCRIPTION	QTY.
1	55778	SLIDE BRACKET ASS'Y	1
2	55794	LOCK FRAME ASS'Y	1
3	22865	BUSHING, ¼ ID X 5/16 OD	3
4	22657	ROLL PIN 1/8 X 3/8	1
5	22660	LOCK KNOB	1
6	22031	SOCKET HD SCREW, ¼-20 UNC X 1 ¼	2
7	30750	COMPRESSION SPRING	1
8	55762	LOCK PISTON	1
9	20332	HEX. HD. BOLT 3/8-16 UNC X 1	1
10	22810	ROLL BEARING	1
11	21020	HEX. NUT, ¼-28 UNF	2
12	55813	HEX. HD. BOLT ¼-28 UNF X 1 1/4	2
13	20010	HEX. BOLT, ¼-20 UNC X 3/4	1
14	30777	RETURN SPRING 1/2OD X 3 ½	1
15	55875	LINKAGE BAR	1
16	24287	C-CLIP	8
17	22892	BEARING S6, 3/8ID X 5/8 OD	4
18	55809	STUD, #10-32 UNF X ¾	2
19	22004	SOCKET HD. BOLT, #10-24 UNC X 1	2
20	55957	SUPPORT PLATE	1
21	20199	SOCKET HD. BOLT, 5/16-18 UNC, 3/8 X ½ SHLD.	2
22	56026	RING GEAR	1
23	55763	GUIDE ROD	2
24	55768	SIDE BENDING BLOCK	1
25	21997	SOCKET HD. BOLT, #10-32UNF X ½	2
26	55758	MOTION HANDLE ASS'Y	1
27	20322	LOCK BOLT	1
28	55874	LOCK BLOCK	1
29	21620	FLAT WASHER ¼ ID	2
30	22921	COLLAR	1
31	20258	HEX. HD. BOLT, 5/16-18UNC X 2 ½	1

# ROTATION BLOCK ASSEMBLY FLEXION HEAD



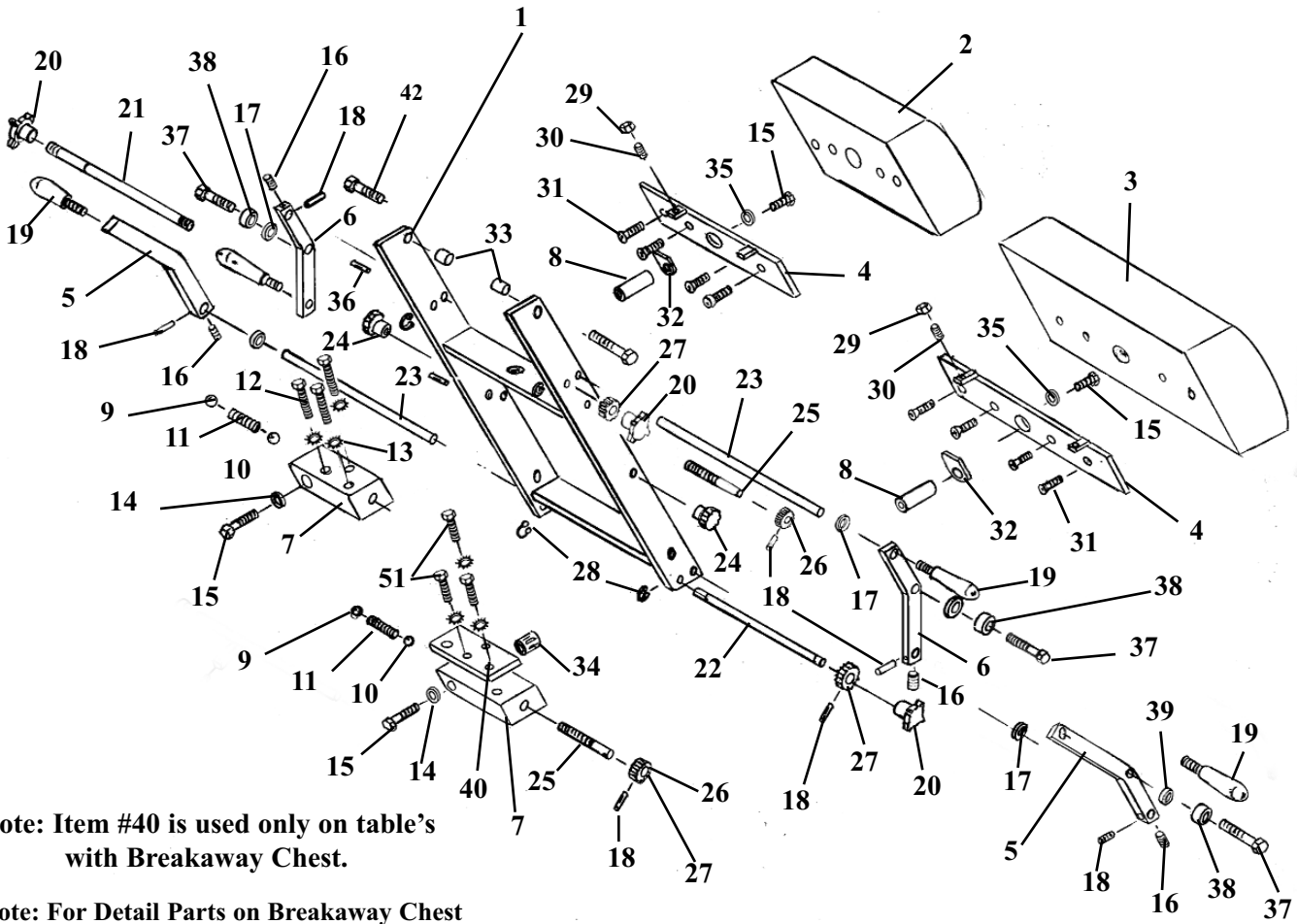
**Item 56 - Flexion Handle Kit #634010**

Part No.	Description	Qty
55838	Handle Tube	1
55836	Side Ass'y (RH)	1
55837	Side Ass'y (LH)	1
24023	Handle Grip	1
24024	Adjustable Thumb Handle	2
20188	Socket Hd. Bolt #10-24	2
22410	Pan Hd. Screw	2
24060	Buckle, Plastic	1
28108	Harness, Hd, Neoprene	1

## ROTATION BLOCK ASSEMBLY FLEXION HEAD

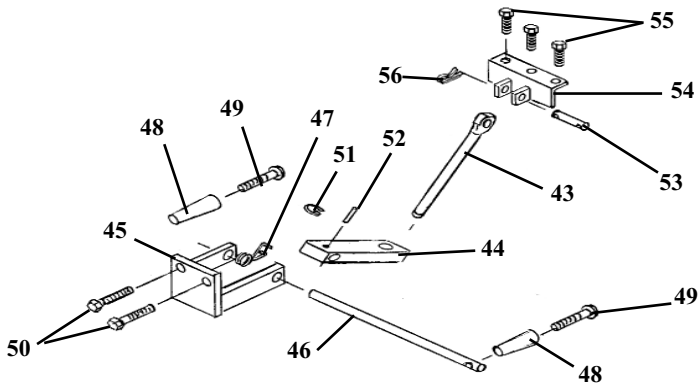
ITEM	PART NO.	DESCRIPTION	QTY.
1	55777	ROTATION FRAME ASSEMBLY, FLEXION HEAD	1
2	55773	PIVOT ARM ASSEMBLY, FLEXION HEAD	1
3	55963	STABILIZER BRACKET ASS'Y, SWIVEL HEAD	1
4	55788	GUIDE ROD, CRADLE ASS'Y, FLEX HD, 3/8 RD X 7 5/8	2
5	21610	WASHER, FLAT PLASTIC, 0.26 ID X 1/2 OD	4
6	20002	BOLT, SOCKET HEAD, 1/4 - 20 UNC SHOULDER 5/6 X 3/8	4
7	55984	GEAR RACK MOUNT ASS'Y, SWIVEL HEAD	1
8	21510	WASHER, FLAT, 3/16 ID X 1/2 OD	2
9	20000	BOLT, HEX HEAD, #10 - 32 UNF X 1/2	2
10	22090	SCREW, SET, #10 - 32 UNF X 3/16	6
11	55815	MOUNTING PLATE, FLEXION HEAD, 1/4 X 1 X 2 3/8	1
12	55789	BLOCK, DROP, FLEXION HEAD, 5/8 X 1 X 2.575	1
13	22001	SCREW, MACHINE, FLAT HEAD, #10 - 24 UNC X 1	3
14	22701	BALL, STEEL, 1/4" DIA	1
15	30721	SPRING, COMPRESSION, 9/64 ID X 1/4 OD X 1 1/4	1
16	22700	BALL, STEEL, 3/8" DIA	1
17	52172	ROD, ADJUSTMENT, 5/16 X 3 1/6	1
18	24150	KNOB, ADJUSTMENT	1
19	22073	SCREW, MACH, FLAT HD, 5/16 - 18 UNC X 7/16-GROUND OFF	2
20	22657	PIN, ROLL, 1/8 X 3/8	1
21	55968	ROD, LOCK	1
22	24160	KNOB, LOCK, STABILIZER, SWIVEL HD, 1/4 RD X 6 1/4	1
23	56032	COCKING ARM ASSEMBLY, SWIVEL HEAD	1
24	22912	COLLAR, 3/8" ID	1
25	56035	COLLAR, COCKING ROD, SWIVEL HD, 3/4 RD X 1 1/4	2
26	52192	HANDLE, EXTENSION, 1/4 ID X 9/16 OD X 1	2
27	24021	HANDLE, YELLOW	2
28	20129	BOLT, SOCKET HD, 1/4 - 20 UNC X 3 1/2	2
29	22250	SCREW, SET, 5/16 - 24 UNF X 1/2	2
30	20022	BOLT, HEX HD, 1/4 - 20 UNC X 1	1
31	21010	NUT, HEX, 1/4 - 20 UNC	2
32	58089	ARM, 3/8 X 5/8 X 2 5/16	1
33	22110	SCREW, SET, 1/4 - 20 UNC X 1/4	4
34	22805	BEARING, BALL, 1/4 ID	1
35	22688	PIN, ROLL, 1/4 X 5/8	1
36	21800	WASHER, FLAT, PLASTIC, 3/8 ID X 5/8 OD X 1/16	4
37	55821	COCKING ARM, FLEXION HEAD ASS'Y, 3/16 X 1/2 X 2	1
38	22660	PIN, ROLL, 1/8 X 5/8	1
39	30725	SPRING, EXTENSION, 1/4 ID X 5/16 OD X 1 1/8 (MODIFIED)	1
40	55814	GEAR TRAIN, ROTATION FRAME ASS'Y, FLEXION HEAD	1
41	30423	CRADLE BLOCK, FLEXION HEAD	1
42	55820	AXLE	1
43	22230	SCREW, SET, 5/16 - 18 UNC X 1/4	1
44	22892	BUSHING, 3/8 ID X 7/8 - SUPER 6	4
45	24048	C - CLIP	4
46	55782	GEAR LOCK	1
47	55824	LOCK ROD	1
48	24163	KNOB, PLASTIC, T - HANDLE	1
49	55823	GUIDE PLUG, FLEXION HEAD ASS'Y	1
50	30732	SPRING, COMPRESSION, 1/4 ID X 1 3/8	1
51	22095	SCREW, SET, #10 - 24 - UNC X 1/2	4
52	21450	NUT, HEX, #10 - 24 UNC	4
53	57178	PIN, ADJUSTMENT, 1/4 RD X 5/8	1
54	22231	SCREW, SET, 5/16 - 18 UNC X 3/4	1
55	21110	NUT, JAM, 5/16 - 18 UNC	1
56	634010	HANDLE ASSEMBLY	1

# DROP CHEST & LUMBAR CUSHION



**Note: Item #40 is used only on table's with Breakaway Chest.**

**Note: For Detail Parts on Breakaway Chest refer to Deluxe Chest Cushion (page 22 - 23).**



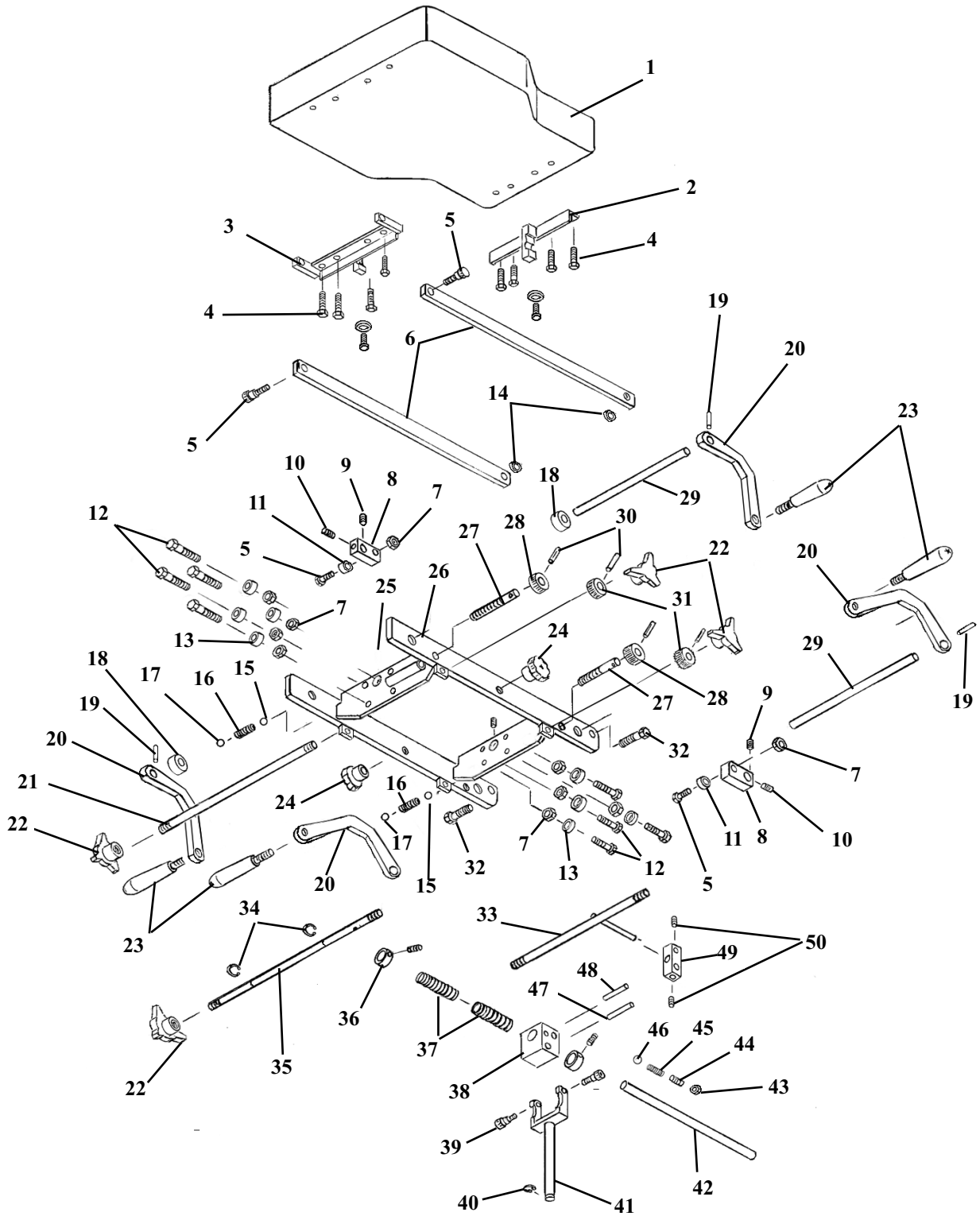


## DROP CHEST and LUMBAR ASSEMBLY

### For use with STANDARD or BREAKAWAY Type Table

ITEM	PART NO.	DESCRIPTION	QTY.
1	57309	CHEST & LUMBAR FRAME ASSEMBLY	1
2	40510	CUSHION, DROP CHEST	1
3	40530	CUSHION, DROP LUMBAR	1
4	57330	MOUNTING PLATE ASS'Y	2
5	57416	COCKING HANDLE BAR (RH)	2
6	57436	COCKING HANDLE BAR (LH)	2
7	30420	DROP BLOCK, ALUMINUM (LH)	2
8	30426	SHAFT, STEEL	2
9	22710	STEEL BALL, 1/2 "	2
10	22700	STEEL BALL, 3/8 "	2
11	30830	COMPRESSION SPRING, 1/4 ID X 1/2 OD X 2	2
12	20250	BOLT, HEX HEAD, 5/16 - 18 UNC X 2	3
13	21755	WASHER, STAR, 5/16 ID X 0.60 OD	6
14	21860	WASHER, FLAT, 7/16 ID X 1 OD	2
15	20321	BOLT, HEX HEAD, 3/8 - 24 UNF X 3/4	4
16	22160	SET SCREW, 1/4 - 28 UNF X 1/4	4
17	21915	WASHER, FLAT, PLASTIC, 9/16 ID X 11/16 OD X 1/16	4
18	22670	ROLL PIN, 1/8 X 3/4	8
19	24012	HANDLE, 3/8 - 16 UNC X 1/2 STUD	4
20	24180	KNOB, TENSION	4
21	52530	ROD, TENSION ADJUSTMENT, 3/8 RD X 12 7/8	1
22	52510	ROD, TENSION ADJUSTMENT, 3/8 RD X 17 3/4	1
23	52350	ROD, COCKING, 1/2 RD X 9 1/4	2
24	24150	KNOB, LOCK	2
25	57440	STUD, 3/8 RD X 2 11/16	2
26	30312	GEAR, PLASTIC, 3/8 ID X 1 1/8 OD X 36 TH	2
27	30310	GEAR, PLASTIC, 3/8 ID X 1 1/2 OD X 5/8	2
28	24290	E-RING, SNAP, 3/8	4
29	21010	NUT, HEX, 1/4 - 20 UNC	4
30	22120	SET SCREW, 1/4 - 20 UNC X 1/2	4
31	22030	SCREW, MACH, FLAT HEAD, 1/4 - 20 UNC X 1	8
32	40730	CUSHION PAD	2
33	50720	BUSHING, 3/8 ID X 1/2 OD X 1/2	2
34	22845	BUSHING, BALL BEARING, 3/4 ID X 1 5/8	2
35	21820	WASHER, LOCK, 3/8 ID	2
36	22685	ROLL PIN, 3/16 X 1	2
37	20320	BOLT, HEX HEAD, 3/8 - 16 UNC X 3/4	4
38	22810	BEARING, 3/8 ID X 13/16 OD	4
39	37928	SPACER, 3/8 ID X 1/2 OD X 3/16	4
40	57342	REINFORCEMENT PLATE, 5/16 X 2 X 4	1
41	20253	BOLT, HEX HEAD, 5/16 - 18 UNC X 2 1/4	3
42	20332	BOLT, HEX HEAD, 3/8 - 16 NC X 1	2
43	57450	EYE-ROD ASS'Y, 9/16 RD X 6 9/16	1
44	54082	BLOCK, DROP CHEST, 3/4 X 1 X 3 5/8	1
45	56203	BRACKET, SUPPORT YOKE, DROP CHEST	1
46	51230	ROD, ADJUSTMENT, DROP BLOCK, 1/2 X 11 1/4	1
47	30870	SPRING, TORSION COIL, 19 GA	1
48	24020	HANDLE, BLACK	2
49	22050	SCREW, MACH, RD HEAD, 1/4 - 20 NC X 2 1/2	2
50	20332	BOLT, HEX HEAD, 3/8 - 16 NC X 1	2
51	24286	SNAP RING, 9/16"	1
52	22660	ROLL PIN, 1/8 X 5/8	1
53	51920	PIN, EYE-ROD, CHEST - LUMBAR, 1/2 RD X 2 3/8	1
54	57319	BRACKET ASS'Y, ATTACHMENT, CHEST-LUMBAR	1
55	20258	BOLT, HEX HEAD, 5/16 - 18 NC X 2 1/2	3
56	22640	COTTER PIN, 3/32 X 1	2

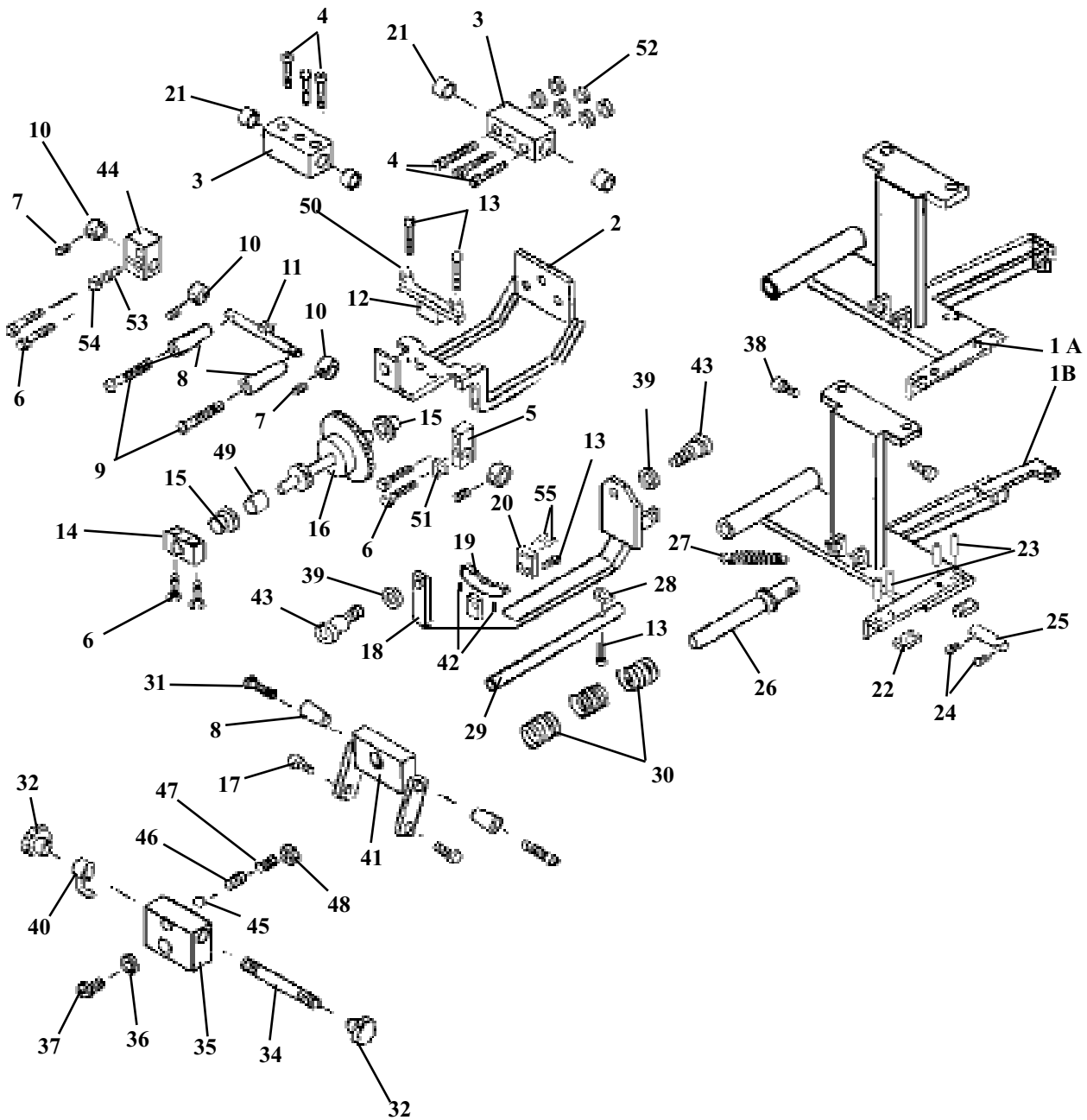
# DROP CHEST ASS'Y FULL CUSHION



# DROP CHEST ASSEMBLY FULL CUSHION

ITEM	PART NO.	DESCRIPTION	QTY.
1	40235	CHEST CUSHION ASSEMBLY	1
2	57428	TEE WEDGE ASSEMBLY, FRONT, NEW DROP	1
3	57429	TEE WEDGE ASSEMBLY, REAR, NEW DROP	1
4	20022	BOLT, HEX HEAD, 1/4 - 20 NC X 1.00	8
5	20332	BOLT, HEX HEAD, 3/8 - 16 NC X 1.00	4
6	57435	BAR, STABILIZER, DROP CHEST, 1/4 X 5/8 X 6 13/16	2
7	21210	NUT, HEX, 3/8 - 16 NC	9
8	52731	ARM, COCKING, 3/4 X 9/16 X 2 5/8	2
9	22260	SET SCREW, 5/16 - 24 NF X 1/4	2
10	22250	SET SCREW, 5/16 - 24 NF X 1/2	2
11	22810	BEARING, ROLLER, 3/8 ID	2
12	20330	BOLT, HEX HEAD, 3/8 - 16 NC X 7/8	8
13	22812	BEARING, ROLLER, 3/8 ID	8
14	21850	WASHER, PLASTIC, 3/8 ID X 1 OD	2
15	22700	BALL, STEEL, 3/8	2
16	30830	SPRING, COMPRESSION, 1/4 ID X 1/2 OD X 2	2
17	22710	BALL, STEEL, 1/2	2
18	22993	COLLAR, SET. 1/2 ID X 1.00 OD	4
19	22670	ROLL PIN, 1/8 X 3/4	4
20	57449	HANDLE, COCKING, NEW DROP	4
21	57447	ROD, TENSION ADJUSTMENT, 3/8 X 17 1/2	1
22	24180	KNOB, TENSION	4
23	24012	HANDLE, GRIP	4
24	24150	KNOB, LOCK	2
25	22160	SET SCREW, 1/4 - 28 NF X 1/4	2
26	57424	DROP CHEST FRAME ASSEMBLY, NEW DROP	1
27	57445	SCREW, TENSION, 3/8 X 3.1	2
28	30312	GEAR, TENSION, PLASTIC, 3/8 ID X 1 1/8 OD X 36 TH	2
29	52350	ROD, COCKING, 1/2 RD X 9	2
30	22673	ROLL PIN, 1/8 X 1	4
31	30310	GEAR, TENSION, PLASTIC, 3/8 ID X 1 1/2 OD X 5/8	2
32	20222	BOLT, HEX HEAD, 3/8 - 16 NC X 1 1/4	2
33	57438	ROD, LOCK	1
34	24290	E-CLIP, 3/8	2
35	57448	ROD, TENSION ADJUSTMENT, NEW DROP, 3/8 X 12 3/4	1
36	22940	COLLAR, 5/8 ID X 1 3/32 OD X 1/2	2
37	30793	SPRING, COMPRESSION, 11/16 ID X 15/16 OD X 3 1/8	2
38	51090	BLOCK, YOKE, 1 X 1 1/2 X 1 11/16, BRKY CHEST	1
39	20197	BOLT, SOCKET HD, 5/16 - 18 NC, SHOU 3/8 X 3/8	2
40	24286	SNAP RING, 9/16	1
41	56190	FORK ASSEMBLY, CHEST	1
42	57346	ROD, SPRING SUPPORT, 5/8 RD X 6 31/32	1
43	21012	NUT, HEX, 1/4 - 20 NC	1
44	22120	SET SCREW, 1/4 - 20 NC X 1/2	1
45	30715	SPRING, COMPRESSION, 3/16 ID X 0.140 OD X 3/8	1
46	22702	BALL, STEEL, 3/16	1
47	57345	PIN, SLIDE, LOCKING ASS'Y, 5/16 X 3	1
48	57344	PIN, LOCKING, 1/4 RD X 2 1/8	1
49	57343	BLOCK, DROP, LOCKING, 1/2 X 1/2 X 1 9/16	1
50	22160	SET SCREW, 1/4 - 28 NF X 1/4	2

# ROTATION CHEST FRAME ASS'Y

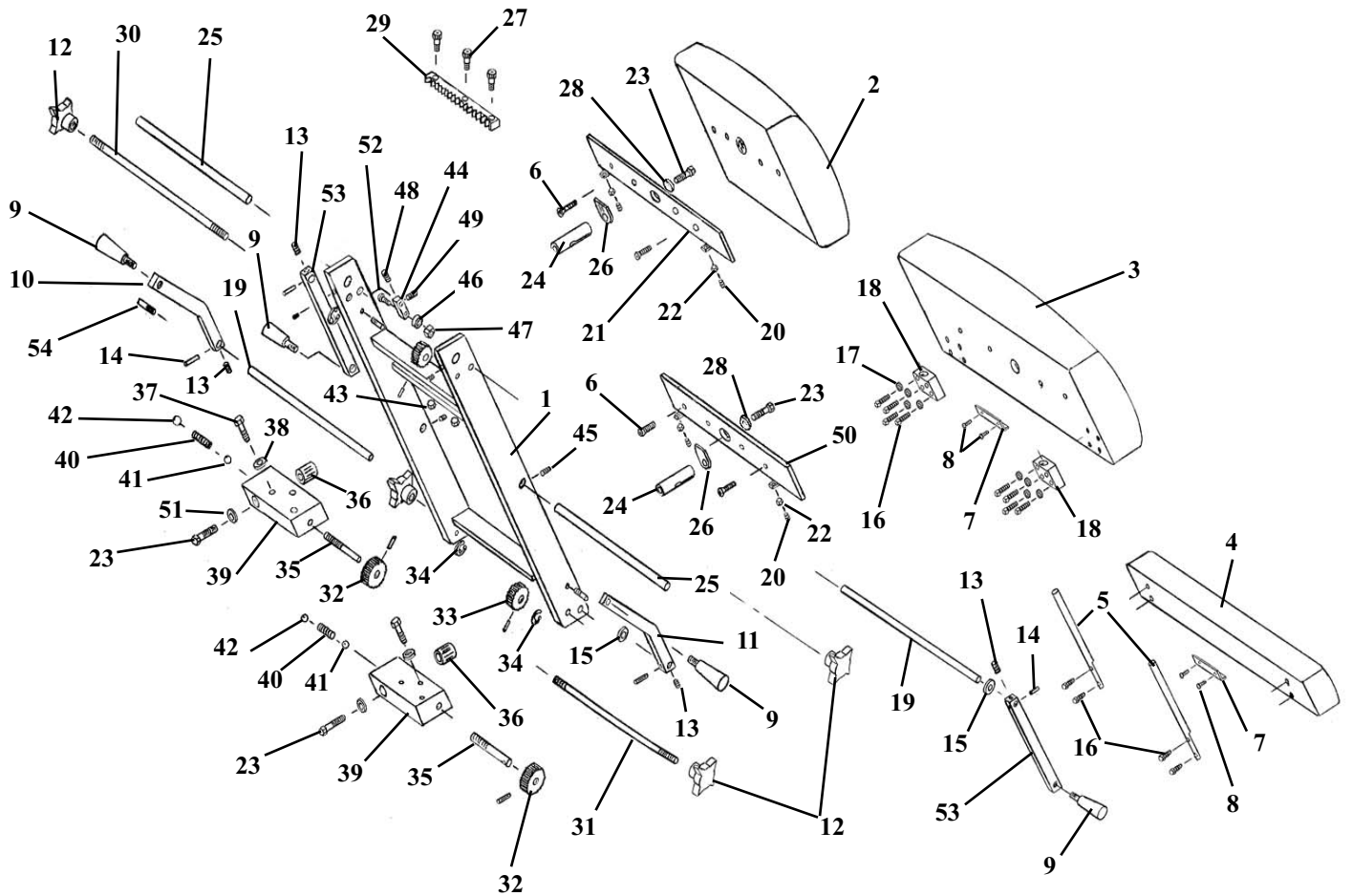


## ROTATION CHEST FRAME ASSEMBLY

ITEM	PART NO.	DESCRIPTION	QTY.
1A	55997	I-FRAME ASS'Y, ROTATION CHEST (ULTIMATE & MCMANIS)	1
1B	55552	I-FRAME ASS'Y, ROTATION CHEST (GALAXY 900 HS & HYLO)	1
2	57303	GEAR TRAIN FRAME ASS'Y, SWIVEL YOKE	1
3	57401	BLOCK, GUIDE, SWIVEL CHEST ASS'Y, 1 1/4 X 1 1/2 X 2 3/4	2
4	20024	BOLT, SOCKET HEAD, 1/4 - 20 NC X 1 1/4	6
5	57394	BLOCK, LOCKING ROD, SWIVEL CHEST, 7/16 X 5/8 X 1 7/16	1
6	20023	BOLT, HEX HEAD, 1/4 - 20 NC X 1 1/4	4
7	22110	SET SCREW, 1/4 - 20 NC X 1/4	4
8	24022	HANDLE	4
9	22033	SCREW, MACH, RD HEAD, 1/4 - 20 NC X 1 1/2	2
10	22912	COLLAR, 3/8 ID	4
11	57333	LOCK ROD ASS'Y, SWIVEL CHEST	1
12	57338	TEE BRACKET ASS'Y, CHEST, TILT FRAME	1
13	20112	BOLT, HEX HEAD, 1/4 - 28 NF X 5/8	4
14	57395	BLOCK, GEAR FRAME MOUNTING, 7/16 X 5/8 X 1 3/4	1
15	22885	BUSHING, 3/8 ID x 1/2 OD x 15/32	2
16	57329	GEAR TRAIN ASS'Y, SWIVEL CHEST	1
17	20197	BOLT, SOCKET HEAD, 5/16 - 18 NC, SHOU 3/8 X 3/8	2
18	57306	YOKE SUPPORT FRAME ASS'Y	1
19	57396	GEAR RACK, 5/16 X 7/16 X 14 TEETH	1
20	57337	GEAR BRACKET ASS'Y, 3/16 X 1 X 1	1
21	22893	BUSHING, GUIDE, 5/8 ID X 1 1/8 SUPER 10	4
22	55944	SHIM, PLASTIC	2
23	22657	ROLL PIN, 1/8 RD X 3/8	4
24	22640	COTTER PIN, 3/32 X 1	2
25	58449	PIN, SUPPORT, 3/8 RD X 1 11/16	1
26	55535	GUIDE ROD ASS'Y	1
27	30759	SPRING, TENSION, 3/8 ID X 7/16 OD X 2 13/16	1
28	57386	SPACER ADJUSTMENT, 1/4 X 3/4 X 7/16	1
29	57387	GUIDE ROD, 7/16 DIA X 5 15/16	1
30	30846	COMPRESSION SPRING, 3/4 ID X 1 7/32 OD	3
31	22035	SCREW, MACH, ROUND HEAD, 1/4 - 20 NC X 1 3/4	2
32	24150	KNOB, LOCK	2
33	22090	SET SCREW, #10 - 32 NF X 3/16	1
34	57302	SCREW, ADJUSTMENT, 5/16 RD X 3 1/2	1
35	51090	YOKE BLOCK, 1 X 1 1/2 X 1 11/16	1
36	21860	WASHER, FLAT, 7/16 ID X 1 OD	1
37	22012	SCREW, MACH, TRUSS HEAD, 1/4 - 20 NC X 1/2	1
38	20205	BOLT, SOCKET HEAD, 5/16 - 18 NC, SHOU 3/8 X 1	2
39	21850	WASHER, FLAT, PLASTIC, 3/8 ID X 1	2
40	50570	LOCK PIN ASS'Y	1
41	57307	BREAKAWAY LOCK BRACKET ASS'Y	1
42	22162	SET SCREW, 1/4 - 28 NF X 5/8	2
43	20199	BOLT, SOCKET HEAD, 5/16 - 18 NC, SHOU 3/8 X 1/2	2
44	57383	LOCK BLOCK, 3/4 X 3/4 X 1 7/16	1
45	22702	BALL, STEEL, 3/16	1
46	30715	SPRING, COMPRESSION, 3/16 ID X 0.140 X 3/8	1
47	22120	SET SCREW, 1/4 - 20 NC X 1/2	1
48	21012	NUT, JAM, 1/4 - 20 NC	1
49	57397	BUSHING, GEAR TRAIN, 3/8 ID X 1/2 OD X 3/8	1
50	21630	WASHER, STAR, 1/4 ID X 1/2 OD	2
51	57415	PLATE, STOP, LOCK HANDLE, SWIVEL CHEST, 1/8 X 1/2 X 3/4	1
52	21620	WASHER, FLAT, 1/4 ID X 9/16 OD	6
53	22232	SET SCREW, 5/16 - 18 NC X 1/2	1
54	21110	NUT, JAM, 5/16 - 18 NC	1
55	22660	ROLL PIN, 1/8 X 5/8 (GROUND OFF TO 1/2 ")	2

# ROTAION CHEST CUSHION ASS'Y

## DROP DORSAL & LUMBAR

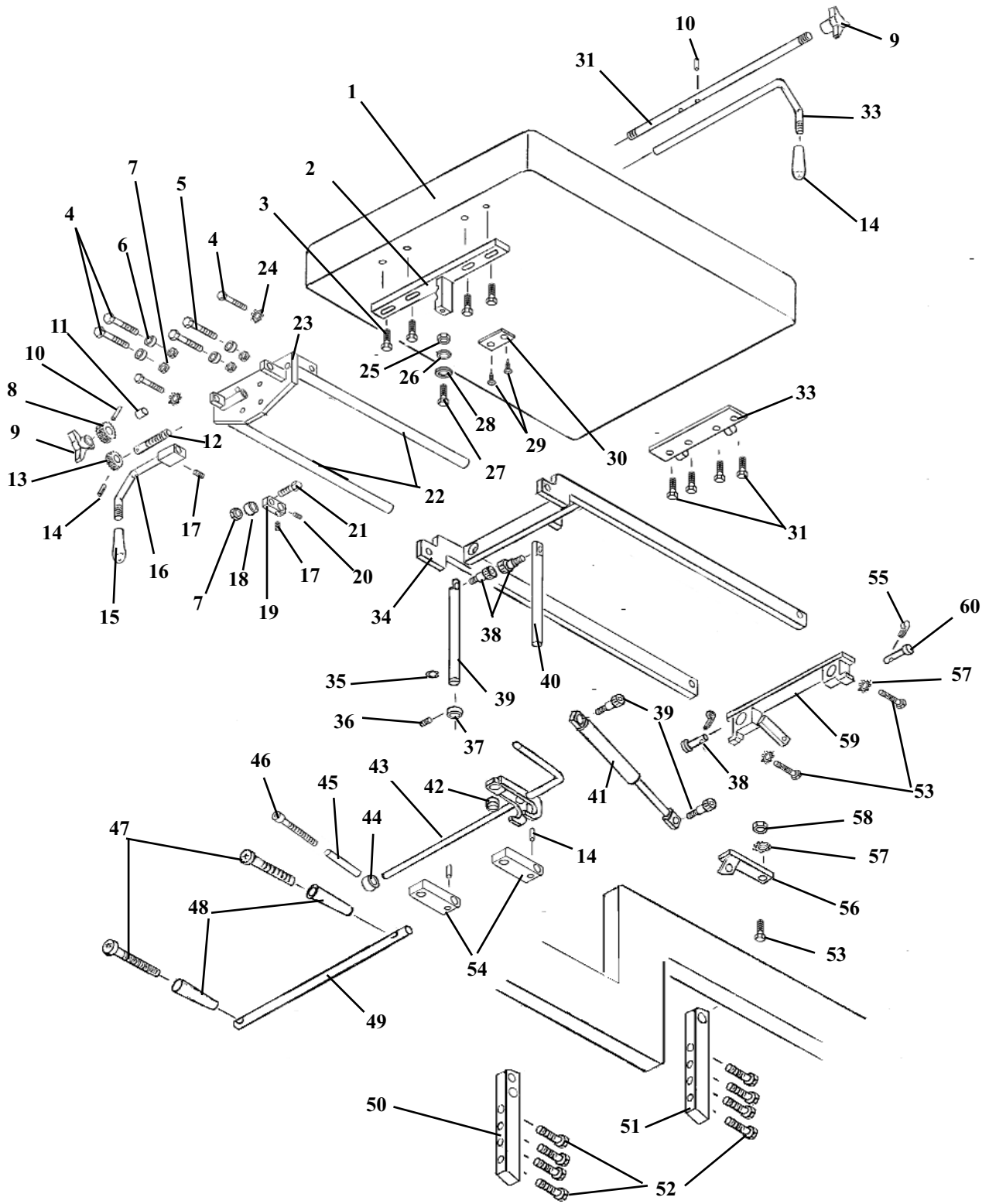


# ROTATION CHEST CUSHION ASSEMBLY

## DROP DORSAL & LUMBAR

ITEM	PART NO.	DESCRIPTION	QTY.
1	57308	FRAME ASS'Y, ROTATION CHEST	1
2	40510	CUSHION, DORSAL	1
3	40530	CUSHION, LUMBAR	1
4	40230	CUSHION, EXTENSION	1
5	57384	TONGUE, EXTENSION, 9/16 RD X 9 3/8	2
6	22030	SCREW, MACH, FLAT HEAD, 1/4 - 20 NC X 1	8
7	56202	GUARD, CUSHION	2
8	22460	SCREW, SHEET METAL, PAN HD, #10 X 1/2	4
9	24015	HANDLE, GRIP	4
10	57416	HANDLE, COCKING (RH)	1
11	57436	HANDLE, COCKING (LH)	1
12	24180	KNOB, TENSION	4
13	22160	SET SCREW, 1/4 - 28 UNF X 1/4	4
14	22670	ROLL PIN, 1/8 X 3/4	8
15	21915	WASHER, FLAT, PLASTIC, 9/16 ID X 11/16 OD	4
16	20023	BOLT, HEX HEAD, 1/4 - 20 NC X 1 1/4	12
17	21630	WASHER, STAR, 1/4 ID X 1/2 OD	8
18	57385	BRACKET, LEAF	2
19	57399	ROD, SUPPORT, COCKING HANDLE	2
20	22120	SET SCREW, 1/4 - 20 UNC X 1/2	1
21	57330	MOUNTING PLATE ASS'Y	1
22	21010	NUT, HEX, 1/4 - 20 UNC	6
23	20321	BOLT, HEX HEAD, 3/8 - 24 UNF X 3/4	4
24	30426	STEEL SHAFT, 3/4 Dia	2
25	57391	ROD, SLIDE, 5/8 RD X 11 3/4	2
26	40730	PAD, CUSHION	2
27	22004	SCREW, MACH, SOCKET HEAD, #10 - 24 NC X 1	3
28	21820	WASHER, STAR, 3/8 X 11/16	2
29	57390	RACK, GEAR, 1/2 X 1/2 X 8 3/16	1
30	57392	ROD, TENSION, 3/8 RD X 13 9/16	1
31	57393	ROD, TENSION, 3/8 RD X 18	1
32	30312	GEAR, PLASTIC, 3/8 ID X 1 1/8 OD	2
33	30310	GEAR, PLASTIC, 3/8 ID X 1 1/2 OD	2
34	24290	E-CLIP	4
35	57440	STUD, CHEST-LUMBAR, 3/8 RD X 2 11/16	2
36	22845	BEARING, BALL, BUSHING, 3/4 ID X 1 5/8	2
37	20253	BOLT, HEX HEAD, 5/16 - 18 UNC X 2 1/4	6
38	21755	WASHER, STAR, 5/16 ID X 0.60 OD	6
39	30420	BLOCK, DROP, (LH)	2
40	30830	SPRING, COMPRESSION, 1/4 ID X 1/2 OD X 2	2
41	22700	BALL, STEEL, 3/8 ID	2
42	22710	BALL, STEEL, 1/2 DIA	2
43	21450	NUT, HEX, #10 - 24 UNC	3
44	52731	ARM, COCKING, 9/16 X 3/4 X 2 5/8	2
45	22090	SET SCREW, #10 - 32 NF X 3/16	4
46	22810	BEARING, BALL, 3/8 ID	2
47	21210	NUT, HEX, 3/8 - 16 NC	2
48	22260	SET SCREW, 5/16 - 24 NF X 1/4	2
49	22250	SET SCREW, 5/16 - 24 NF X 1/2	2
50	57332	PLATE, MOUNTING, CUSHION	2
51	21860	WASHER, FLAT, 7/16 ID X 1 OD	2
52	20332	BOLT, HEX HEAD, 3/8 - 16 NC X 1	2
53	57315	ARM, COCKING, 7/16 X 3/4 X 5 1/2	2
54	22685	ROLL PIN, 3/16 X 1	2

# T-WEDGE DROP PELVIC ASS'Y Z-FRAME

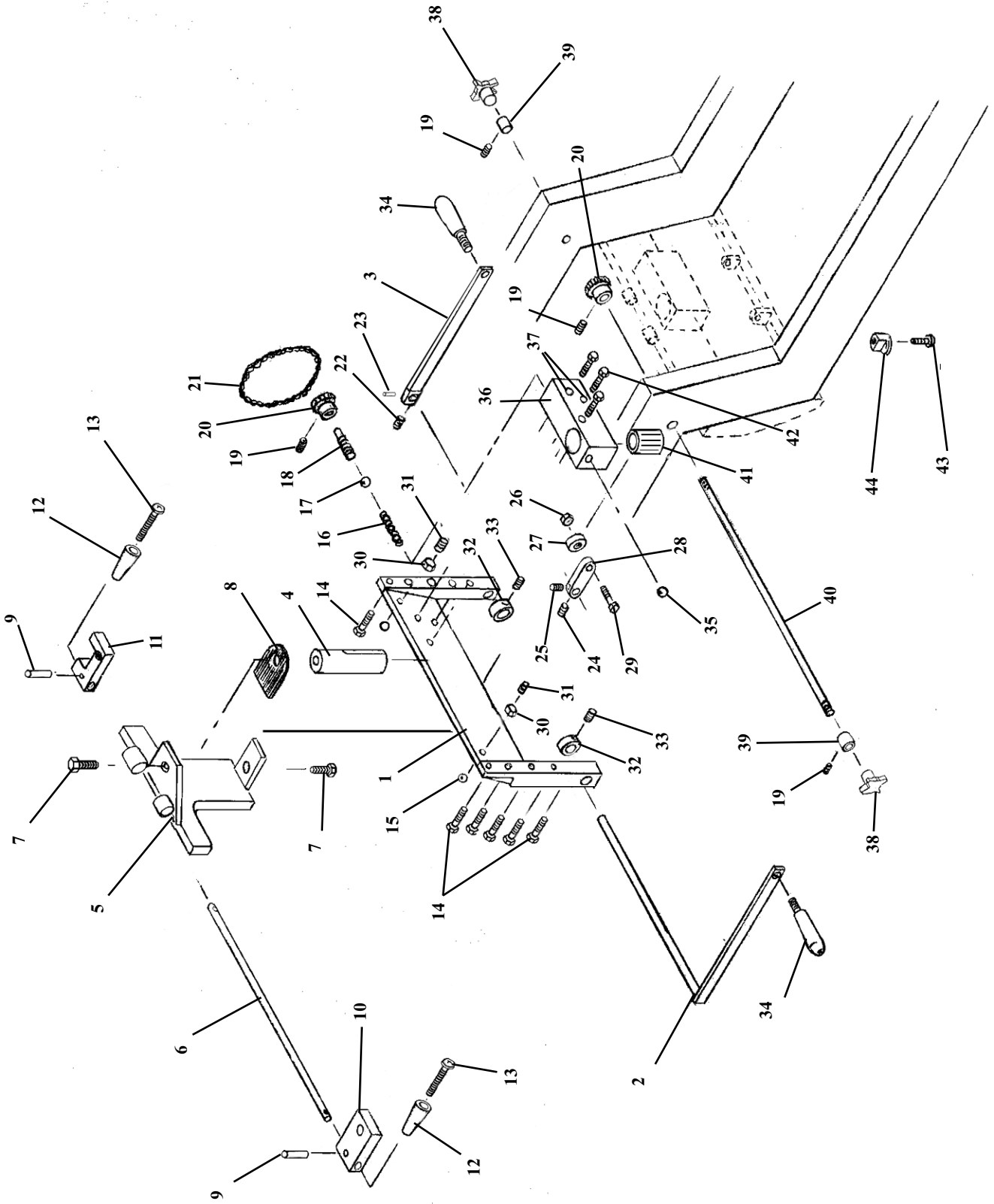




## T-WEDGE DROP PELVIC ASS'Y Z-FRAME

ITEM	PART NO.	DESCRIPTION	QTY.
1	40308	PELVIC CUSHION	1
2	56158	TEE WEDGE ASS'Y	1
3	20023	HEX HD BOLT, 1/4-20UNC X 1 1/4	8
4	20332	HEX HD BOLT, 3/8-16UNC X 1.00	5
5	20360	HEX HD BOLT, 3/8-16UNC X 1 1/2	1
6	22812	BALL BEARING, 3/8ID	4
7	21210	HEX NUT, 3/8-16UNC	5
8	30312	TENSION GEAR	1
9	24180	ADJUSTMENT KNOB	2
10	22670	ROLL PIN, 1/8 X 3/4	1
11	37928	SPACER, 3/8ID X 1/2OD X 3/16	1
12	56332	TENSION STUD	1
13	30311	TENSION GEAR	1
14	22660	ROLL PIN, 1/8 X 5/8	1
15	24010	HANDLE GRIP	2
16	56565	COCKING HANDLE (RH)	1
17	22250	SET SCREW, 5/16-24UNF X 1/2	2
18	22810	BALL BEARING, 3/8ID	1
19	56359	COCKING ARM	1
20	22260	SET SCREW, 5/16-24UNF X 1/4	1
21	20350	HEX HD BOLT, 3/8-16UNC X 1 1/4	1
22	56365	GUIDE RODS	2
23	56361	BEARING PLATE ASS'Y	1
24	21820	STAR WASHER, 3/8ID	2
25	21012	JAM NUT, 1/4-20UNC	1
26	21610	FLAT WASHER, 1/4ID X 1/2OD	1
27	20007	HEX HD BOLT, 1/4-20UNC X 5/8	1
28	21710	FLAT WASHER, 5/16ID X .688OD	1
29	22469	FLAT HD WOOD SCREW, #10 X 7/8	2
30	56493	STRIKER PLATE	1
31	56333	TENSION ROD, 3/8RD X 20 1/2	1
32	56378	COCKING HANDLE	1
33	56375	REAR HINGE	1
34	56338	SLIDE FRAME ASS'Y	1
35	24286	SNAP RING 9/16"	1
36	22110	SET SCREW, 1/4-20UNC X 1/4	1
37	22935	SET COLLAR, 9/16	1
38	20199	SOCKET HD SHLD, BOLT, 5/16-18UNC X 1/2	2
39	57741	EYE-ROD (CLIP)	1
40	57742	EYE-ROD	1
41	30296	PRESSURE CYLINDER, #50	1
42	30784	COMPRESSION SPRING	1
43	56503	LOCK HANDLE ASS'Y	1
44	22922	SET COLLAR, 5/16	1
45	50784	SLEEVE	1
46	20056	SOCKET HD BOLT, 1/4-20UNC X 2 1/2	1
47	22050	RD HD MACHINE SCREW, 1/4-20UNC X 2 1/2	2
48	24020	HANDLE GRIP	2
49	51430	ADJUSTMENT ROD, 1/2 X 13 3/16	1
50	56499	SUPPORT BAR (RH)	1
51	56498	SUPPORT BAR (LH)	1
52	20123	HEX HD BOLT, 1/4-28UNF X 1 1/4	8
53	20022	HEX HD BOLT, 1/4-20UNC X 1	3
54	51390	ADJUSTMENT BLOCK	2
55	22639	COTTER PIN, 3/32 X 1/2	2
56	56569	EXT ARM ASS'Y	1
57	21630	STAR WASHER, 1/4 ID	3
58	21010	HEX NUT 1/4-20UNC	1
59	56339	REAR GUIDE BRACKET ASS'Y	1
60	22690	CLEVES PIN, 3/8RD X 3/4	2

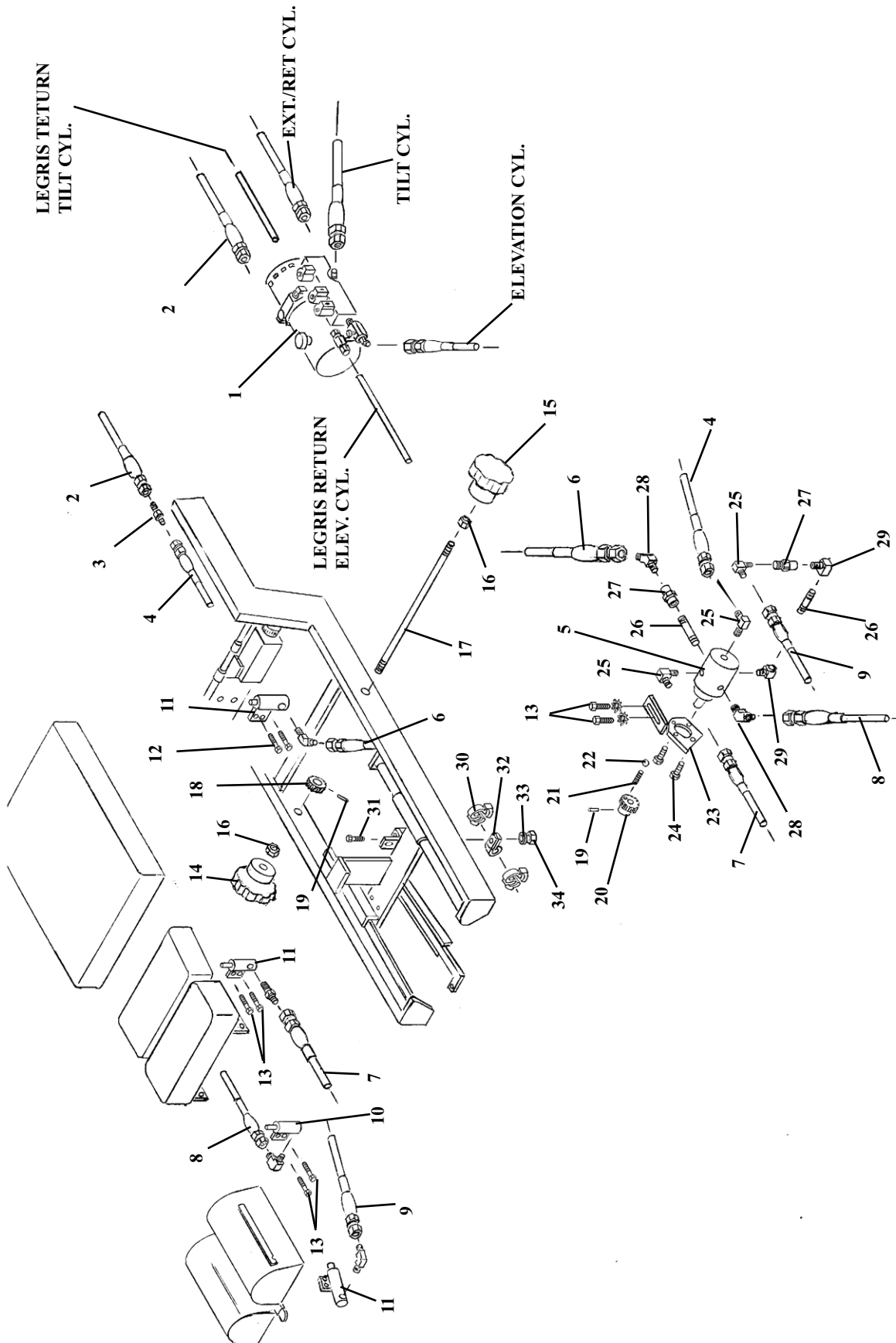
# DROP PELVIC ASS'Y GALAXY 900 HS



# DROP PELVIC ASSEMBLY GALAXY 900 HS

ITEM	PART NO.	DESCRIPTION	QTY.
1	57610	INSIDE FRAME ASSEMBLY, DROP PELVIC	1
2	57650	COCKING ARM ASSEMBLY (LH) - W/ROD	1
3	57630	COCKING ARM ASSEMBLY (RH) - W/O ROD	1
4	30425	PISTON, STEEL, DROP PELVIC	1
5	57669	OUTSIDE FRAME ASSEMBLY, DROP PELVIC	1
6	51430	ROD, PELVIC ADJUSTMENT, 1/2 RD X 13 3/16	1
7	20321	BOLT, HEX HEAD, 3/8 - 24 NF X 3/4	2
8	40730	PAD, CUSHION	1
9	22670	ROLL PIN, 1/8 X 3/4	2
10	51390	BLOCK, HEIGHT ADJUSTMENT, 3/4 X 1 1/2 X 3 1/4	1
11	52770	BLOCK, DROP, MILLED, 3/4 X 1 1/2 X 3 1/4	1
12	24020	HANDLE, BLACK	2
13	22050	SCREW, MACHINE, RD HEAD, 1/4 - 20 NC X 2 1/2	2
14	20120	BOLT, HEX HEAD, 1/4 - 28 NF X 1	8
15	22702	BALL, STEEL. 3/16	2
16	30830	SPRING, COMPRESSION, 1/4 ID X 1/2 OD X 2	1
17	22700	BALL, STEEL, 3/8 DIA	1
18	52690	SCREW, WORM (RH THREAD), 3/8 - 16 NC X 1 5/8	1
19	22090	SET SCREW, #10 - 32 NF X 3/16	4
20	52740	SPROCKET, #9	2
21	24210	CHAIN, #25 (14 LINKS)	1
22	22260	SET SCREW, 5/16 - 24 NC X 1/4	1
23	22676	ROLL PIN, SHEARPROOF, 5/32 X 1 (CUT OFF TO 3/4")	1
24	22250	SET SCREW, 5/16 - 24 NF X 1/2	1
25	22260	SET SCREW, 5/16 - 24 NF X 1/4	1
26	21210	NUT, HEX, 3/8 - 16 NC	1
27	22810	BEARING, BALL, 3/8 ID	1
28	52731	ARM, COCKING, 9/16 X 3/4 X 2 5/8	1
29	20332	BOLT, HEX HEAD, 3/8 - 16 NC X1	1
30	21450	NUT, HEX, #10 - 24 NC	2
31	22095	SET SCREW, #10 - 24 NC X 1/2	2
32	22913	COLLAR, SET, 1/2"	2
33	22110	SET SCREW, 1/4 - 20 NC X 1/4	2
34	24012	HANDLE, GRIP, 3/8 - 16 NC X 7/16 STUD	2
35	22710	BALL, STEEL, 1/2	1
36	30421	BLOCK, DROP (RH)	1
37	21755	WASHER, STAR, 5/16 ID X 0.60 OD	3
38	24170	KNOB, TENSION, 1/4 - 20 NC INSERT	2
39	22910	COLLAR, 1/4 ID X 1/2 OD X 9/32	2
40	52710	ROD, TENSION ADJUSTMENT, 1/4 X 18 1/2	1
41	22845	BUSHING, BEARING, BALL, 3/4 ID X 1 5/8	1
42	20250	BOLT, HEX HEAD, 5/16 - 18 NC X 2	3
43	22004	SCREW, MACHINE, SOCKET HD, #10 - 24 NC X 1	1
44	52212	STOP, COCKING HANDLE, 7/8 RD X 1/2	1

# HYDRAULICS - AUTO DROPS CERVICAL, DORSAL, LUMBAR & PELVIC



# HYDRAULICS - AUTO DROPS

## CERVICAL, DORSAL, LUMBAR & PELVIC

ITEM	PART NO.	DESCRIPTION	QTY.
1	623580	PUMP & MOTOR, AUTO DROP	1
2	45391	HOSE, HYDRAULIC, 3/16 X 78 1/2 (MOTOR To JOINT)	1
3	23047	COUPLER, MALE, 1/4 JIC To 1/4 JIC	1
4	45294	HOSE, HYDRAULIC, 3/16 X 24 1/2 (JOINT To SELECTOR VALVE)	1
5	31010	VALVE, SELECTOR	1
6	45212	HOSE, HYDRAULIC, 3/6 X 9 (SELECTOR VALVE To PELVIC)	1
7	45298	HOSE, HYDRAULIC, 3/16 X 27 3/4 (SELECTOR VALVE To LUMBAR)	1
8	45295	HOSE, HYDRAULIC, 3/16 X 26 3/4 (SELECTOR VALVE To DORSAL)	1
9	45353	HOSE, HYDRAULIC, 3/16 X 48 1/2 (SELECTOR VALVE To CERVICAL)	1
10	625010	COCKING CYLINDER, 3/4" RD W/SIDE PORT & FITTINGS	1
11	625020	COCKING CYLINDER, 3/4" RD W/FRONT PORT & FITTINGS	3
12	20007	BOLT, HEX HEAD, 1/4 - 20 X 5/8	2
13	20112	BOLT, HEX HEAD, 1/4 - 28 NF X 5/8	6
14	30000	KNOB, SELECTOR, AUTO DROP (RH)	1
15	30001	KNOB, SELECTOR, AUTO DROP (LH)	1
16	21210	NUT, HEX, 3/8 - 16 NC	2
17	55134	ROD, ADJUSTMENT, 3/8 RD X 12 7/8	1
18	30310	GEAR, PLASTIC, 3/8 ID X 1 1/2 OD X 5/8, 48 TOOTH	1
19	22670	ROLL PIN, 1/8 X 3/4	2
20	30309	GEAR, PLASTIC, 3/8 ID X 1 1/2 OD X 1, 48 TOOTH	1
21	30721	SPRING, COMPRESSION, 0.175 ID X 23/64 OD X 1 1/8	2
22	22701	STEEL BALL, 1/4"	2
23	58445	BRACKET ASS'Y, SELECTOR VALVE	1
24	20000	BOLT, HEX HEAD, #10 - 32 NF X 1/2	4
25	23110	FITTING, 90 DEG, 1/8 MALE To JIC	3
26	23320	NIPPLE, PIPE, 1/8 X 1 1/2	2
27	23020	COUPLER, FEMALE, 1/8	2
28	23090	FITTING, 45 DEG, 1/8 To JIC	2
29	23130	FITTING, 90 DEG, 1/8 MALE To FEMALE	2
30	22907	CLAMP, HOSE, 0.413 / 0.500	2
31	20022	BOLT, HEX HEAD, 1/4 - 20 NC X 1	1
32	24279	P - CLAMP, 7/16"	1
33	21620	WASHER, FLAT, 1/4 ID	1
34	21010	NUT, HEX, 1/4 -20 NC	1

### # 623580 - GALAXY 900 HS AUTO, NEW-BLOCK PUMP, MOTOR & BLOCK ASSEMBLY

# 30495 - PUMP & MOTOR, 115 VOLT, 2002	# 23564 - BLOCK, MANIFOLD
# 23568 - VALVE, POPPET, NC (RELEASE)	# 36012 - COIL, 24V, SINGLE STUD (5 EACH)
# 23571 - VALVE, DOUBLE POPPET (SHORT FIX-ALL) (3 EACH)	# 23518 - VALVE, 4-WAY, 2-POS W/CROSSOVER CTR
# 23130 - FITTING, 90 DEG, 1/8" MALE - FEMALE	# 23132 - FITTING, 90 DEG, 1/8" FEMALE - FEMALE
# 23322 - NIPPLE, PIPE, 1/8" X 2"	# 23020 - COUPLER, FEMALE, 1/8"
# 23219 - FITTING, TEE, 1/8" X 1/4" COMPRESSION	# 23310 - NIPPLE, PIPE, 1/4" CLOSE
# 23085 - FITTING, STRAIGHT, SAE 1/8" PIPE	# 23577 - VALVE, FLOW, DIRECTIONAL
# 23090 - FITTING, 45 DEG, 1/8" To JIC	# 23155 - FITTING, 90 DEG, MORB # 4 To JIC
# 23112 - FITTING, 90 DEG, 1/8 FEMALE To JIC	# 23336 - NIPPLE, PIPE, 1/8" X 5" (2 EACH)

### # 623690 - SELECTOR VALVE ASSEMBLY - See Schematic

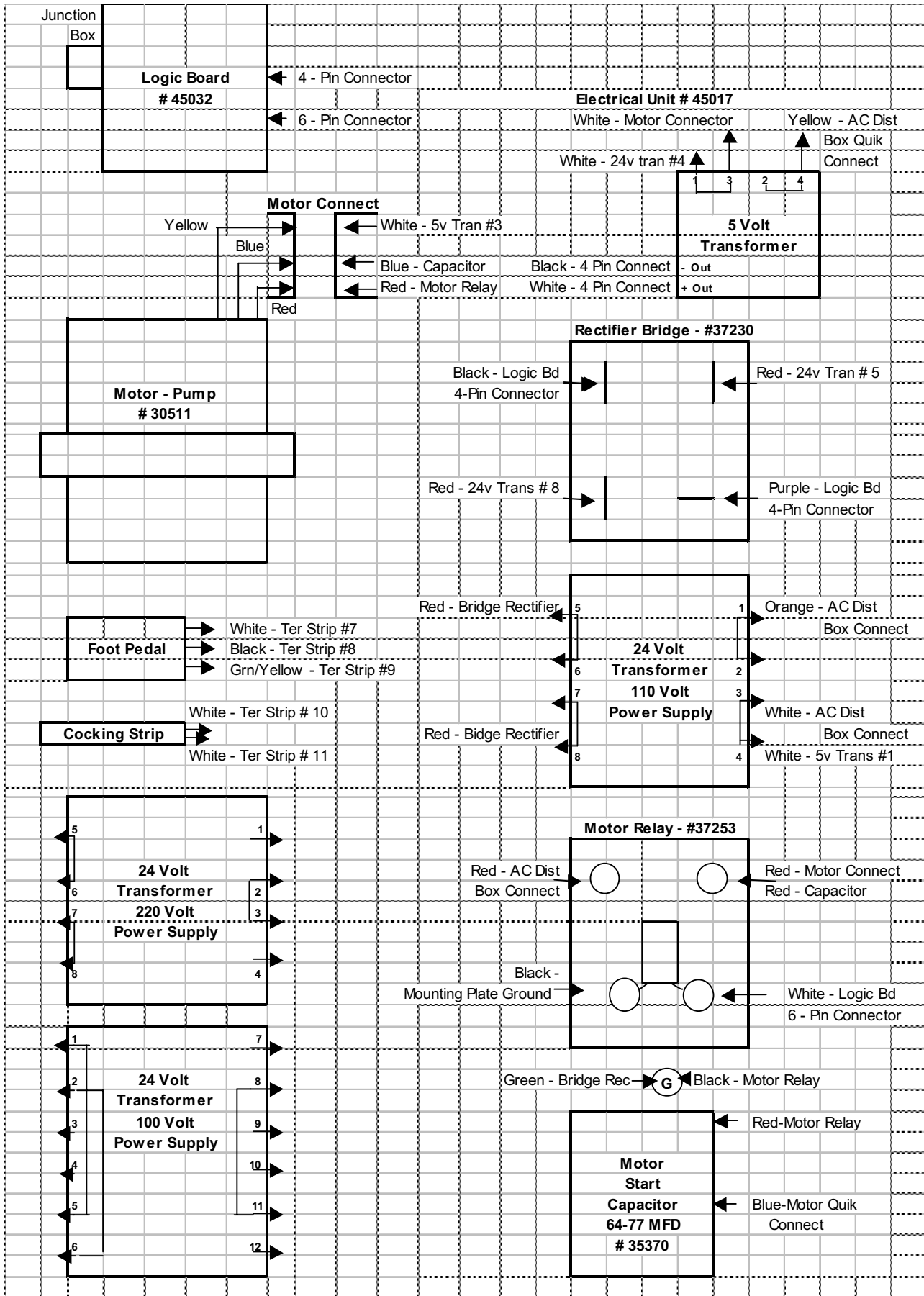
### # 625010 - COCKING CYLINDER, 3/4" RD W/SIDE PORT & FITTINGS

# 30532 - CYLINDER, COCKING, 3/4" RD W/SIDE PORT	# 23110 - FITTING, 90 DEG, 1/8" To JIC (DORSAL)
--	---

### # 625020 - COCKING CYLINDER, 3/4" RD W/FRONT PORT & FITTINGS

# 30535 - CYLINDER, COCKING, 3/4" RD W/FRONT PORT	# 23110 - FITTING, 90 DEG, 1/8" To JIC (CERVICAL)
	or # 23090 - FITTING, 45 DEG, 1/8" To JIC (PELVIC)
	or # 23040 - COUPLER, MALE, 1/8" To JIC (LUMBAR)

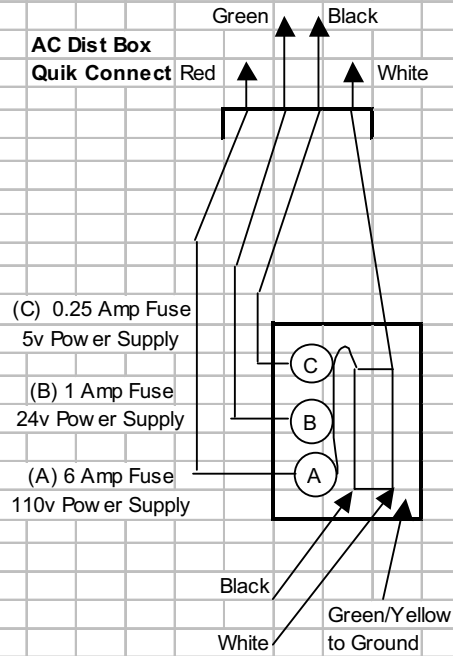
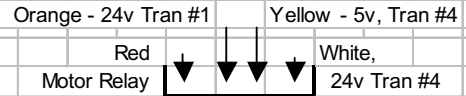
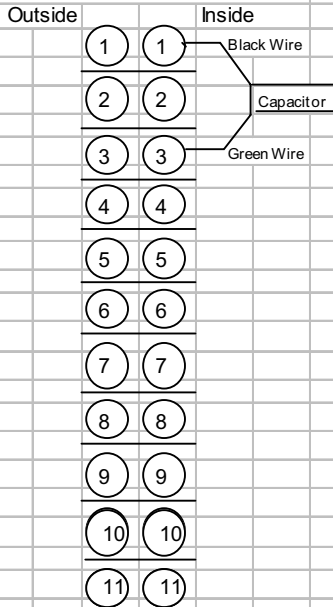
# GALAXY 900 HS WIRING



# GALAXY 900 HS WIRING

## Terminal Strip (# 38360)

See Legend Below



### Terminal Strip Key

	Outside	Inside
1	Black - Potentiometer	Black - Logic Board Black - Jumper to TS #4
2	Red - Potentiometer	Red - Logic Board
3	Green - Potentiometer	Green - Logic Board
4	Black - Green Strip	Black - Jumper from TS #1 Black - Jumper to TS #8
5	Red - Green Strip	Brown - Logic Board
6	Green - Green Strip	Blue - Logic Board
7	White - Foot Pedal White - Foot Pedal	Yellow - Logic Board
8	Black - Foot Pedal Black - Foot Pedal	Black - Jumper from TS #4 Black - Jumper to TS #10
9	Grn/Yellow - Foot Pedal Grn/Yellow - Foot Pedal	White - Logic Board
10	White - Cocking Strip	Black - Jumper from TS #8
11	White - Cocking Strip	Orange - Logic Board

### 4 - Pin Logic Board Connector & Harness

5 Volt (-)	Black	Black - 5v Trans #4
5 Volt (+)	White	White - 5v Tran (+) Out
24 Volt (-)	Green (Dark/Light)	Black - Bridge Rec
24 Volt (+)	Red	Purple - Bridge Rec

The Dark Green wire is ground to the Mounting Plate.

### 6 - Pin Logic Board Connector & Harness

Elev	Blue - Elev Valve on Block
Tilt	Orange - Tilt Valve on Block
Release	Green - Release Valve on Blk
Ext/Ret	Brown - Ext/Ret Valve on Blk
Drops	Red - Drop Valves on Block
Motor	White - Motor Relay

#45171 - Cable Assembly, Valve - Power Supply w/Drops (4 - Pin & 6 - Pin Detailed above)

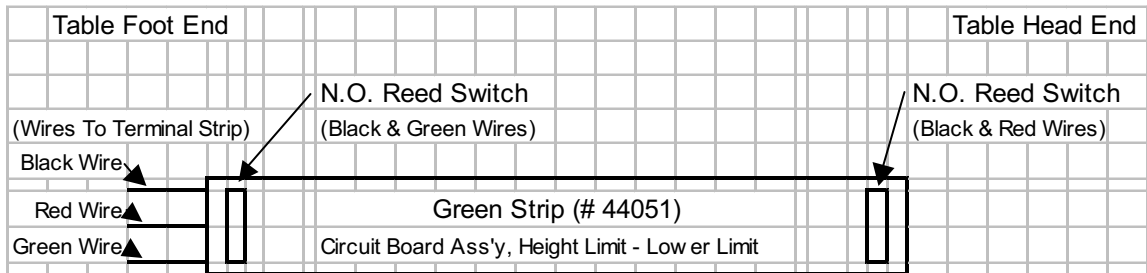
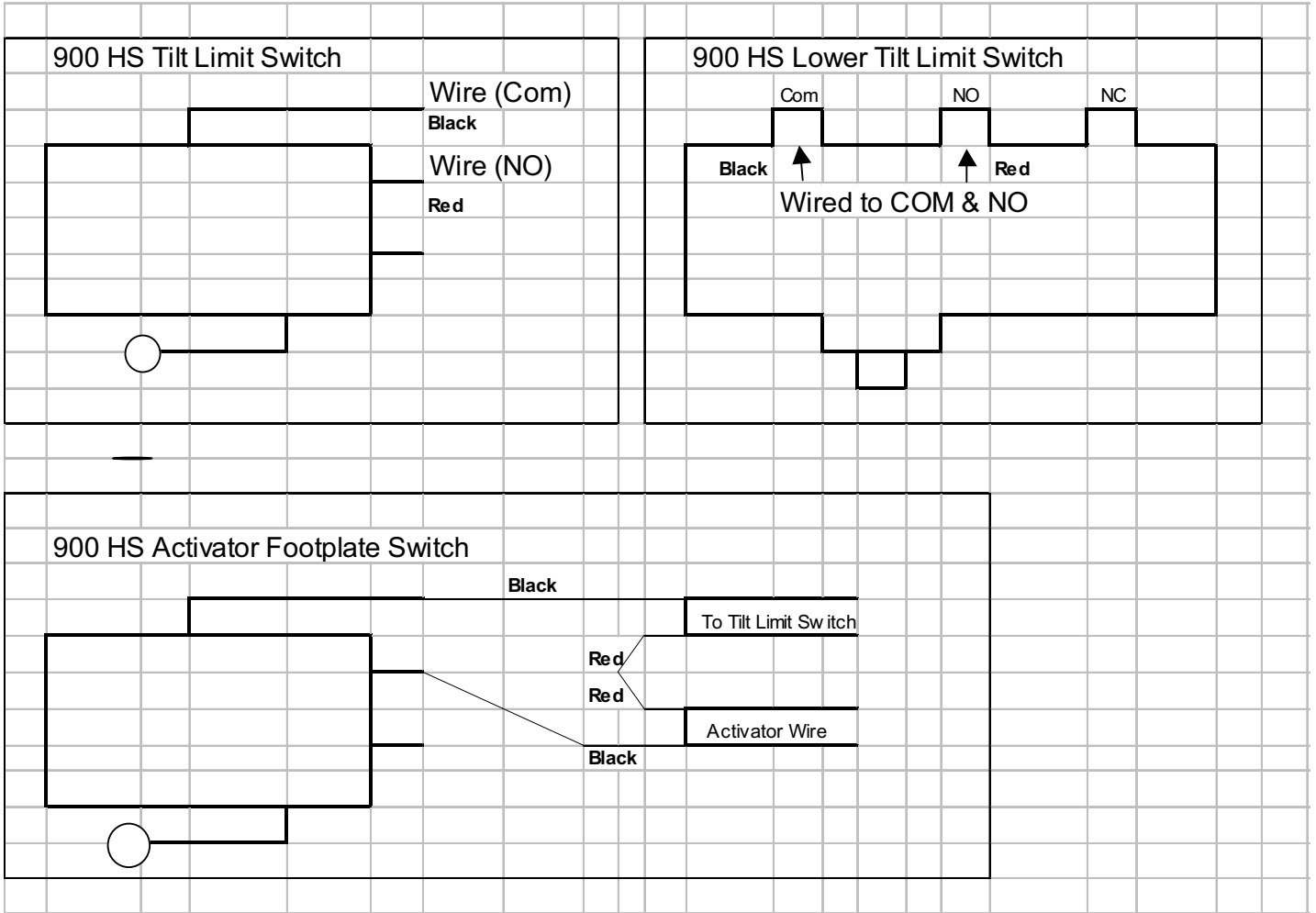
#45070 - Wire Harness Assembly, 900 HS

This includes the plug at the Logic Board, the wires going to the Terminal Strip, to the Height Select Panel, and the wires ending inside the "Z" frame.

To the wires ending inside the "Z" Frame are spliced the following:

- # 44045 - Switch Assembly, Tilt Down Activate
- # 45175 - Cable Assembly, Extension Switch
- # 45172 - Cable Assembly, Upper Sequence Switch
- # 45179 - Cable Assembly, Tilt Limit switch

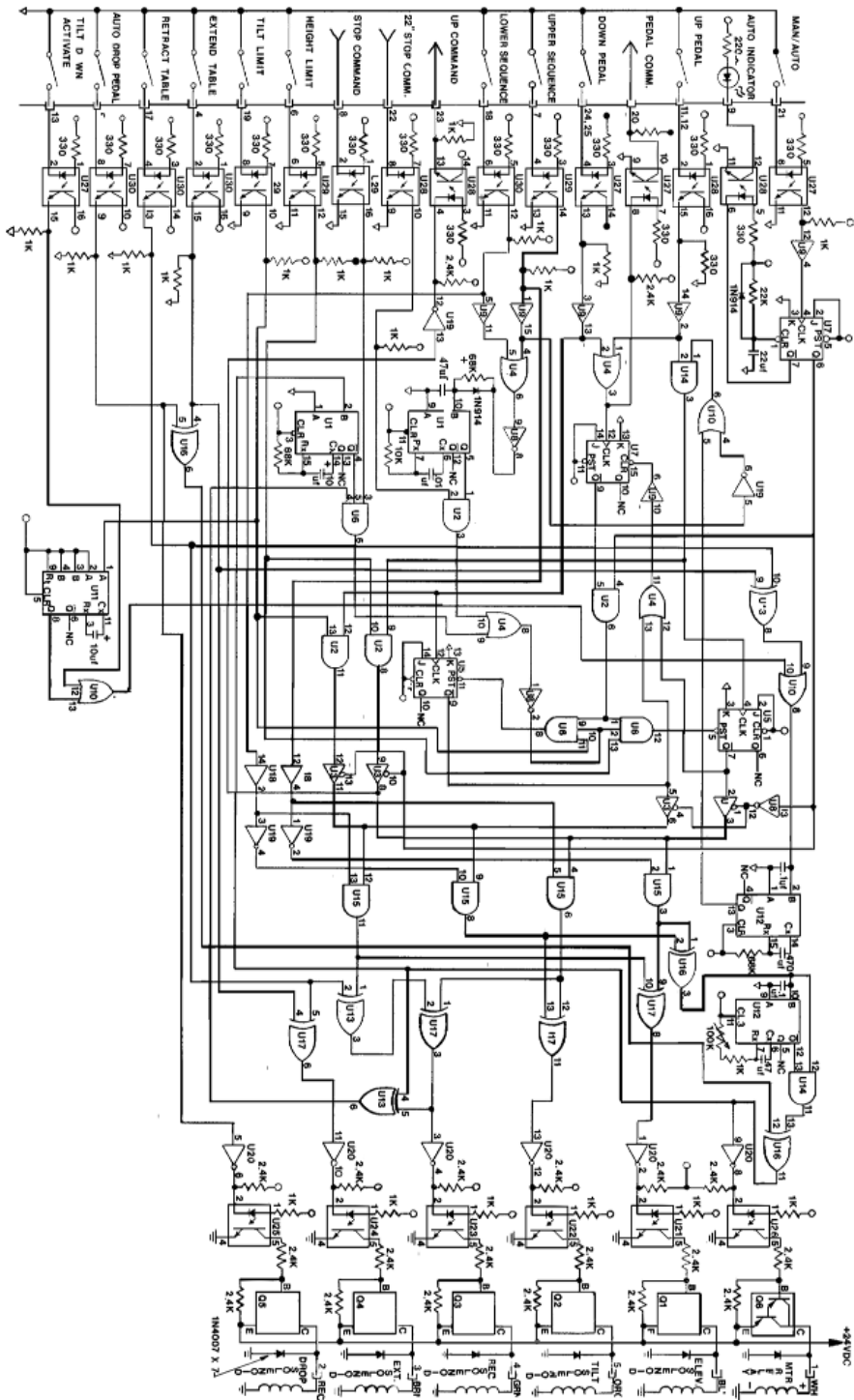
# GALAXY 900 LIMIT SWITCHES



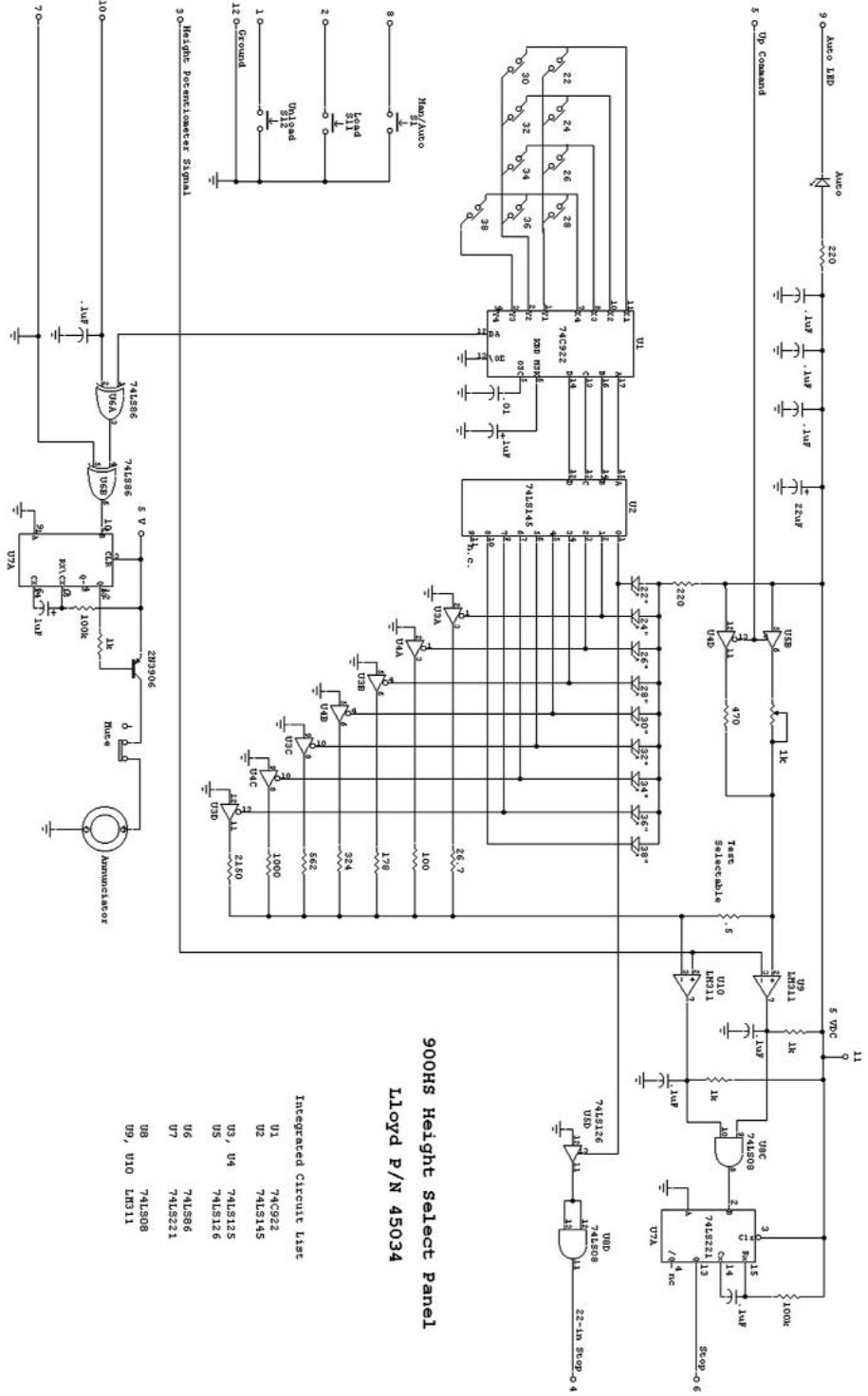
The Black, Red and Green wires on the Green Strip go to the Terminal Strip. The Reed Switches are activated when the Potentiometer magnet comes in proximity. The Reed Switch at the Head End of the Green Strip signals the Logic Board when the table is all the way down from elevation and must stay activated for the table to tilt. The Reed Switch at the Foot End of the Green Strip stops the table when it's all the way up in elevation. If the table begins to tilt before it's down from elevation it means that the Reed Switch at the Head End has probably failed. To check, disconnect the Green Strip Red and Green wires at the Terminal Strip and see if the table comes down from elevation. To get the table back down from Tilt open the Black Knobed Valve at the base of the Tilt Cylinder.



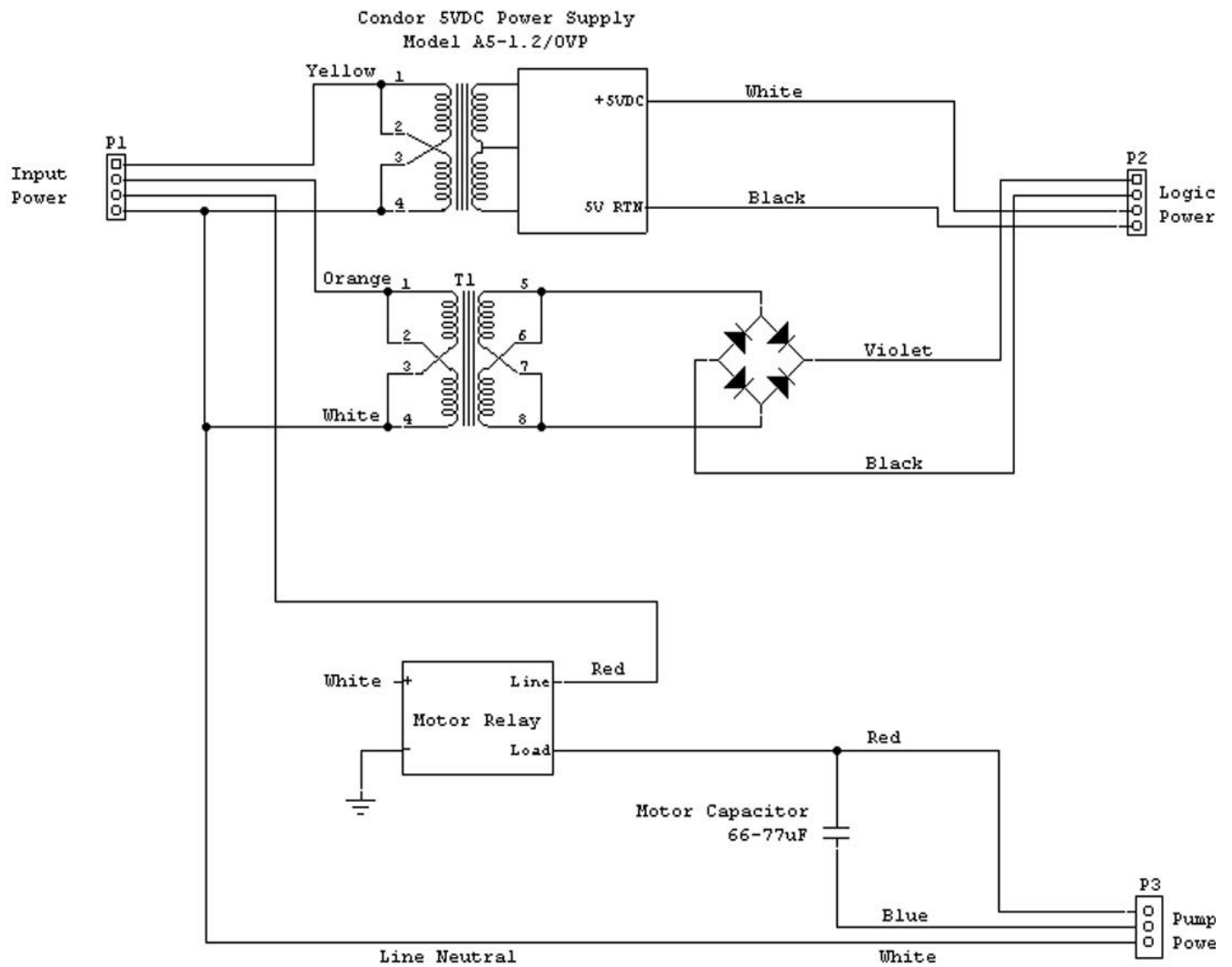
# CONTROL LOGIC BOARD



# HEIGHT SELECT PANEL



# 900HS ELECTRICAL



- NOTES:
1. Motor relay + is connected to white motor control wire.
  2. Motor relay is mounted using heat sink compound.
  3. Motor relay is Magmcraft type 7082-06-C-12-S.
  4. Motor capacitor is Mallory type PSU6430.
  5. T1 is Stancor type P-8618.

Galaxy 900HS Electrical Unit Schematic Drawing  
Lloyd P/N 45017

# 900HS HARNESS WIRING SCHEMATIC

- NOTES: 1. TABLE IS IN THE HORIZONTAL MODE, FULLY ELEVATED  
 2. LOWER SEQUENCE AND HEIGHT LIMIT ARE  
 MAGNETIC REED SWITCHES HAMLIN MTRR2-185.  
 3. TILT LIMIT IS A MINATURE SNAP ACTION SWITCH.  
 4. UPPER SEQUENCE IS A PLUNGER TYPE SWITCH.  
 5. SPLICE.

