

SECTION 8—PARTS LISTS

Headpiece Parts

ITEM NO	PART NO	DESCRIPTION	QTY
1	100-056-08	Paper Roll Assembly *	1
2	100-056-07	Paper Roll Assembly **	1
2A	100-409-00	Bar, Paper Cutoff Assembly *	1
2B	100-409-01	Bar, Paper Cutoff Assembly **	1
2C	262-009-00	Knob	1
2D	S40-010-06	Screw, #10-32 x 3/8 Slotted, Flat Head	1
3	S44-009-16	Screw, #9 x 1 Phillips Flat Head	3
4	S48-009-16	Screw, #9-1 Phillips Flat Head	1
5	100-410-00	Cushion, Face R.H. *	1
6	100-410-02	Cushion, Face R.H. **	1
7	100-410-01	Cushion, Face L.H. *	1
8	100-410-03	Cushion, Face L.H. **	1
9	310-450-00	Spacer, Paper Cutoff	1
10	310-601-02	Rod, Paper Feed *	3
11	310-601-01	Rod, Paper Feed **	1
12	310-602-00	Bracket, Paper Roll	2
13	310-686-03	Tube, Paper Rod *	1
14	310-686-02	Tube, Paper Rod **	1
15	280-292-00	Bracket, Paper Rod *	1
16	280-293-00	Bracket, Paper Rod **	2
17	280-294-00	Bracket, Mtg. Upper	1
18	280-295-00	Cross Brace *	1
19	280-295-01	Bracket, Cushion Mtg. R.H. *	1
20	280-295-01	Bracket, Cushion Mtg. L.H. *	1
21	310-749-00	Bracket, Mtg. Lower	1
22	100-413-02	Cushion Abdominal Ext. **	1
23	280-281-00	Ext. Thoracic R.H. **	2
24	280-281-01	Ext. Thoracic L.H. **	1
25	280-098-00	Brace, Ext. Bracket **	1
26	280-282-00	Bracket, Headpiece Mtg. **	1
27	282-051-00	Head Frame Assembly **	1
28	282-052-00	Bracket, Headpiece Assembly **	1
29	310-745-00	Shaft, Headpiece Pivot	1
30	100-260-02	Tilt Outer Tube Assembly **	2
31	233-057-00	Tilt Lever Spring **	1
32	233-058-00	Tilt Shock Spring **	1
33	280-103-01	Clevis **	1
34	280-191-01	Pivot Lever **	1
35	S16-312-16	Screw, 3/8 - 16 x 1 Hex Head	2
36	282-054-00	Tilt Release Lever Assembly **	1
37	310-386-00	Clevis Pin 1/4 x 1	1
38	310-386-01	Clevis Pin 1-1/4 x 1-5/32 **	1
39	310-482-01	Inner Tube Pelvic Adj. **	1
40	310-759-00	Tilt Lever Extension **	1
41	310-760-00	Shock Spring Pusher **	1
42	N03-375-00	Nut, Elastic Stop 3/8-16	2
43	N03-250-00	Nut, Elastic Stop 1/4-20 **	3
44	P01-093-04	Pin, Cotter 3/32 x 1/2 **	3
45	S16-250-12	Screw, 1/4-20 x 3/4 Hex Head **	1
46	S16-250-20	Screw, 1/2-20 x 1 1/4 Hex Head **	2
47	N01-312-00	Nut, 5/16-18 Hex *	2
48	N02-312-00	Nut, 5/16-18 Hex Jam *	2
49	N04-312-00	Nut, 5/16-18 Acorn Steel PLTD Short	2
50	S16-250-14	Screw, 1/4-20 x 7/8 Hex Head	4
51	S16-312-10	Screw, 5/16-18 x 5/8 Hex Head *	2
52	S16-312-16	Screw, 5/16-18 x 1 Hex Head *	2
53	S18-250-08	Screw, 1/4-20 x 1/2 Soc. Button Head *	6
54	S18-375-08	Screw, 3/8-16 x 1/2 Soc. Button Head *	1
55	S23-010-14	Screw, #10-24 x 7/8 SEMS *	10
56	310-743-00	Outtrigger, Armrest	1
57	310-744-00	Bracket, Armrest	2
58	100-436-01	Armrest Assembly	2
59	310-066-01	Clevis, Pin 1/4 x 1 1/2	1
60	282-021-01	Frame Assembly 90	1
61	100-477-01	Frame Assembly 95	1

* Fixed Headpiece Only
 ** Tilting Headpiece Only

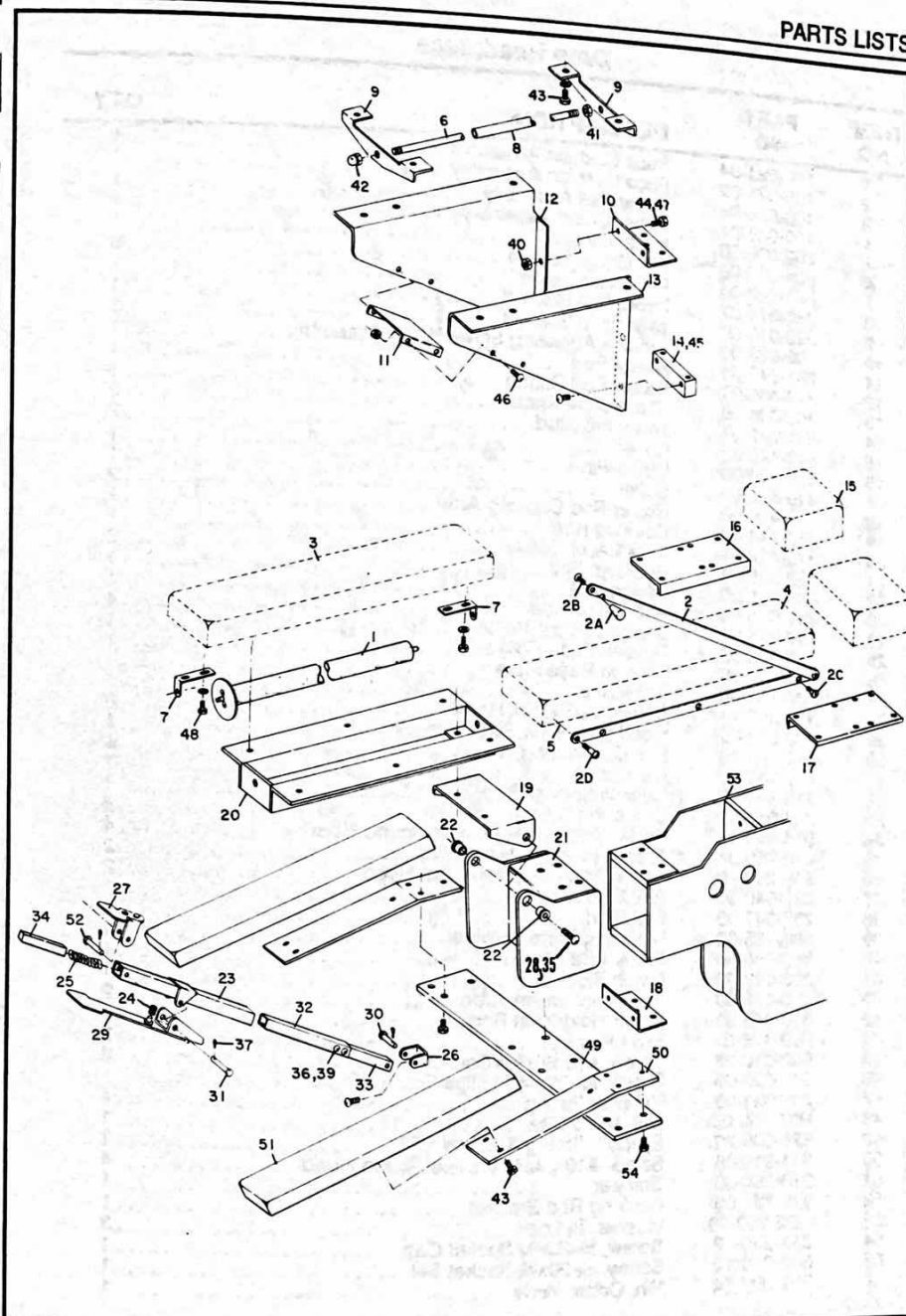


Figure 8-1—Headpiece Parts Drawings

Drop Headpiece

ITEM NO	PART NO	DESCRIPTION	QTY
1	100-021-04	Face Cushion Assembly, Right	1
2	100-021-05	Face Cushion Assembly, Left	1
3	100-056-06	Paper Roll Assembly	1
4	100-057-01	Paper Cutoff Assembly	1
5*	262-009-00	Knob w/Insert	8
6	P04-250-00	Pin, Cotter Hair 1/4	1
7	P01-093-04	Pin Cotter 3/32x1/2	1
8	310-074-02	Paper Roll Bracket	1
9	283-010-00	Wire Form Bracket	1
10	100-083-00	Tension Adjusting Screw/Knob Assembly	1
11	281-047-01	Raiser Rod	1
12	310-438-01	Raiser Rod Button	2
13	262-036-00	Black Cone Knob	2
14	281-022-01	Threaded Stud	1
15	310-146-00	Roller	1
16	310-310-00	Clevis Pin	2
17	310-378-00	Collar	1
18	310-410-00	Raiser Rod Cocking Arm	1
19	310-414-00	Cocking Rod	1
20	310-428-01	Lock Lever Collar	2
21	232-003-05	Bushing, Ball	1
22	233-016-00	Spring	1
23	261-005-00	Rubber Bumper w/Screw	4
24	100-617-01	Support, Front Tilt	1
25	380-163-02	Tension Plate Cover	1
26	380-164-00	Tension Base Plate	1
27	302-151-00	Top Plate	1
28	516-250-14	Screw, 1/4x7/8 Hex Head	6
29	302-213-00	Head Raiser Tilt Plate	1
30	310-138-00	Bar, Connecting	4
31	310-142-01	Bar Lock	1
32	310-411-00	Tension Spacer Rod	1
33	237-041-01	Clevis Pin	8
34	514-010-12	Screw, #10-24x3/4 Phillips Round Head	4
35	516-250-08	Screw, 1/4-20x1/2 Hex Head	2
36	518-250-16	Screw, 1/4-20x1 Socket But Head	2
37	237-046-00	Ball Stud Retainer	1
38	237-047-00	Ball Stud	1
39	380-185-00	Mounting Plate Retainer	1
40	380-186-00	Paper Rod Bracket	1
41	283-080-00	Catch Block	1
42	310-448-00	Paper Holddown Tube	2
43	310-449-00	Paper Holddown Rod	1
44	R02-125-01	Rivet Pop	2
45	502-010-03	Screw, #10-24x3/16 Socket Set	2
46	514-006-08	Screw, #6-32x1/2 Phillips Round Head	1
47	233-041-00	Retainer Spring	1
48	N01-006-00	Nut, #6-32 Hex	1
49	528-006-20	Eyebolt, Spring Retainer TTP	1
50	514-010-06	Screw, #10-24x3/8 Phillips Round Head	4
51	310-368-00	Bumper	1
52	310-721-00	Cocking Rod Bracket	1
53	W06-250-00	Washer, 3/4 Lock	3
54	S17-250-12	Screw, 1/4-20x3/4 Socket Cap	1
55	S02-250-12	Screw, 1/4-20x3/4 Socket Set	1
56	P01-093-04	Pin, Cotter 3/4x1/2	1

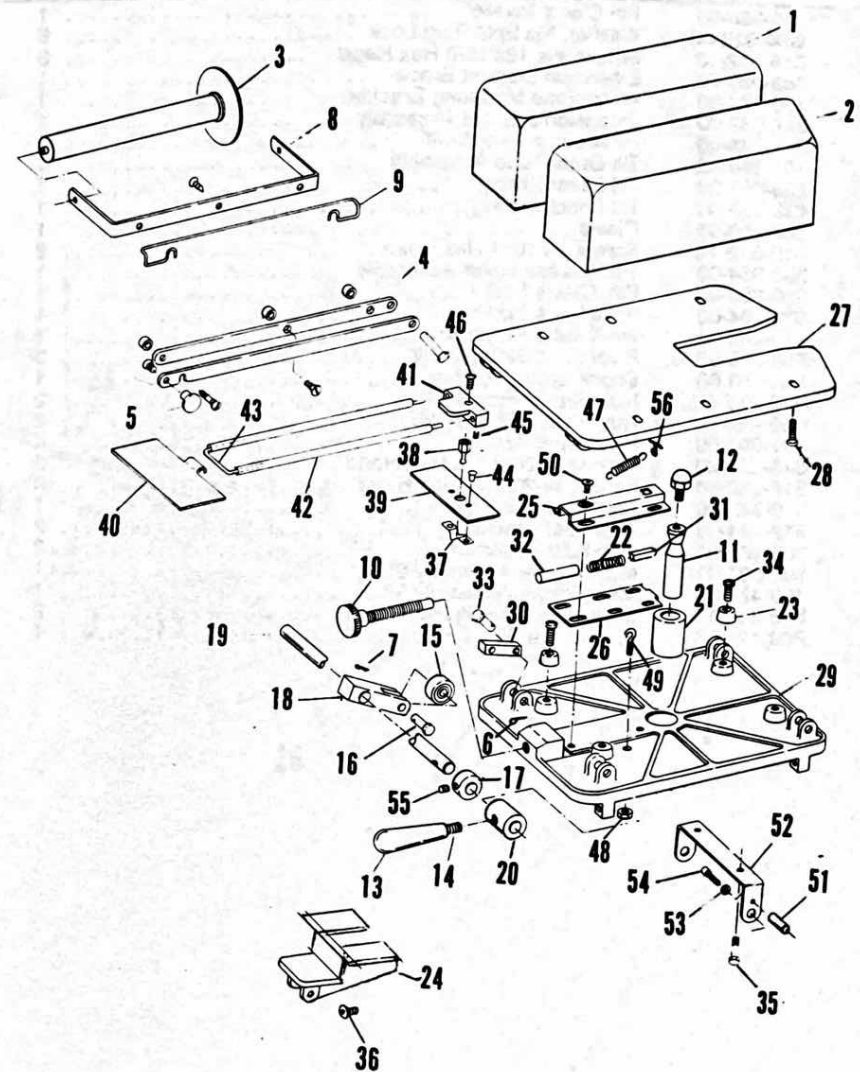


Figure 8-2—Drop Headpiece Drawing

Arm Rest and Headpiece

ITEM NO	PART NO	DESCRIPTION	QTY
1	310-066-00	Pin Clevis $\frac{1}{4} \times 1 \frac{1}{2}$	1
2	W06-312-00	Washer, $\frac{5}{16}$ Split Ring Lock	6
3	S16-312-10	Screw, $\frac{5}{16}$ -18 x $1 \frac{1}{8}$ Hex Head	6
4	383-098-00	Extension Bracket Brace	1
5	380-282-00	Headpiece Mounting Bracket	1
6	382-052-00	Extension Bracket Assembly	2
7	310-745-00	Headpiece Pivot Shaft	1
8	100-260-02	Tilt Outer Tube Assembly	1
9	233-057-00	Tilt Lever Spring	1
10	233-058-00	Tilt Shock Spring	1
11	280-103-01	Clevis	1
12	S16-312-16	Screw, $\frac{3}{8}$ -16 x 1 Hex Head	2
13	382-054-00	Tilt Release Lever Assembly	1
14	310-386-00	Pin, Clevis $\frac{1}{4} \times 1$	1
15	310-304-00	Pin, Clevis $\frac{1}{4} \times 1 \frac{1}{2}$	1
16	310-482-01	Inner Tube Pelvic Adj.	1
17	380-300-00	Pivot Plate 220/440 Tilt	2
18	310-760-00	Shock Spring Pusher	1
19	N03-375-00	Nut, Elastic Stop $\frac{3}{8}$ -16	2
20	N03-250-00	Nut, Elastic Stop $\frac{1}{4}$ -20	2
21	P01-093-09	Pin, Cotter $\frac{3}{32} \times \frac{1}{2}$	4
22	S16-250-20	Screw, $\frac{1}{4}$ -20 x $1 \frac{1}{4}$ Hex Head	2
23	S16-250-14	Screw, $\frac{1}{4}$ -20 x $\frac{7}{8}$ Hex Head	10
24	310-743-00	Arm Rest Outrigger	1
25	310-744-00	Arm Rest Bracket	2
26	100-436-01	Arm Rest Assembly	2
27	382-021-01	Main Frame Assembly 90	1
	100-477-01	Main Frame Assembly 95	1
28	S16-312-12	Screw, $\frac{5}{16}$ -18 x $\frac{3}{4}$ Hex Head	2
29	P00-125-06	Pin, Roll $\frac{1}{8} \times \frac{3}{4}$	1

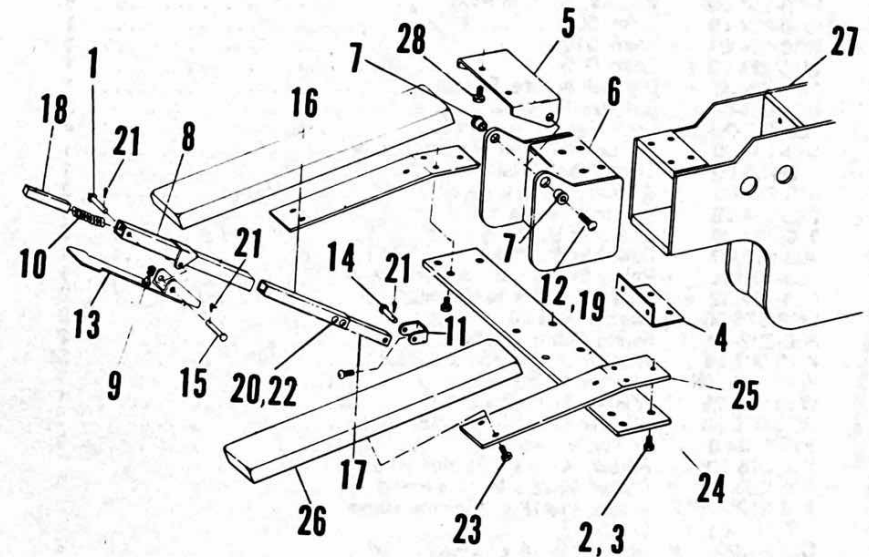


Figure 8-3—Arm Rest and Headpiece Mounting Drawing

Main Frame/Thoracic Parts

ITEM NO	PART NO	DESCRIPTION	QTY
1	100-413-00	Abdominal Cushion Assembly	1
2	380-204-00	Bracket, Abdominal	4
3	380-205-00	Bar, Abdominal	2
4	S16-312-20	Screw, 5/16-18 x 1 1/4 Hex Head	4
5	N03-312-00	Nut, 5/16-18 Elastic Stop	6
6	S16-250-14	Screw, 1/4-20 x 7/8 Hex Head	8
7	N01-250-00	Nut, 1/4-20 Hex	8
8	237-014-00	Lift	2
9	232-012-00	Flange Bearing, 3/4" Bore	4
10	W06-250-00	Washer, 1/4" Split Ring	8
11	W10-024-00	Shim .005	1
	W10-024-01	Shim .010	1
	W10-024-02	Shim .015	1
12	283-003-00	Uni-Ball Aurora, Flexion	1
13	N21-625-00	Nut, 5/8-18 Hex	2
14	100-405-00	Lock Handle Assembly	4
15	100-404-00	Abdominal Roll Lock Assembly	1
16	310-756-00	Swing Lock Shaft	1
17	310-755-00	Spacer, Swing Lock Arm	2
18	232-004-05	Bearing Sleeve	2
19	310-762-00	Shoulder Bushing	2
20	100-610-00	Lower Swing Yoke	1
21	100-401-01	Pelvic Swing Lock Assembly	1
22	S16-375-12	Screw, 3/8-16 x 3/4 Hex Head	2
23	W02-375-00	Washer, 3/8 Flat	2
24	380-232-00	Swing Clamp Blade	2
25	W10-007-25	Washer, .750 x .531 x .025	5
26	W10-020-15	Washer, Nylon 5/8 x .015	1
	W10-020-25	Washer, Nylon 5/8 x .025	1
	W10-020-30	Washer, Nylon 5/8 x .030	1
27	310-650-00	Shoulder Sleeve	1
28	S16-375-20	Screw, 3/8-16 x 1 1/4 Hex Head	1
29	S16-250-10	Screw, 1/4-20 x 5/8 Hex Head	8
30	S16-312-20	Screw, 5/16-18 x 1-1/4 Hex Head	2
31	310-684-01	Spacer	3
32	S16-312-10	Screw, 5/16-18 x 5/8 Hex Head	2
33	282-021-01	Main Frame Assembly—Model 90	1
	100-477-01	Main Frame Assembly—Model 95	1
34	W02-250-00	Washer, 1/4" SAE	4
35	W02-625-00	Washer, 5/8" SAE	1
36	N02-625-00	Nut, 5/8-11 Hex Jam	1
37	S16-625-52	Screw, 5/8-11 x 3 1/4 Hex Head	1
38	255-006-00	Pouch, Instruction Manual	1

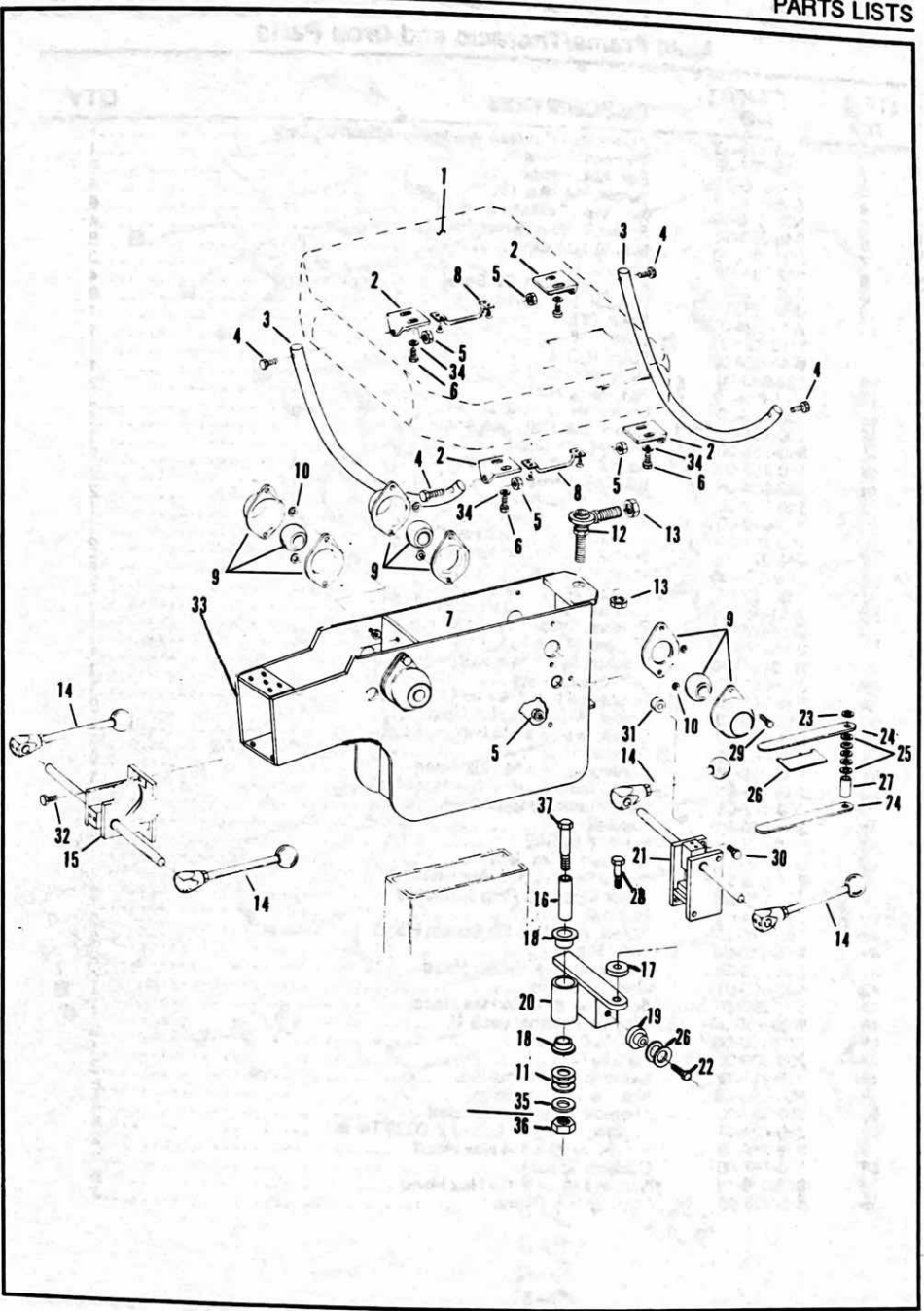


Figure 8-4—Main Frame Thoracic Parts Drawing

Main Frame/Thoracic and Drop Parts

ITEM NO	PART NO	DESCRIPTION	QTY
1	100-413-03	Abdominal Cushion Assembly—Model 90 Only	1
2	385-007-00	Thoracic Frame	2
3	380-205-01	Bar, Abdominal	4
4	S16-312-20	Screw, $\frac{5}{16}$ -18 x $1\frac{1}{4}$ Hex Head	6
5	N03-312-00	Nut, $\frac{5}{16}$ -18 Elastic Stop	4
6	S16-250-14	Screw, $\frac{1}{4}$ -20 x $\frac{7}{8}$ Hex Head	8
7	N01-250-00	Nut, $\frac{1}{4}$ -20 Hex	2
8	237-014-00	Lift	4
9	232-012-00	Flange Bearing, $\frac{3}{4}$ " Bore	8
10	W06-250-00	Washer, $\frac{1}{4}$ " Split Ring	1
11	W10-024-00	Shim .005	1
	W10-024-01	Shim .010	1
	W10-024-02	Shim .015	1
12	283-003-00	Uni-Ball Aurora, Flexion	2
13	N21-625-00	Nut, $\frac{5}{8}$ -18 Hex	4
14	100-405-00	Lock Handle Assembly	1
15	100-404-00	Abdominal Roll Lock Assembly	1
16	310-756-00	Swing Lock Shaft	2
17	310-755-00	Spacer, Swing Lock Arm	2
18	232-004-05	Bearing Sleeve	2
19	310-762-00	Shoulder Bushing	1
20	100-610-00	Lower Swing Yoke	1
21	100-401-01	Pelvic Swing Lock Assembly	2
22	S16-375-12	Screw, $\frac{3}{8}$ -16 x $\frac{3}{4}$ Hex Head	2
23	W02-375-00	Washer, $\frac{3}{8}$ Flat	2
24	380-232-00	Swing Clamp Blade	5
25	W10-007-25	Washer, .750 x .531 x .025	1
26	W10-020-15	Washer, Nylon $\frac{5}{8}$ x .015	1
	W10-020-25	Washer, Nylon $\frac{5}{8}$ x .025	1
	W10-020-30	Washer, Nylon $\frac{5}{8}$ x .030	1
27	310-650-00	Shoulder Sleeve	1
28	S16-375-20	Screw, $\frac{3}{8}$ -16 x $1\frac{1}{4}$ Hex Head	8
29	S16-250-10	Screw, $\frac{1}{4}$ -20 x $\frac{5}{8}$ Hex Head	2
30	S16-312-20	Screw, $\frac{5}{16}$ -18 x $1\frac{1}{4}$ Hex Head	3
31	310-684-01	Spacer	2
32	S16-312-10	Screw, $\frac{5}{16}$ -18 x $\frac{5}{8}$ Hex Head	1
33	382-021-01	Main Frame Assembly—Model 90	1
	100-477-01	Main Frame Assembly—Model 95	1
34	380-330-00	Bracket	2
35	W02-625-00	Washer, $\frac{5}{8}$ SAE	1
36	N02-625-00	Nut, $\frac{5}{8}$ -11 Hex Jam	1
37	S16-625-52	Screw, $\frac{5}{8}$ -11 x $3\frac{1}{4}$ Hex Head	1
38	261-019-00	Motor Mounting Plug Grommet	2
39	310-804-00	Bumper	1
40	502-010-20	Screw, #10-24 x $1\frac{1}{4}$ Socket Head	2
41	N99-250-04	Weld Nut $\frac{1}{4}$ -20	2
42	S16-250-08	Screw, $\frac{1}{4}$ -20 x $\frac{1}{2}$ Hex Head	2
43	100-650-01	Drop, Thoracic	1
44	S16-250-20	Screw, $\frac{1}{4}$ -20 x $1\frac{1}{4}$ Hex Head	1
45	W03-250-00	Washer, External Lock $\frac{1}{4}$	1
46	N01-250-00	Nut, $\frac{1}{4}$ -20 Hex	9
47	269-009-00	Handle Grip	1
48	100-413-02	Cushion Abdominal Ext.	2
49	N01-250-08	Nut, $1\frac{1}{4}$ -20 Hex Head	8
50	380-331-00	Thoracic Extension Bracket	2
51	280-421-01	Washer, 1 O.D. x .253 I.I x .0625 Thick	6
52	S16-250-18	Screw, $\frac{1}{4}$ -20 x $1\frac{1}{8}$ Hex Head	2
53	310-797-00	Cushion Spacer	2
54	S16-010-18	Screw, #10-24 x $1\frac{1}{8}$ Hex Head	8
55	310-412-00	Pivot Spacer Pierce	2

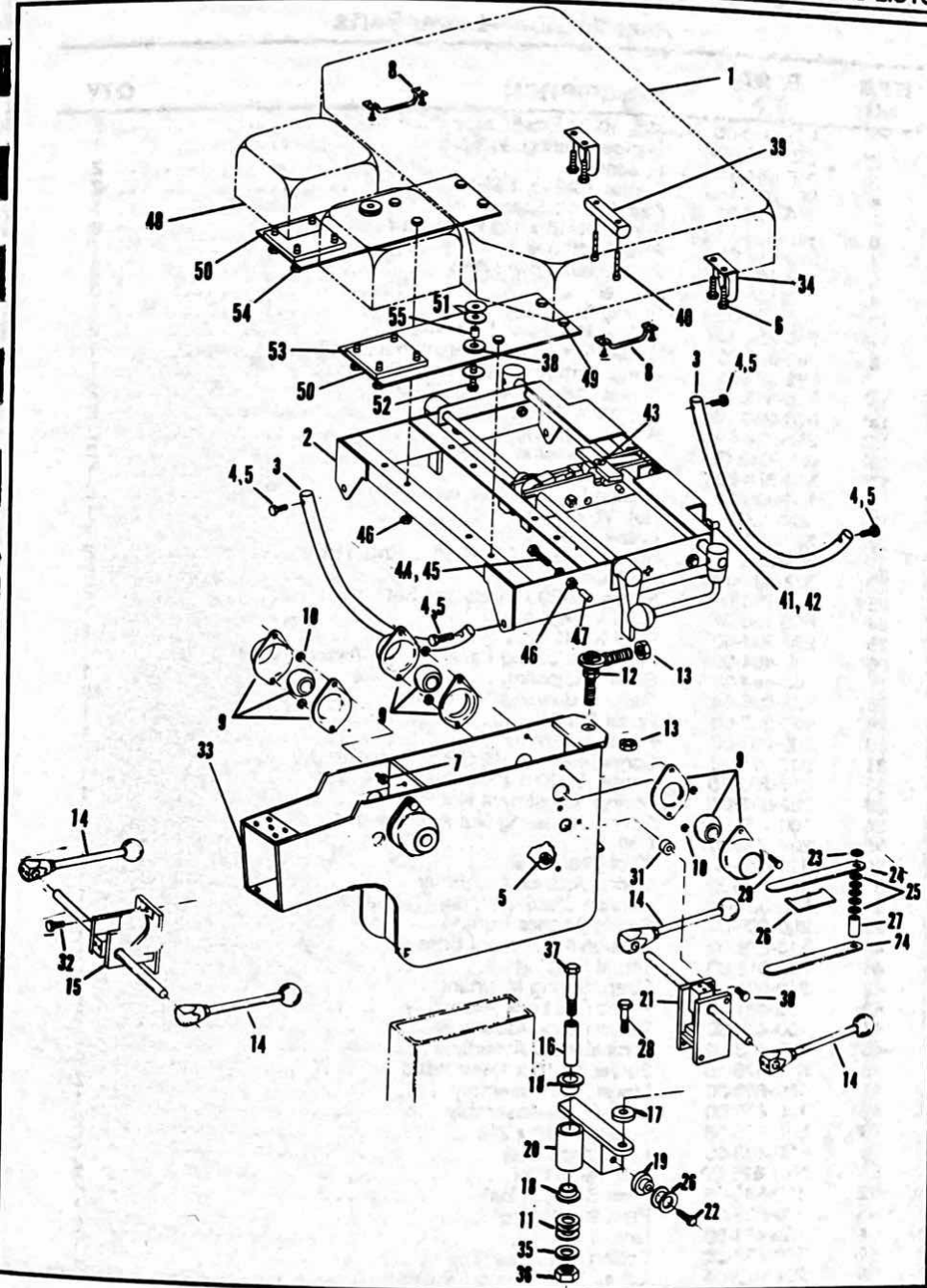


Figure 8-5—Main Frame Thoracic & Drop Parts

Rear Section—Lower Parts

ITEM NO	PART NO	DESCRIPTION	QTY
1	N03-010-00	Nut, 10-24 Elastic Stop	2
2*	232-013-00	Flange Bearing, 1/2 Bore	1
3	310-684-01	Spacer	2
4	S23-010-16	Screw, 10-24 x 1 SEMS	2
5	310-718-00	Pad, Spring Spacer	1
6	S16-375-24	Screw, 3/8-16 x 1 1/2 Hex Head	6
7	310-635-03	Pivot Shaft 3/8"	4
8	310-753-00	Pivot Shaft, Lower Arm	2
9	310-741-00	Spacer	3
10	100-451-00	Spring Assembly	1
11*	S16-250-10	Screw, 1/4-20 x 5/8 Hex Head	2
12	382-031-00	Upper Arm Assembly (without Drop)	1
	382-031-01	Upper Arm Assembly (with Drop)	1
13	S16-312-12	Screw, 5/16-18 x 3/4 Hex Head	2
14*	N01-250-00	Nut, 1/4-20 Hex	2
15*	280-224-00	Roll Lock Blade	2
16*	W10-019-00	Spacer, Washer	2
17	310-378-00	Stop Collar	1
18	100-405-01	Flexion Lock Handle Assembly	2
19	N01-250-00	Nut, 1/4-20 Hex	1
20	262-002-00	Crank Knob, Black	1
21	S14-250-36	Screw, 1/4-20 x 2 1/4 Phillips Rnd. Hd.	2
22	232-021-00	Bushing	6
23	S02-250-06	Screw, 1/4-20 x 3/8 Socket Set	2
24	P00-156-07	Roll Pin, 5/32" x 7/8"	1
25	280-231-00	Pivot Shaft, Spring Adjustment	1
26	100-484-00	Spring Adjusting Lever—Right Assembly	1
27	100-484-01	Spring Adjusting Lever—Left Assembly	1
28	232-005-04	Garlock Bushing 10DU08	19
29	280-230-00	Roller Shaft	1
30	100-283-00	Roller Assembly	1
31	S17-375-36	Screw, 3/8-16 x 2 1/4 GR 9, Soc. Head	2
32	S17-250-16	Screw, 1/4-20 x 1" Socket Cap	1
33	282-038-00	Spring Adjustment Nut Holder	1
34	100-449-00	Spring Adjusting Nut Assembly	1
35	203-002-00	Collar	2
36	310-635-02	Pivot Shaft 3/8"	4
37	282-032-00	Spring Anchor Assembly	1
38	300-004-03	Tension Crank Handle, Threaded	1
39	280-209-00	Spring Anchor Trunion	1
40	310-629-00	Tension Adjustment Screw	1
41	232-018-00	Thrust Bearing	1
42	310-631-00	Strap, Spring Mounting	1
43	100-401-00	Pelvic Roll Lock Assembly	1
44	100-402-00	Flexion Lock Assembly	1
45*	100-405-00	Lock Handle Assembly	2
46	S16-375-16	Screw, 3/8-16 x 1 Hex Head	8
47	100-609-00	Lower Arm Assembly	2
48	100-479-00	Lock Blade Assembly	1
49*	S16-375-36	Screw, 3/8-16 x 2 1/4	2
50	100-480-00	Lever Assembly	2
51	N21-625-00	Nut, 5/8-18 Hex	2
52	310-635-01	Pivot Shaft, 2 1/16"	2
53	310-635-00	Pivot Shaft, 2 1/32"	1
54	100-481-00	Link	2
55	100-483-00	Spring Eye Assembly	1
56	254-027-01	Label, Leaf Spring Caution	1

* Indicates not used on Drop.

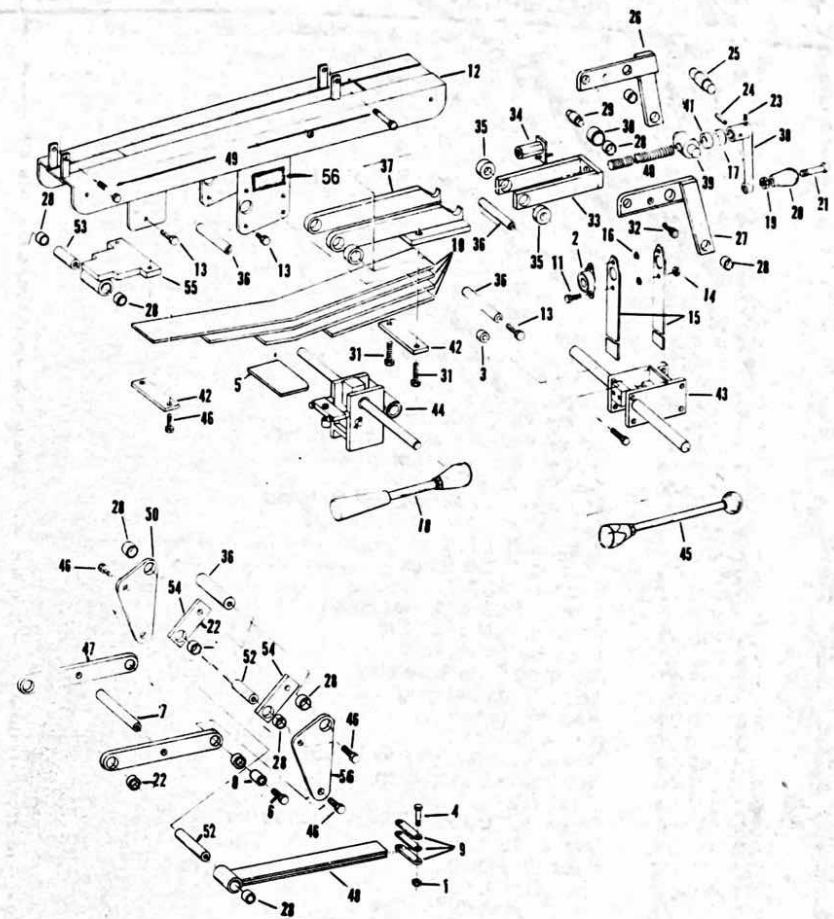


Figure 8-6—Rear Section—Lower Parts Drawings

Rear Section—Upper Parts

ITEM NO	PART NO	DESCRIPTION	QTY
1	100-460-00	Pelvic Cushion Assembly—Flexion	1
2	100-450-01	Ankle Rest Cushion, L.H.	1
3	100-450-02	Ankle Rest Cushion, R.H.	1
4	233-046-00	Spring, Ankle Rest	1
5	282-036-00	Rear Frame	1
6	310-741-00	Ciamp, Ankle Cuff	2
7	W02-010-00	Washer, #10	4
8	S14-010-08	Screw, 10-24 x 1/2 Phillips Rd. Hd.	4
9	380-279-00	Plate, Cushion Base	1
10	310-648-01	Spacer, Ankle Rest	2
11	310-640-01	Tube, Ankle Rest	2
12	S16-250-32	Screw, 1/4-20 x 2 Hex Head	4
13	P00-187-08	Roll Pin, 3/16 x 1	2
14	310-614-01	Ankle Rest Guide	2
15	310-614-00	Ankle Rest Guide	2
16	380-214-00	Bracket, Guide Ankle Rest	2
17	382-027-00	Ankle Rest Lock	1
18	S05-010-16	Screw, 10-24 x 1" Phillips Flat Head	4
19	S16-250-14	Screw, 1/4-20 x 7/8 Hex Head	7
20	S14-010-06	Screw, #10-24 x 3/8 Phillips Rd. Hd.	4
21	S16-250-12	Screw, 1/4-20 x 3/4 Hex Head	2
22	W03-010-00	Washer, Lock External	4
23	S18-250-12	Screw, 1/4-20 x 3/4 Soc. Button Head	1
24	100-429-00	Ankle Cuff, R.H.	1
	100-429-01	Ankle Cuff, L.H.	1
25	232-011-00	Bearing, Pillow Block	2
26	W02-250-00	Washer, 1/4 SAE	4
27	S16-250-14	Screw, 1/4-20 x 7/8 Hex Head	4
28	380-213-00	Bracket, Pelvic Roll Bar	2
29	310-642-00	Slide Bar, Pelvic Roll	1
30	100-417-00	Adjusting Tube Assembly	1
30A	310-668-00	Acme Threaded Plug	1
31	310-600-00	Traction Screw	1
32	N01-250-00	Nut, 1/4-20 Hex	2
33	S16-312-12	Screw, 5/16-18 x 3/4 Hex Head	2
34	N03-312-00	Nut, 5/16-18 Elastic Stop	2
35	262-002-00	Crank Knob, Black	2
36	S14-250-36	Screw, 1/4-20 x 2 1/4 Phillips Round Head	2
37	310-378-00	Stop Collar	2
38	W10-011-00	Nylon Washer	2
	100-429-01	Ankle Cuff, L.H.	1
39	232-013-00	Flange Bearing, 1/2 Bore	1
40	S16-250-10	Screw, 1/4-20 x 5/8 Hex Head	2
41	300-004-00	Crank Handle	1
42	S02-250-04	Screw, 1/4-20 Socket Set	2
43	S02-250-06	Screw, 1/4-20 x 3/8 Socket Set	2
44	W10-015-00	Washer, 8120D x .515 ID, .050	1
45	S18-312-12	Screw, 5/16-18 x 3/4 Button Head	2
46	N02-250-00	Nut, 1/4-20 Hex Jam	1
47	W02-500-00	Washer, 1/2" SAE	1
48	W10-009-00	Washer, Nylon 3/8" ID	4
49	280-222-00	Spacer, Shroud	2
50	N03-375-00	Nut, 3/8-16 Elastic Stop	2
51	380-221-00	Shroud, R.H.	1
	380-221-01	Shroud, L.H.	1
52	261-007-00	Trim	1
53	254-053-05	Label, Lock Caution	2

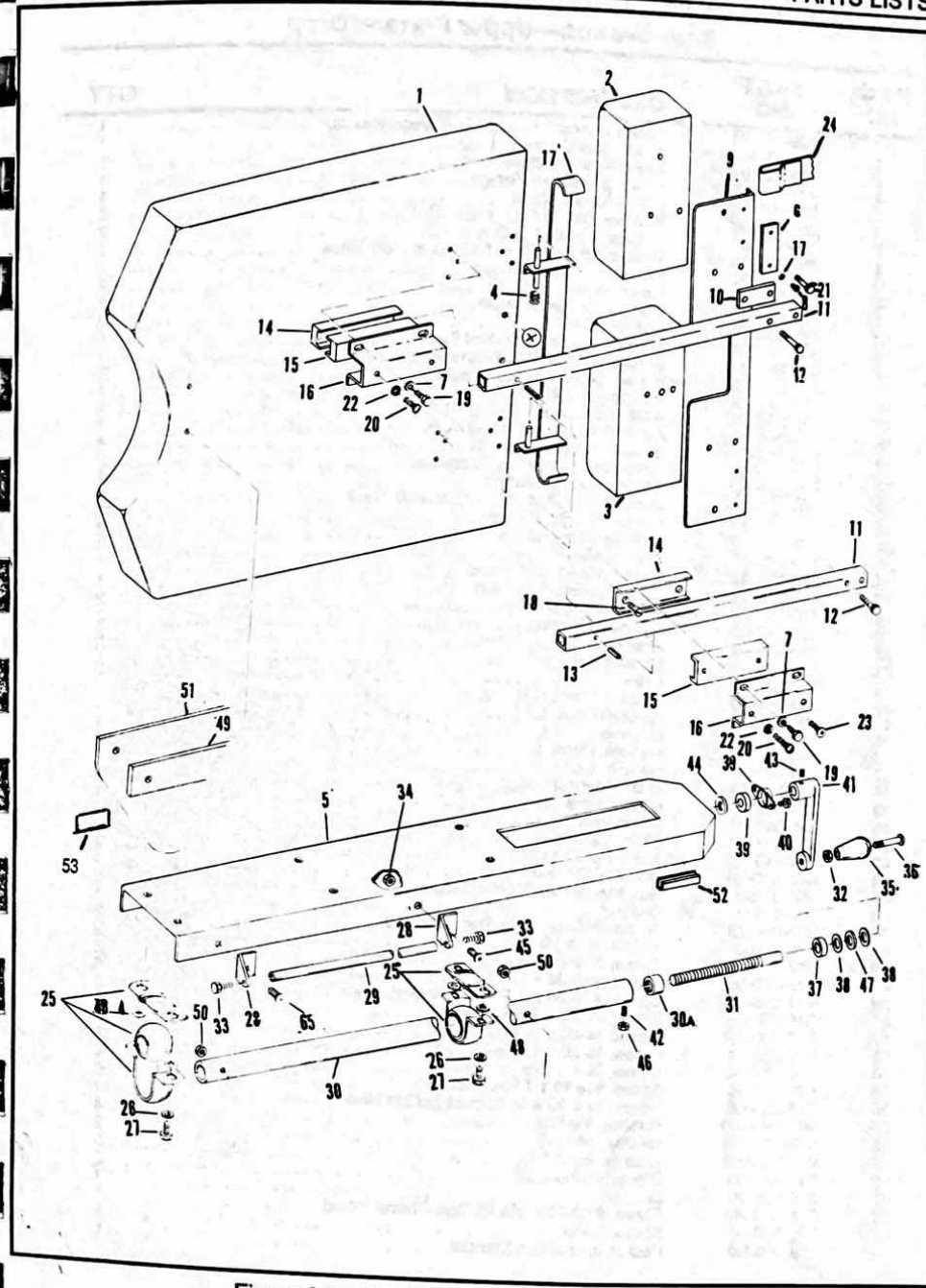


Figure 8-7—Rear Section—Upper Parts Drawing

Rear Section—Upper Parts w/Drop

ITEM NO	PART NO	DESCRIPTION	QTY
1	100-460-01	Pelvic Cushion Assembly—Flexion w/Drop	1
2	100-450-02	Ankle Rest Cushion, L.H.	1
3	100-450-01	Ankle Rest Cushion, R.H.	1
4	232-013-00	Bearing, 1/2 Bore Flange	1
5	262-002-00	Crank Knob, Black	1
6	263-007-00	Washer, Felt 1/2 O.D. x 1/2 I.D.	2
7	280-411-00	Washer, Nylon 1 O.D. x 1/2 I.D.	1
8	280-415-00	Washer, .812 O.D. x .515 I.D. x .050 Thick	1
9	300-004-00	Crank Handle, Polished	1
10	310-378-00	Collar, Pelvic Stop	1
11	310-600-00	Traction Screw, Flexion	3
12	N01-250-00	Nut, 1/4-20 Hex	1
13	S02-250-06	Screw, 1/4-20 x 3/8 Socket Set	1
14	S14-250-36	Screw, 1/4-20 x 2 1/4 Phillips Round Head	2
15	S16-250-10	Screw, 1/4-20 x 5/8 Hex Head	1
16	W02-500-00	Washer, 1/2 SAE	1
17	233-062-00	Ankle Rest Latch Spring, R.H.	1
18	233-062-01	Ankle Rest Latch Spring, L.H.	1
19	260-010-00	Slide Tension Washer	4
20	261-019-00	Motor Mounting Plug Grommet	2
21	100-650-00	Pelvic Drop Assembly	1
22	280-421-01	Washer, 1 O.D. x .253 I.D. x .065 Thick	28
23	281-052-00	Column Guide Button	2
24	310-412-00	Pivot Spacer—Pierce	1
25	310-809-00	Nut, Traction	1
26	310-810-00	Slide Bearing Bar, Front	1
27	310-810-01	Slide Bearing Bar, Rear	1
28	310-811-00	Hinge Bracket	2
29	310-812-00	Retainer Spacer	2
30	380-339-00	Bracket	2
31	380-338-00	Grommet Plate	2
32	380-339-00	Link	2
33	380-340-00	Ratchet Pawl, R.H.	1
34	380-340-01	Ratchet Pawl, L.H.	1
35	380-341-00	Retainer	1
36	380-342-00	Handle, Right	1
37	380-342-01	Handle, Left	1
38	380-347-00	Slide Bearing	4
39	385-008-00	Slide Frame	1
40	385-010-00	Ankle Rest	1
41	385-011-00	Slide, Caudal	1
42	380-343-00	Ankle Rest Latch	2
43	N01-010-00	Nut, #10-24 Hex	4
44	N03-312-00	Nut, 5/16-18 Hex Elastic Stop	8
45	310-804-00	Bumper	1
46	S02-010-20	Screw, #10-24 x 1 1/4 Socket Head	2
47	N99-250-04	Weld Nut 1/4-20	3
48	S12-010-04	Screw, #10-24 x 1/4 Phillips Bind Head	2
49	S12-010-08	Screw, #10-24 x 1/2 Phillips Bind Head	6
50	S14-010-16	Screw, #10-24 x 1 Phillips Round Head	2
51	S16-250-08	Screw, 1/4-20 x 1/2 Hex Head	2
52	S16-250-12	Screw, 1/4-20 x 3/4 Hex Head	2
53	S16-250-14	Screw, 1/4-20 x 5/8 Hex Head	16
54	S16-250-14	Screw, 1/4 x 1 Hex Head	4
55	S16-312-16	Screw, 5/16-18 x 1 Hex Head	8
56	S18-250-08	Screw, 1/4 x 20 x 1/2 Socket Button Head	2
57	W01-187-00	Washer, 3/16 Flat	4
58	W02-250-00	Washer, 1/4 SAE	2
59	W02-312-00	Washer, 5/16 SAE	8
60	310-741-00	Clamp, Ankle Cuff	2
61	310-816-00	Spacer	1
62	S14-010-20	Screw, #10-24 x 1 1/4 Phillips Round Head	1
63	380-350-00	Screw Cover	1
64	255-006-00	Pouch, Instruction Manual	1

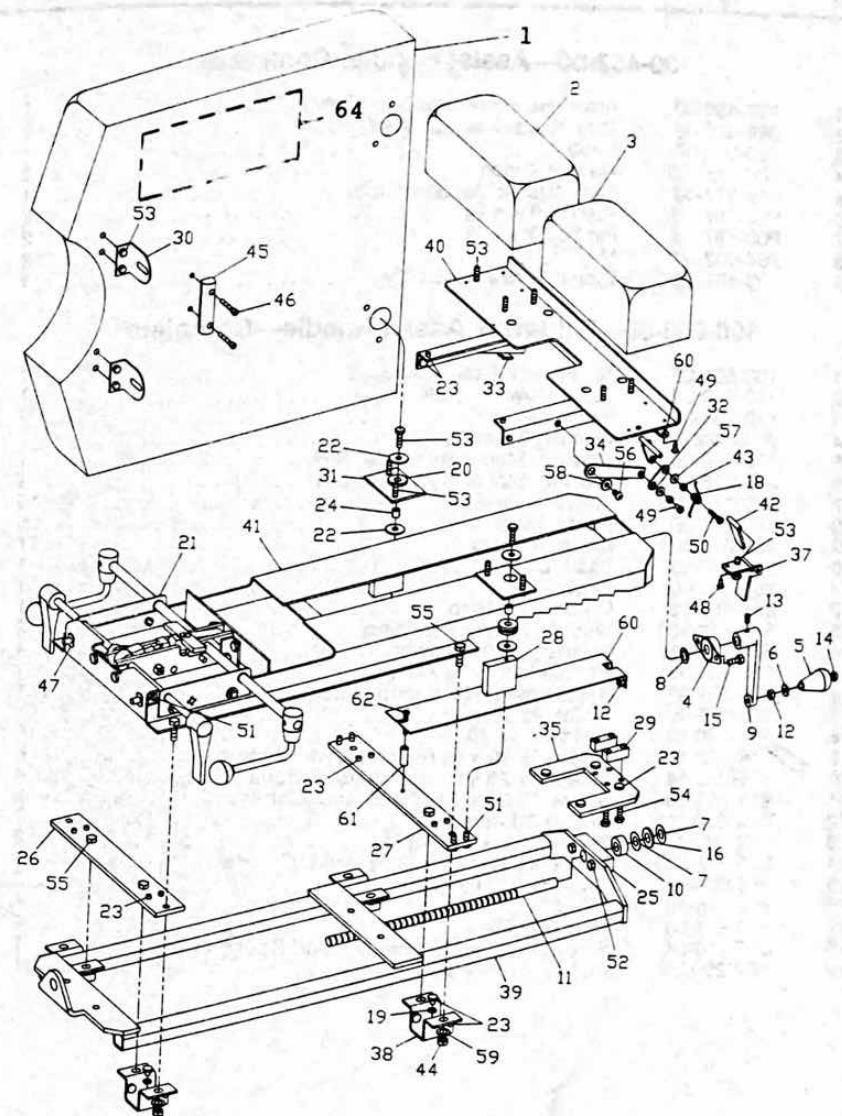


Figure 8-8—Rear Section—Upper Parts w/Drop

Assist Handle Parts

ITEM NO	PART NO	DESCRIPTION	QTY
100-452-00—Assist Handle, Complete			
1	100-430-00	Assist Handle Assembly—Flexion	1
2	269-008-02	Grip, Assist Handle, 3' long	1
3	262-006-00	Knob	1
4	W10-009-00	Washer, Nylon	1
5	310-677-00	Plug Washer, Assist Handle	2
6	P00-187-03	Roll Pin $\frac{3}{16}$ x $\frac{3}{8}$	2
7	P00-187-06	Pin, Roll $\frac{3}{16}$ x $\frac{3}{4}$	2
8	264-002-00	Mat	1
9	100-431-00	Clamp Screw Assembly	1
100-602-00—Foldaway Assist Handle—Complete			
1	100-601-00	Tee Handle Assembly	1
2	310-740-00	Tube, Lower Handle	2
3	310-738-00	Pin, Pivot	2
4	W10-022-00	Washer, Belleville	1
5	380-275-00	Bracket, Stationary Blade, R.H.	1
6	380-275-01	Bracket, Stationary Blade, L.H.	1
7	280-276-00	Spacer, Blade	19
8	380-277-00	Blade, Stationary	5
9	380-278-00	Blade, Moving	17
10	310-737-00	Shaft, Cam	1
11	262-036-00	Knob	1
12	281-055-00	Collar, Cam Stop	2
13	310-742-00	Washer, Spring Retaining	4
14	W10-023-00	Washer, Cam Follower	1
15	310-739-02	Handle Mounting Plate	1
16	380-351-00	Assist Handle Mounting Plate	1
17	310-382-00	Collar, $\frac{3}{8}$	6
18	N99-250-04	Weldnut, $\frac{1}{4}$ -20	6
19	S18-250-10	Screw, $\frac{1}{4}$ -20 x $\frac{5}{8}$ Button Head, Chrome	4
20	S16-250-14	Screw, $\frac{1}{4}$ -20 x $\frac{7}{8}$ Hex Head, Chrome	2
21	S18-250-16	Screw, $\frac{1}{4}$ -20 x 1 Button Head, Chrome	2
22	N04-250-00	Nut, $\frac{1}{4}$ -20 Acorn	2
23	W02-250-00	Washer, Lock Spring $\frac{1}{4}$	2
24	S18-375-08	Screw, $\frac{3}{8}$ -16 x $\frac{1}{2}$ Button Head, Chrome	2
25	269-008-02	Grip, Assist Handle Foam	2
26	254-055-00	Label	1
27	310-815-00	Mounting Plate	1
28	S17-250-24	Screw, $\frac{1}{4}$ -20 x $1\frac{1}{2}$ Socket Head Capscrew	1
29	N02-250-00	Nut, $\frac{1}{4}$ -20 Hex Jam	1

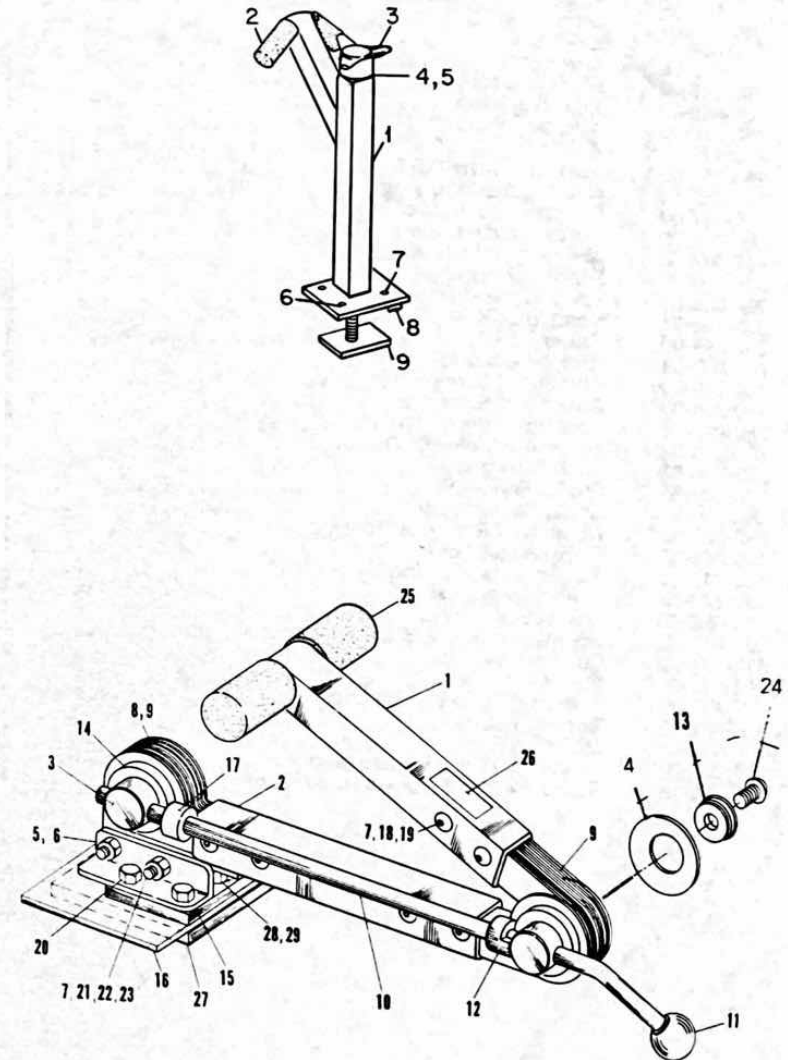


Figure 8-9—Assist Handle Parts Drawings

Lock Assemblies Parts

ITEM NO	PART NO	DESCRIPTION	QTY
1	310-676-00	Pad	1
2	280-201-00	Cam Lock	1
3	310-604-00	Link Lock	1
4	280-202-00	Lever Lock	1
5	280-227-00	Block Rubber	1
6	100-443-00	Adjusting Plate	1
7	280-218-00	Adjusting Shim .005	1
	280-217-01	Adjusting Shim .010	1
	280-217-02	Adjusting Shim .0075	1
8	N03-250-00	Nut, 1/4-20 Elastic Stop	1
9	280-217-00	Clamp Blade Spacer	2
10	280-203-00	Collar, Lock Handle	2
11	N02-375-01	Nut, 3/8-16 Hex Heavy Jam	2
12	310-705-00	Rod, Lock Handle	2
13	262-036-00	Knob, Cone Flexion Lock	2
14	262-008-01	Knob, Ball 3/8-16, Threaded	2
15	237-041-00	Clevis Pin	1
16	232-005-04	Garlock Bushing	1
17	280-219-00	Abdominal Spring Shim	1
18	280-220-00	Abdominal Shim .005	1
	280-220-01	Abdominal Shim .010	1
	280-220-02	Abdominal Shim .0075	1
19	280-226-03	Shaft, Abdominal	1
20	280-226-00	Shaft, Pelvic Roll Lock	1
21	280-226-01	Shaft, Flexion Lock	1
22	282-026-00	Abdominal Roll Lock Housing	1
23	100-440-00	Swing & Roll Lock	1
24	100-441-00	Flexion Lock Housing	1
25	280-226-02	Shaft Swing Lock	1
26	N01-250-00	Nut, 1/4 Hex	4
27	S01-312-08	Screw, 5/16-18 x 1/2 Square Head Set	2
28	310-681-00	Spacer Tube	1
29	P01-125-06	Cotter Pin 1/8 x 3/4	1
30	100-461-00	Adjusting Plate Flexion Lock	1
31	310-682-00	Bearing Pad	1
32	310-683-00	Mounting Bar	1
33	S16-250-20	Screw, 1/4-20 x 1-1/4 Hex Head	2
34	S17-250-16	Screw, 1/4-20 x 1 Socket Head Cap	1

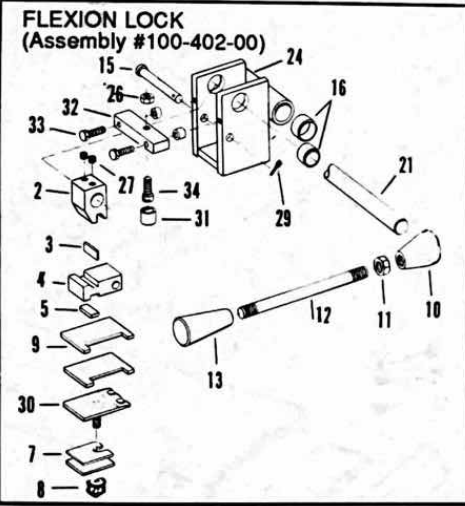
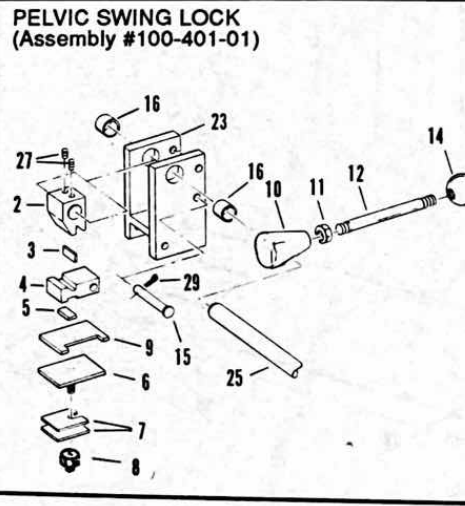
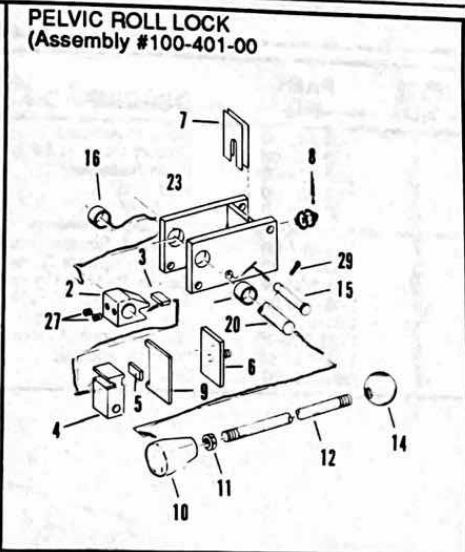
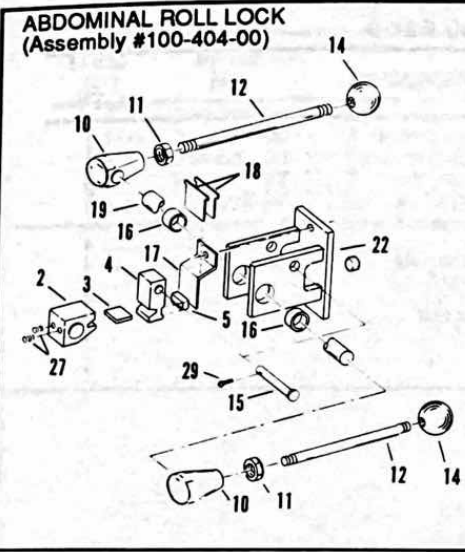


Figure 8-10—Lock Assemblies Parts Drawings

Base—Model 90 Parts

ITEM NO	PART NO	DESCRIPTION	QTY
1	100-442-00	Column Assembly	1
2	100-446-00	Spacer Column Assembly	1
3	382-022-00	Base Assembly	1
4	380-200-00	End Cap	2
5	380-228-00	Foot Base	2
6	W10-010-00	Washer, Special	4
7	310-667-00	Footpad, Scotch Tread	4
8	100-433-00	Column Spacer Screw Assembly	4
9	S16-500-24	Screw, 1/2-13 x 1 1/2 Hex Head	8
10	S23-010-24	Screw, #10-24 x 3/8 Hex Head	4
11	S91-500-24	Screw, 1/2-20 x 1 1/2 Socket Flat	4
12	W03-010-00	Washer, Lock, External	4
13	W02-187-00	Washer, 3/16 SAE	4
14	380-233-00	Scuff Plate	1

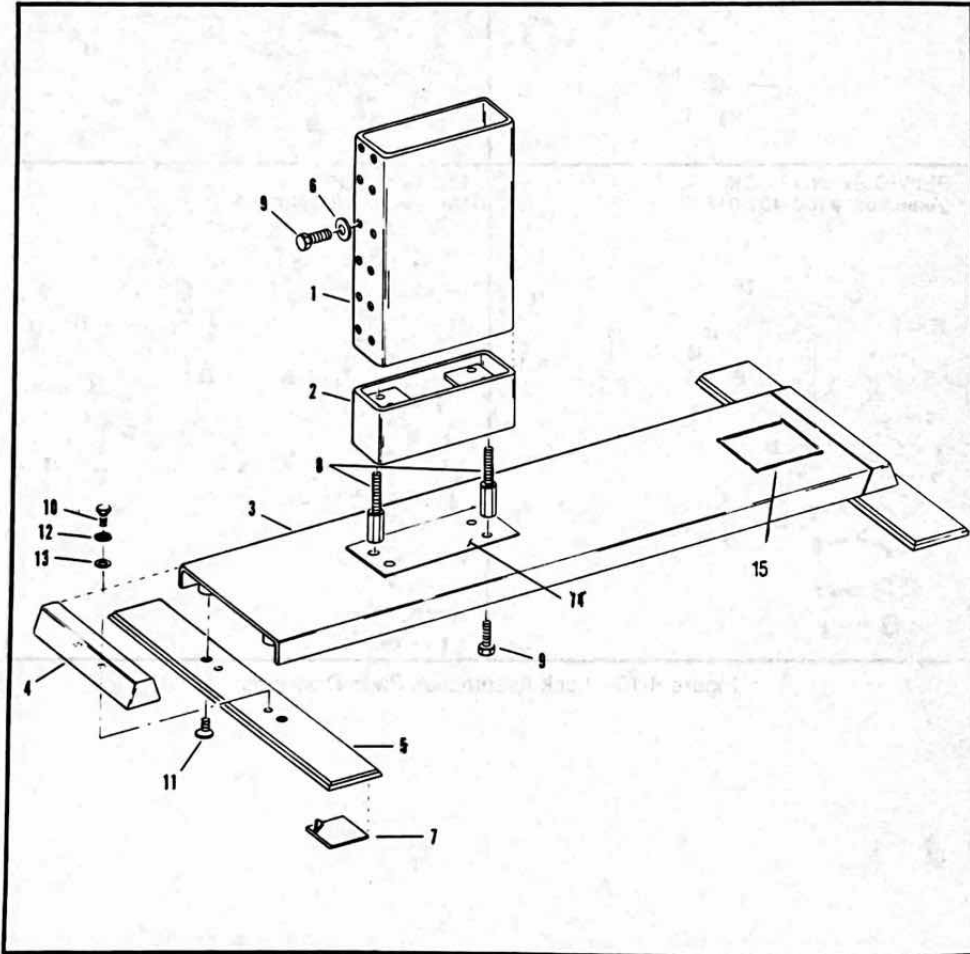


Figure 8-11—Base—Model 90 Parts Drawings

Tension Indicator Parts

ITEM NO	PART NO	DESCRIPTION	QTY
1	380-288-00	Tension Indicator	1
2	310-747-00	Indicator, Backing Plate	1
3	254-044-00	Tension Decal, Right	1
	254-044-01	Tension Decal, Left	1
4	S14-010-24	Screw, 10-24 x 1 1/2 Slotted Round Head	2

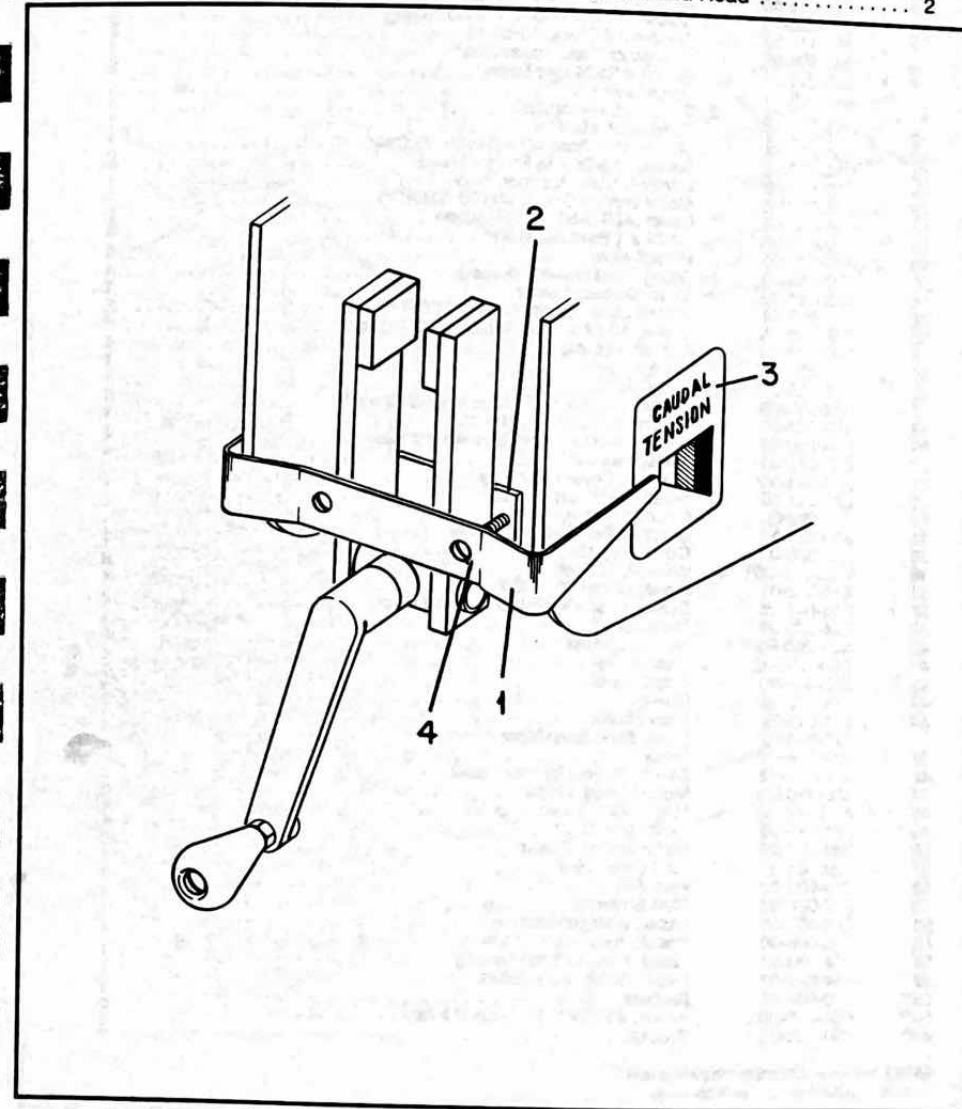


Figure 8-12—Tension Indicator Parts Drawing

Base—Model 95 Parts

ITEM NO	PART NO	DESCRIPTION	QTY
1	100-413-01	Abdominal Cushion Assembly	1
	100-413-04	Abdominal Cushion Assembly (w/Drop)	1
2	S16-250-14	Screw, 1/4-20 x 1/8 Hex Head	8
3*	380-204-00	Bracket, Abdominal-Flexion	4
4	380-114-00	Plate, Handle/Switch	2
5	221-013-00	Switch, Raise/Lower Button	4
6	S18-250-12	Screw, 1/4-20 x 3/4 Soc. Button Head	2
7	380-111-00	Abdominal Cushion Handle	2
8	380-184-00	Connector Plate, Abdominal	1
9	S23-010-14	Screw, #10-24 x 7/8 Sems	2
10	224-005-01	Strain Relief	1
11	220-007-04	Coil Cord, Retractable	1
12	222-012-01	Connector, Male	1
13	100-477-01	Main Frame Assembly (Model 95 Only)	1
14	S14-010-06	Screw, #10-24 x 3/8 Phillips Head	2
15	380-112-00	Control Cable Retainer Plate	1
16	262-042-00	Motor Shroud Cover, (AUTO-STOP™)	1
17	254-034-02	Label (AUTO-STOP™) Caution	2
18	S98-010-16	10-24 x 1 Bind HD Nylon	4
19	310-720-00	Pivot Sleeve	4
20	270-140-00	Safety Deck Spacer (Foam)	4
21	362-041-00	Motor Shroud, Lower	1
22	221-012-04	Switch Snap, Safety (AUTO-STOP™)	2
23	S14-010-08	Screw, 10-24 x 1/2, Phillips Round Head	4
24	N99-010-03	Nut, #10-24 Weld	4
25	237-035-00	Clamp	1
26	224-033-01	Capacitor	1
27	S14-010-06	Screw, 10-24 x 3/8, Phillips Round Head	4
28	380-183-00	Mounting Bracket, Capacitor	1
29	S14-250-08	Screw, 1/4-20 x 1/2, Phillips Round Head	4
30	237-017-00	Tinnerman Clip	4
31	380-043-00	Bracket, Cover Mounting	4
32	221-011-00	Sure Lock™ Key Switch	1
33	221-008-00	Circuit Breaker, 5 Amp	1
34	380-181-00	Bracket, Key Switch/Breaker	1
35	222-006-00	Connector, BX	1
36	W03-250-00	Washer, 1/4 Lock	8
37	215-003-01	Motor, Model 95, 110V	1
38	S14-008-06	Screw, 8-32 x 3/8 Phillips Round Head	2
39	224-023-00	Transformer	1
40	N01-250-00	Nut, 1/4-20 Hex	8
41	W01-375-00	Washer, 3/8	2
42	252-003-00	Foam Tape	3
43	224-022-00	Relay	2
44	211-015-01	Fuse Holder	1
	224-042-02	Fuse, 3AG, Slow-Blow .6 Ampere	1
45	224-034-00	Timer	1
46	S16-375-12	Screw, 3/8-16 x 3/4 Hex Head	2
47	380-260-00	Motor Mount, Upper	2
48	N13-010-00	Nut, 10-32 Elastic Stop	4
49	261-013-00	Motor Mount	4
50	380-261-00	Motor Mount, Lower	2
51	220-001-01	12' Power Cord	1
52	263-002-00	Pad, Felt	1
53	237-036-01	Plug Button	4
54	254-053-00	Label, Voltage Warning	1
55	225-006-00	Pouch, Instruction Manual	1
56	254-053-04	Label, Power Cord Warning	1
57	254-028-02	Label, Safety Instructions	1
58**	310-804-00	Bumper	1
59**	S02-010-20	Screw, #10-24 x 1 1/4 Socket Head	2
60**	380-330-00	Bracket	2

* On 95 w/Drop, Quantity required is 4
 ** Indicates used on 95 w/drop only.

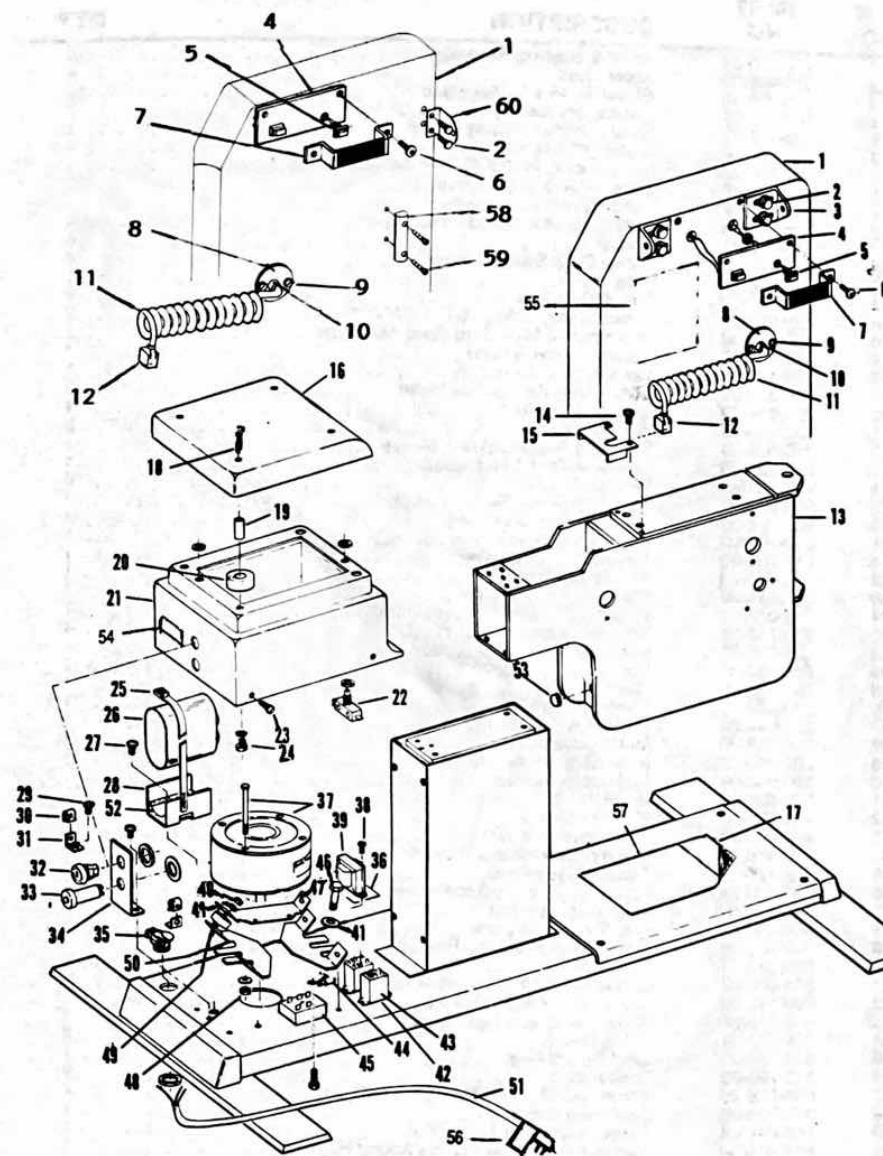


Figure 8-13—Base—Model 95 Parts Drawings

Column—Model 95 Parts

ITEM NO	PART NO	DESCRIPTION	QTY
1	100-470-00	Roller & Bushing Assembly	16
2	310-698-00	Roller Shaft	4
3	S16-375-14	Screw, 3/16-16 x 7/8 Hex Head	1
4	280-178-00	Column Shroud	1
5	280-179-00	Column Shroud Access Plate	4
6	S55-006-06	Screw, #6 x 3/8 Phillips Pan Head Tap	1
7	100-474-00	Safety Deck, AUTO-STOP™ Assembly (incl. labels)	2
8	254-034-02	Label, AUTO-STOP, Caution	1
9	254-028-02	Label, Safety Instructions	4
10	S98-010-16	Screw, 10-24 x 1 Blind Head, Nylon	4
11	310-720-01	Spacer	4
12	270-140-00	Safety Deck Spacer, Foam	1
13	237-036-02	Plug	4
14	N01-010-00	Nut, #10-24 Hex	2
15	221-012-04	Switch Snap, Safety, AUTO-STOP™	1
16	100-466-00	Intermediate Slide Stop Plate Assembly	1
17	310-701-00	Sleeve, Screw Grease	1
18	100-487-00	Elevating Nut Assembly	2
19	S16-312-20	Screw, 5/16-18 x 1 1/4 Hex Head	1
20	283-074-00	Elevating Screw	2
21	237-043-00	Woodruff Key	1
22	310-700-00	Elevating Screw Bearing Sleeve	4
23	S16-250-16	Screw, 1/4-20 x 1 Hex Head	6
24	W02-250-00	Washer, 1/4 SAE	1
25	310-699-00	Elevating Screw Bearing Block	1
26	232-022-00	Elevating Screw Bearing	1
27	310-707-00	Elevating Screw Spacer Sleeve	1
28	310-708-00	Elevating Screw Pulley	1
29	N10-500-01	Nut, 1/2-20, Jam	1
30	237-045-00	Fitting, Lube	1
31	382-022-01	Base	4
32	310-716-00	Pin, Pan Support	4
33	261-015-00	Stick-On Feet	1
34	265-003-00	Pad	1
35	237-035-00	Clamp	1
36	280-182-00	Base - Bottom Pan	1
37	237-044-00	Drive Belt	1
38	310-713-00	Motor Drive Pulley	1
39	282-040-00	Inner Slide Assembly	1
40	220-007-04	Coil Cable, Retractable	12
41	310-698-01	Roller Shaft, Eccentric	16
42	281-052-00	Column Glide Button	16
43	260-010-00	Slide Tension Washer	16
44	100-465-00	Column Side Plate & Base Assembly	1
45	380-177-00	Column Base Plate	4
46	S91-500-24	Screw, 1/2-20 x 1 1/2 Soc Flat Head	4
47	N10-500-01	Nut, 1/2-20 Jam Nut	2
48	N08-312-00	Nut, 5/16-18 Hex Lock	4
49	310-703-00	Limit Switch Rod Mtg. Bracket	1
50	222-013-01	Socket	1
51	S14-006-03	Screw, 6-32 x 3/16 Phillips Round Head	2
52	280-116-00	Upper Strain Relief Bracket	2
53	S16-250-08	Screw, 1/4-20 x 1/2 Hex Head	2
54	224-004-01	Strain Relief	1
55	310-704-00	Limit Switch Rod	1
56	310-706-00	Limit Switch	2
57	S14-006-20	Screw, #6-32 x 1 1/4 Phillips Round Head	4
58	310-705-00	Limit Switch Actuator	1
59	S02-010-04	Screw, #10 - 24 x 1/4 Soc Set	1
60	S14-010-06	Screw, #10 -24 x 3/8 Phillips Round Head	1
61	280-115-00	Lower Strain Relief Bracket	1
62	254-053-00	Label, Shock Warning	1

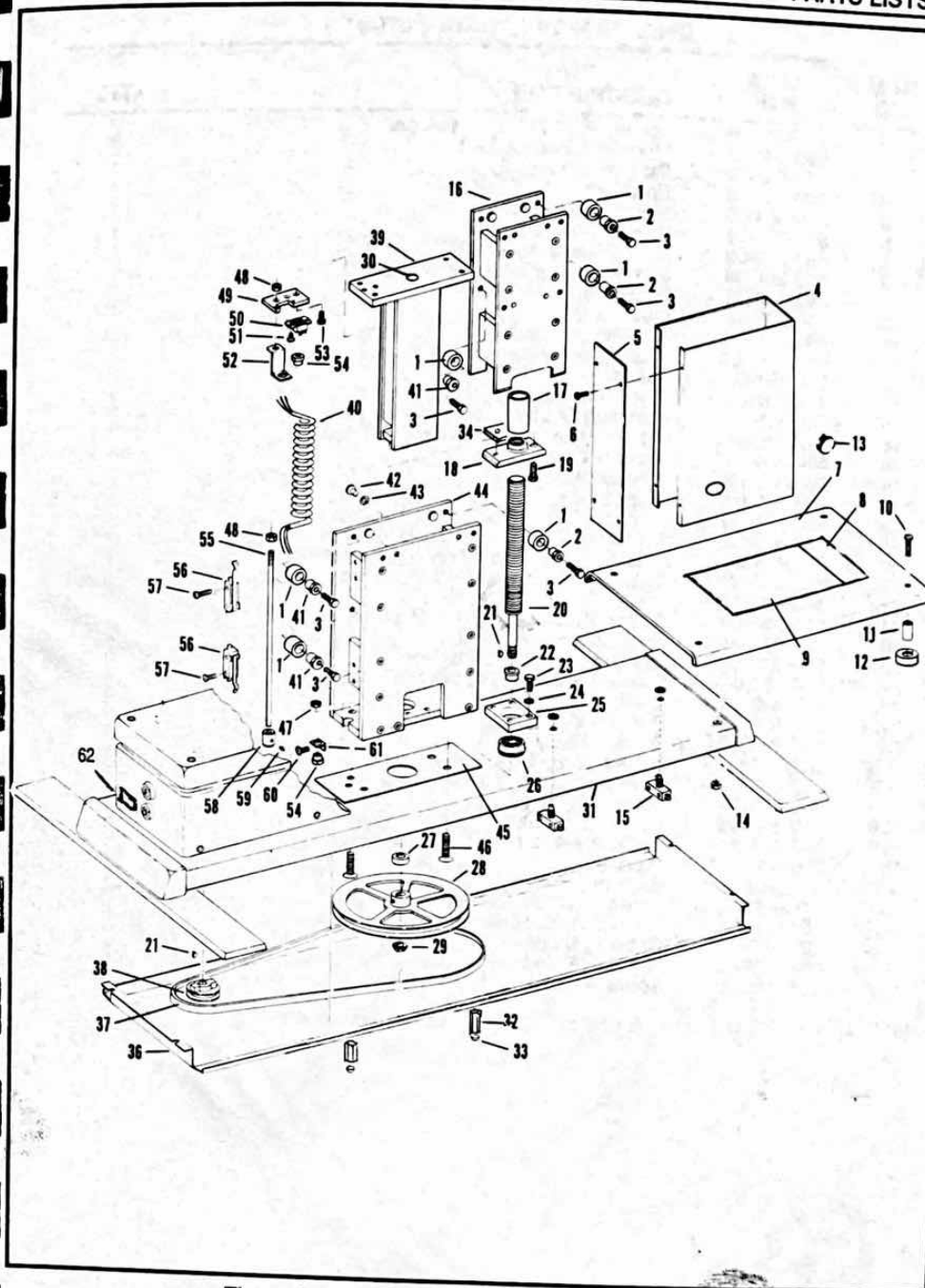


Figure 8-14—Column—Model 95 Parts Drawings

Drop Assembly (Low Force™)

ITEM NO	PART NO	DESCRIPTION	QTY
1	S16-312-28	Screw, 5/16-13/4 Lg. Hex Head	2
2	380-345-01	Mounting Bracket, Left	2
3	310-800-01	Side Plate, Left	1
4	306-004-HO	Drop Latch	1
5	233-061-00	Spring Drop Latch	1
6	310-720-00	Spacer Tube, Plastic	1
7	100-649-00	Spring Guide Assembly	1
8	S02-250-06	Screw, 1/4-20 x 3/8 Lg. Socket Set	1
9	283-100-00	Eccentric	1
10	310-802-00	Latch Stop	1
11	N01-010-00	Nut #10-24 Hex Head	2
12	W04-010-00	Washer, #10 Internal Lock	2
13	310-801-00	Spacer	2
14	310-800-00	Side Plate, Right	2
15	380-345-00	Mounting Bracket, Right	2
16	S12-010-06	Screw, #10-24 x 3/8 Phillips Bind Head	1
17	280-344-00	Brake Spring	1
18	306-007-00	Adjusting Brake	1
19	269-010-00	Brake Lining	1
20	S16-010-20	Screw, #10-24 x 1 1/4 Lg. Hex Head	1
21	310-805-00	Adjusting Shaft (Used on 100-650-00)	1
22	310-805-01	Adjusting Shaft (Used on 100-650-01)	1
23	310-382-00	Collar, 3/8 I.D. x 3/4 O.D. x 1 1/2 Thick	1
24	W06-250-00	Washer, 1/4 Split Ring Lock	1
25	S16-250-10	Screw, 1/4-20 x 5/8 Lg. Hex Head	1
26	100-647-00	Cocking Shaft Assembly	2
27	N03-312-00	Nut, 5/16-18 Hex Elastic Stop	6
28	S19-250-08	Screw, 1/4-20 x 1/2 Lg. Socket Flat Head	1
29	310-803-00	Lift Bar	1
30	283-107-00	Drop Pawl	1
N/S	P00-250-05	Pin 1/4 x 5/8 Lg. Roll	2
N/S	232-007-00	Nyliner Snap-In BL1-FF	2
N/S	232-007-01	Nyliner Bearing 6L1-FF	2
N/S	302-215-01	Lever	2
N/S	310-378-00	Collar Pelvic Stop	2
N/S	310-750-01	Cocking Handle Rod	2
N/S	310-304-00	Bumper	1
N/S	380-346-00	Bracket Plate	2
N/S	S16-312-10	Screw, 5/16-18 x 5/8 Hex Head	4
N/S	262-008-01	Knob Ball, 3/8-16 Female Thread	2
N/S	280-203-01	Cocking Collar	2
N/S	N02-375-01	Nut, 3/8-16 Heavy Hex Jam	2
N/S	S17-010-16	Screw, #10-24 x 1 Socket Head	2

Note: "N/S" in Number Column indicates that part is not shown on drawing.

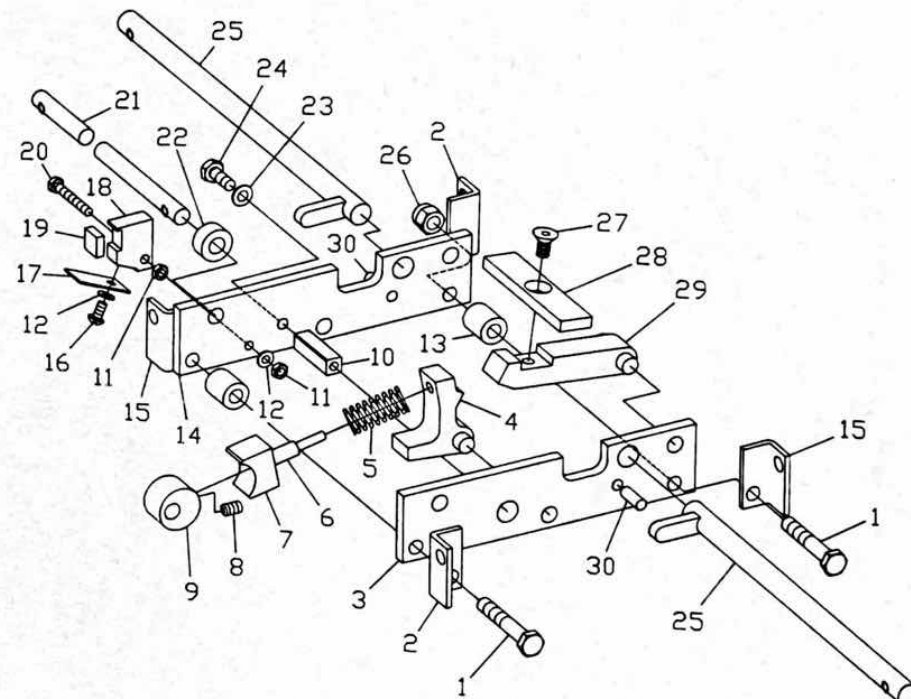
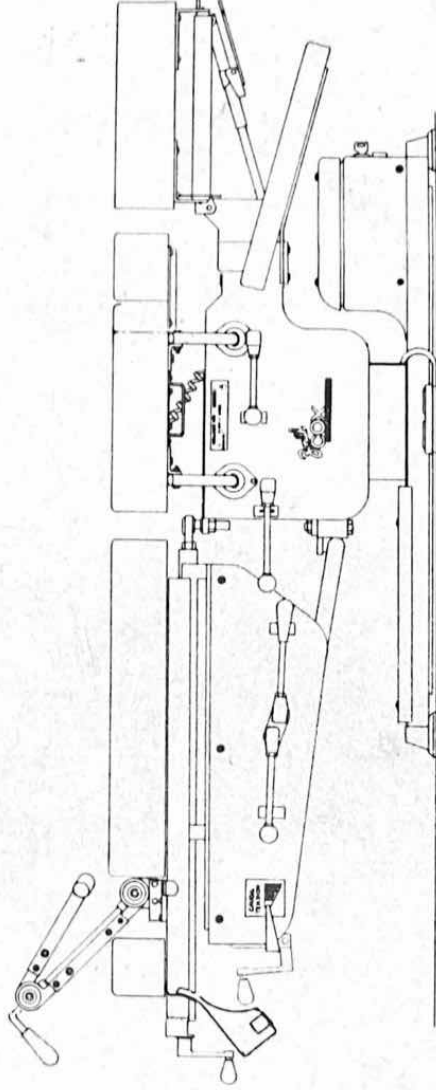


Figure 8-15—Low Force™ Drop

Instruction Manual

Zenith
ZOCOX[®]
FLEXION TABLE



MODEL: **0095DPB**
S.N.: **GJ65099**

Date: JUL 3 1 1991

**WILLIAMS
MANUFACTURING**
158 N. Edison Ave.
Elgin, Illinois 60123
708/741-3650



**IMPORTANT INSTRUCTIONS FOR OPERATION OF YOUR
TABLE ARE ENCLOSED. READ CAREFULLY BEFORE
OPERATING TABLE TO HELP INSURE SAFE AND EFFICIENT
USE.**