

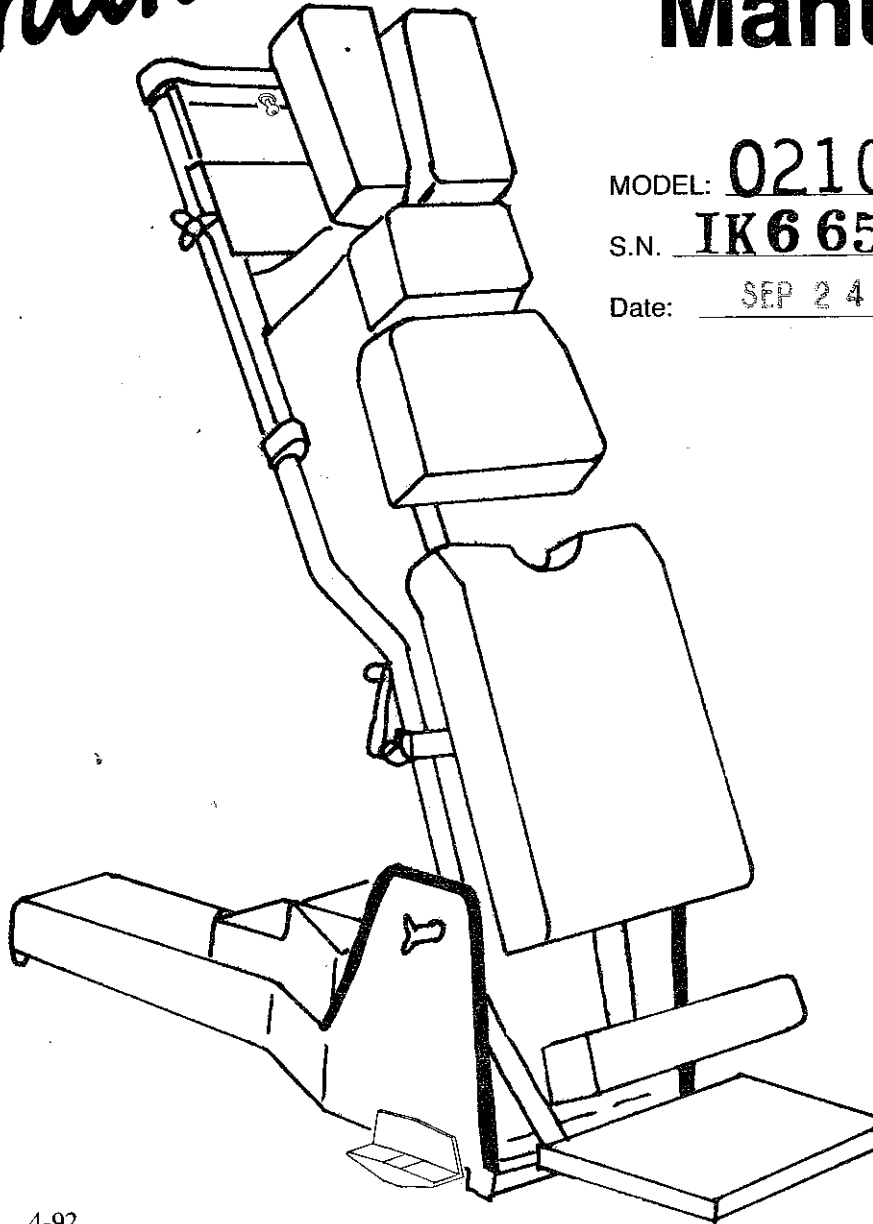
Zenith®

Chiropractic Table Instruction Manual

MODEL: 0210SP

S.N. IK66587

Date: SEP 24 1992



I00-030

4-92

*BEFORE USING THE ZENITH CHIROPRACTIC TABLE
THE PRACTITIONER SHOULD BE COMPETENT IN
CHIROPRACTIC TECHNIQUE.*

*IMPORTANT INSTRUCTIONS FOR OPERATION OF
YOUR TABLE ARE ENCLOSED. READ CAREFULLY
BEFORE OPERATING TABLE TO HELP INSURE SAFE
AND EFFICIENT USE.*

Zenith

**WILLIAMS
MANUFACTURING**
158 N. Edison Avenue
Elgin, Illinois 60123
708/741-3650

 Standex company



MODEL 210 Utility Table

TABLE OF CONTENTS

SECTION/PAGE

Using Your Table Safely	S	
<i>Hazard Symbol Explanation</i>		1
<i>Hazard Identification</i>		1
<i>Warning Labels on Table</i>		3
<i>Safety Check List</i>		5
Introduction	A	
<i>Introduction and Warranty</i>		1
<i>Installation</i>		2
<i>Installation Check List</i>		6
<i>Setting Up the Patient</i>		7
Front Section	B	
<i>Operation and Adjustment</i>		
<i>Section Height Adjustment</i>		1
<i>Headpiece</i>		1
<i>Parts List</i>		
<i>Front Section</i>		4
<i>PFS-Power Front Section™ (If so equipped)</i>		6
Pelvic Section	C	
<i>Operation and Adjustment</i>		1
<i>Parts List</i>		2
Footboard and Relaxer	D	
<i>Operation</i>		1
<i>Parts List</i>		2
Cushions	E	
Base	F	
<i>Operating Instructions</i>		1
<i>Trouble Shooting Guide</i>		3
<i>Parts List</i>		
<i>Base</i>		4
<i>Tube Assembly</i>		6
Care of Your Table	G	
Disposal	H	

Section S

USING YOUR TABLE

SAFELY

Zenith

**WILLIAMS
MANUFACTURING**
158 N. Edison Avenue
Elgin, Illinois 60123
708/741-3650

 a Stonex company

COPY

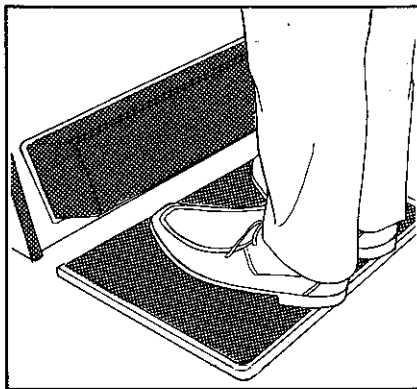
ZENITH® TABLE

Recommended Procedures for Safe Table Operation

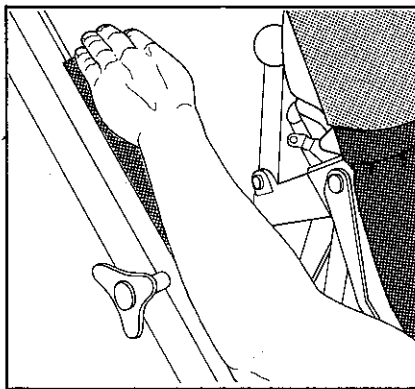
Safety Check List

- Explain and demonstrate proper use of table to all employees and require they read instruction manual before operation.
- Study instructions in manual for patient mounting and dismounting table and explain procedure to patients. Special care must be taken for children and unusually tall, short, or heavy patients.
- Explain proper placement of hands, arms and feet to all patients. Refer to instructions in manual.
- Maintain physical contact with patient while on table.
- Patient should not sit on table unless they are being treated.
- Keep your's and your patient's hands and feet away from moving parts when raising or lowering table. Failure to do so may result in severe injury.
- Keep unsupervised children away from the table and its moving parts including footboard, relaxer, and lowering table, at all times.
- Lower table and remove key when table is unattended.
- Follow the maintenance schedule provided in the manual. Service and repairs should be performed by authorized Zenith dealers using only original equipment replacement parts.

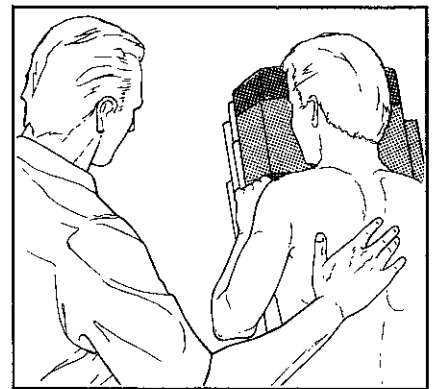
Proper Procedures



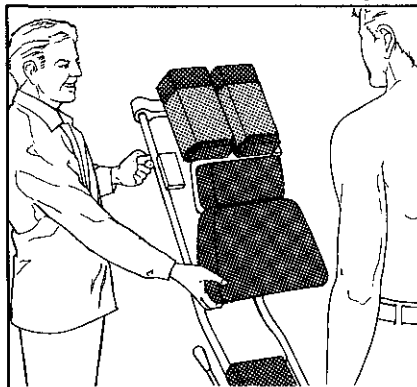
Be sure feet are positioned firmly on footboard.



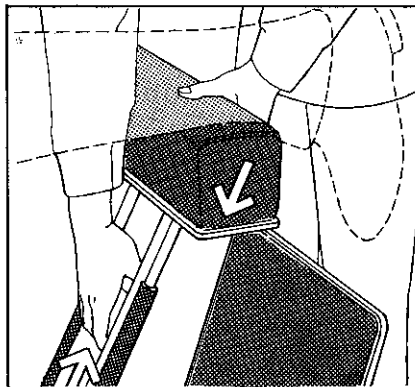
Place patient's hands on handrests only.



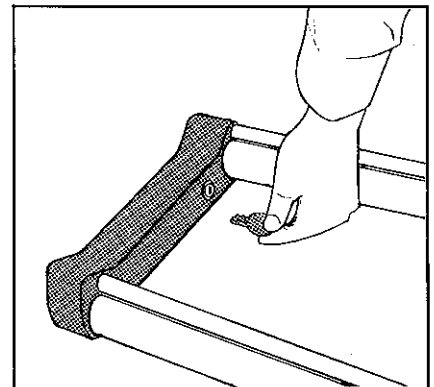
Attend patient while on table—keep others away from table.



Follow technique criteria for proper patient set-up before table operation.



Always lower ankle relaxer before raising or lowering table.



Always lower table and remove key when table is left unattended.

▲WARNING

DO NOT

Allow patients to place hands in base area, on tubes, or in moving parts as finger injury may occur.

DO NOT

Allow unattended children in room or near table as inadvertent actuation of table or contact with moving parts may cause injury.

DO NOT

Raise table without lowering ankle relaxer as patient's feet may not make proper contact with footboard.

DO NOT

Allow patient to place feet in relaxer or other moving mechanisms as serious injury may occur. Refer to correct procedures in instruction manual.

Zenith

Zenith—Continued Commitment to Safety

WILLIAMS MANUFACTURING  Standex company

158 N. Edison Ave. • Elgin, IL 60123 • 708-741-3650

HAZARD SYMBOL EXPLANATION

Learn to recognize safety information, and always follow recommended precautions and safe operating practices. Here is the safety-alert symbol:



When you see this symbol on your table or in this manual, be alert to the potential for personal injury or property damage.

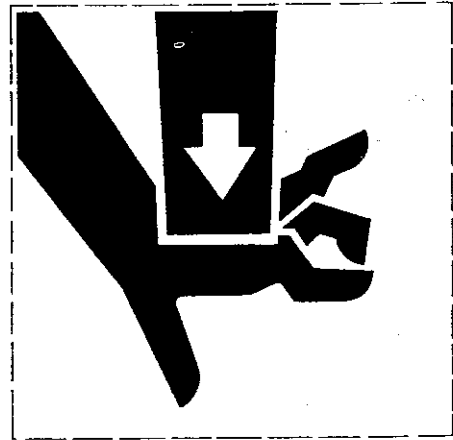
This manual uses the following words to identify hazards and potential problems:

This word: **Means this:**

WARNING You may cause severe personal injury or death if you ignore the message.

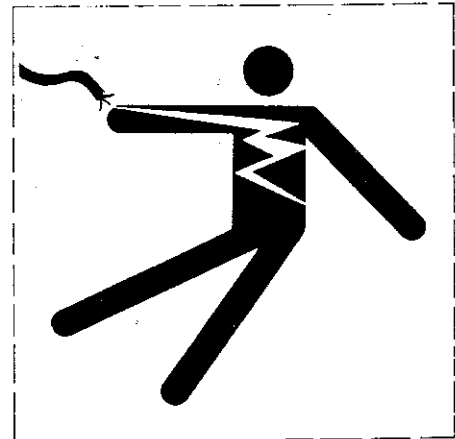
CAUTION You may cause minor injury or property damage if you ignore the message.

NOTICE This is important installation, operation, or maintenance information that you should pay special attention to. If you ignore this information, you may damage the table.

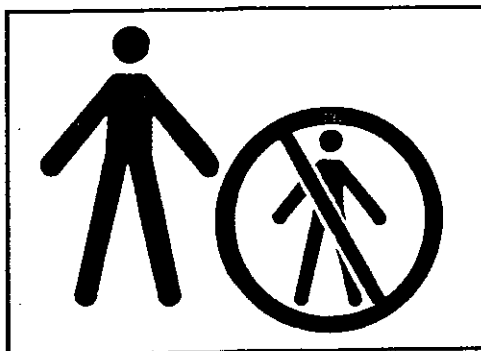


Do not allow patient to place hands or any other part of the body on any non-cushioned part of the table.

During table movement various parts of the table come into close contact. Body parts caught between these moving parts could be pinched or injured.



HAZARD IDENTIFICATION



Do not allow children that are not being treated near the table

A child may place hands or other parts of the body in linkages or under the table where pinching or injury could occur during table movement.

Connect table only to an outlet that is grounded and connected to a properly fused/circuit breaker controlled circuit. Make sure cord is in good condition.

An electrical malfunction on a table not properly grounded could cause electrical shock.



Do not use any external electrical equipment on patients while on this table.

The table is grounded and any contact between the patient and metal parts of the table could cause electrical shock.

When using this table it is important to remember the following important points for patient safety:

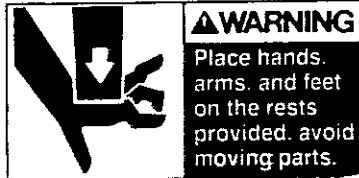
Placement of patients should only be done by qualified trained personnel.

Treatment of patients should only be done by a trained, licensed, chiropractic doctor.

This table is designed to operate only with patients that weigh 300 pounds or less. Treatment of patients up to 400 pounds is possible by placing table in its lowest position before patient mounts table. Do not attempt to power table with patients over 300 pounds or allow patients over 400 pounds on the table.

We recommend that periodic maintenance and repair of this table be done by authorized Zenith table dealers, using only Williams supplied replacement parts. Improper replacement of repair parts, or the use of non-Williams Manufacturing parts, may cause table malfunction and possible injuries. If you have any questions, consult with Williams Manufacturing or your authorized Zenith table dealer.

**WARNING: DECALS ARE FOR THE SAFETY OF THOSE IN CONTACT WITH THE TABLE.
DO NOT REMOVE**



PFS OPTION ONLY

REAR OF COVER UNDER COVER

STANDARD FOOTBOARD

TUCKAWAY FOOTBOARD

SAFETY INSTRUCTIONS

- This instrument should be used by qualified, trained personnel ONLY.
- The instruction manual must be thoroughly read and understood before using this instrument.
- Unattended patients or any untrained persons should not sit on or attempt to operate this product.
- Do not use any external electrical equipment on patients while on this table to avoid possible electric shock.
- Keep children away from moving table.



Lower ankle rest before raising table.



CAUTION



Do not place foot under footboard.

Section A

INTRODUCTION

Zenith

**WILLIAMS
MANUFACTURING**
158 N. Edison Avenue
Elgin, Illinois 60123
708/741-3650

 a **Standex** company

SECTION A. INTRODUCTION

INTRODUCTION AND WARRANTY

Congratulations! You have invested in a Zenith II Chiropractic adjusting table, used by more doctors worldwide than any other brand.

Your Zenith II table will provide many years of excellent service. By following the instructions outlined in this manual, you should enjoy virtually trouble-free operation. When you invest in a ZENITH adjusting table, you can be confident it's the finest adjusting table in the world.

NOTE: *Attached warranty card must be completed and returned to properly document purchase and warranty of table.*



Zenith® Table Limited 5 Year Warranty

All Zenith® Tables (and parts thereof) manufactured and sold by Williams Manufacturing ("Williams") are warranted to be free from defects in material and workmanship (except upholstery) for a period of five years from the date of shipment.

If notice of a claim is made within the first three years, Williams will repair or replace, at its option, the part(s) which is defective. During the fourth year Williams will repair or replace, at its option, at 50% reimbursement of suggested list price, the part which is defective. During the fifth and final year Williams will repair or replace, at its option, at 25% reimbursement of suggested list price, the part which is defective. **Labor is excluded.**

'Heritage' Upholstery is warranted for a period of one year against embrittlement, fading and cracking; normal wear and tear, or damage due to improper cleaning is not warranted.

To validate this warranty, the warranty card must be returned within thirty days of installation. **No warranty coverage will be extended unless the registration card has been received by Williams Manufacturing.** Williams 5 Year Limited Warranty coverage applies to Zenith Table products purchased for use within the United States and Canada only. Intersegmental traction, Traveler Portable and Advantage tables as well as products supplied to other countries will be covered by a one year parts warranty.

The Customer must have the warranted product checked out periodically by an Authorized Zenith® Table dealer where available to insure good table operating condition is maintained. Williams reserves the right to void this warranty if non-Zenith repair parts or non-qualified repairpersons are used. This extended warranty coverage is transferrable to a new owner during the warranty period, provided the new owner notifies us in writing within 30 days following purchase.

Defective conditions caused by misuse, abuse, acts of God, accidents, abnormal use or stress, modifications or any other matter unrelated to Williams and beyond its reasonable control are not covered.

THIS WARRANTY IS EXCLUSIVE AND IS IN LIEU OF ALL OTHER WARRANTIES, EXPRESS AND IMPLIED, INCLUDING THE IMPLIED WARRANTIES OF MERCHANTABILITY AND FITNESS FOR PURPOSE. In no event shall Williams be liable for loss of use, revenue or profit or for indirect or consequential damages.

INSTALLATION OF ALL MODELS

CAUTION:

- (1) DO NOT cut the transportation strapping that holds the frame to the base. If the table is equipped with a Tuck-A-Way footboard, do not remove the 1 x 2 inch board that braces the footboard mechanism, until the table is in its final position.
- (2) DO NOT rest the weight of the table on the footboard mechanism. Use a refrigerator dolly, when installation requires moving the table in restricted spaces. Improper handling can cause misalignment and unsatisfactory functioning.
- (3) DO NOT push on any cushion to move the table.
- (4) While moving the table, DO NOT allow anything to enter the base from beneath, where it might damage internal parts of the system.

UNCRATING

▲ CAUTION:

Before trying to move the table, be sure you **HAVE ENOUGH ASSISTANTS AND/OR MECHANICAL AIDS TO LIFT** Approximately 400 pounds of machinery **SAFELY**. Failure to obtain adequate assistance or equipment could result in serious injury due to lifting or sudden movement of the table.

Remove the screws driven into the sides and ends of the crate at their bottom edges. Lift the crate straight up off the table and set the crate aside.

Cut the strapping that holds the table to the pallet. Remove the blocks that prevent sideways movement of the table on the pallet. Carefully raise the front end of the table, then pull the front end to the side far enough to put the front transportation wheel on the floor. Making sure the table will not tip over, lift the back (footboard) end and set the transportation wheels on the floor.

NOTE:

Do not plug power cord into outlet or attempt to operate table until all installation steps are completed. Operation before all steps are complete could damage table.

TRANSPORTATION WHEELS

▲ CAUTION:

DO NOT OPERATE a Zenith II table WITH THE TRANSPORTATION WHEELS MOUNTED. If the wheels are not removed the table may tip and cause injury to a patient.

Place the table in its final position in the doctor's office before wheel removal. It is recommended that the wheels be saved for possible use in moving the table to another position.

▲ CAUTION:

USE A STABLE PROP (e.g., neatly stacked 2 x 6 lumber) to hold up the table for removal of the wheels. Use of an inadequate prop could cause the table to fall onto the installer.

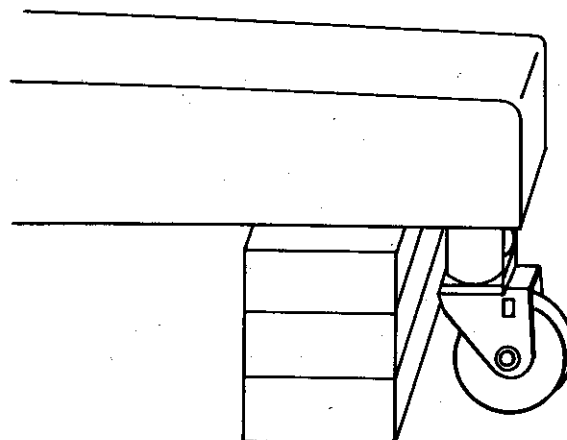


Figure A-1

Raise the front end of the table about 8 inches off the floor by propping up the table just behind the pivot wheel (Figure A-1). Remove the two bolts that hold the wheel to the base, and remove the wheel. If extensions were ordered, use the provided bolts to fasten the extensions where the wheel bolts have been removed. Install glides with the short threaded stem into the base or into the extension if so equipped. Lower the table to the floor.

Raise the rear end of the table about 6 inches off the floor by propping up the table in front of the wheels. (See Figure A-2.) Remove the nuts, bolts, and washers that hold the wheel bar to the table.

FOOTSWITCH AND GLIDES

Position the footswitch assembly under the rear of the table (Figure A-2). Place long glides through the footswitch assembly brackets, through holes in base, and lock with hex nuts. If extensions were ordered, use the provided bolts to fasten the extensions to the base, turning the extensions so the flat surfaces are to the side and front. Install the table leveling glides thru the footswitch brackets and into the extensions, then lock with hex nuts. Plug the control circuit cord into the footswitch assembly (Figure A-2). NOTE: The table will not work, if the footswitch assembly is not connected.

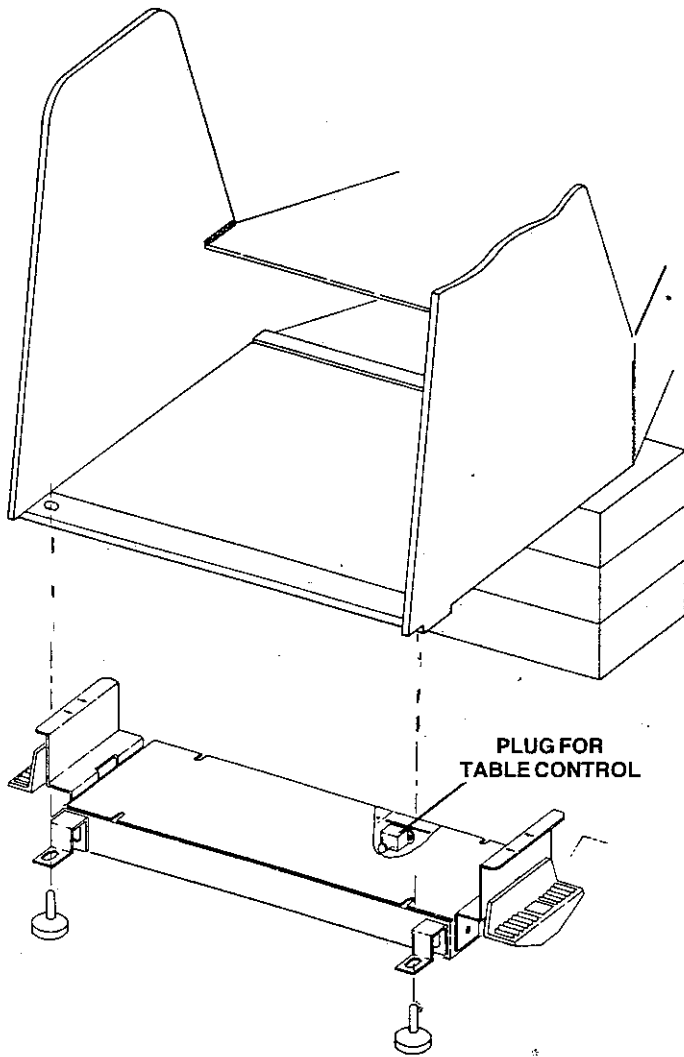


Figure A-2

LEVELING THE TABLE

Place a straight board on the cushions and a spirit level on the board. If necessary, adjust the glides so your table sits level and provides adequate toe clearance. Then tighten the hexagonal nuts to lock the glides in position.

PELVIC CRANK KNOBS

Remove the crank knob parts from the parts carton. Push each bolt through a knob (Figure A-3), then screw a nut onto the bolt. Screw the bolt into the crank handle. Adjust the nut, so it locks tightly against the handle but allows the knob to turn freely. Repeat this procedure for the other crank.

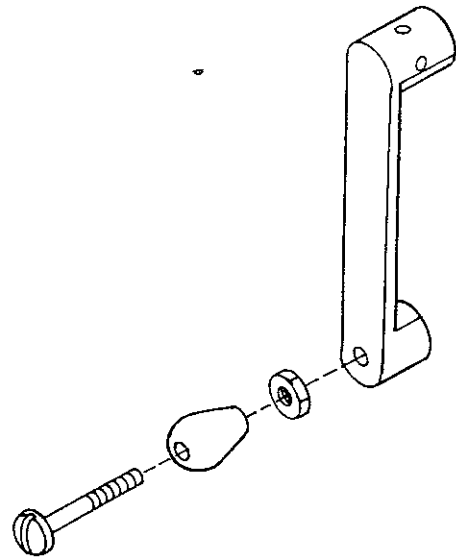


Figure A-3

OIL TANK BREATHER CAP

Remove the black plastic breather cap from the cloth bag. Raise the pelvic cushion by turning the crank. Replace the red plastic cap at the oil tank inlet (Figure A-4) with the breather cap.

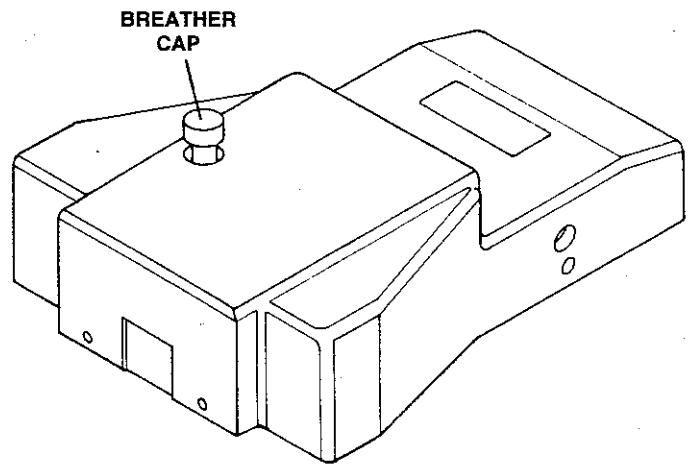


Figure A-4

NOTE:

DO NOT operate the table without the breather cap in place. Operation with red plastic cap could damage the hydraulic system or cause oil to blow out of the tank. Operation without a cap could allow oil to splash out of oil tank inlet.

ADDITIONAL INSTALLATION STEPS

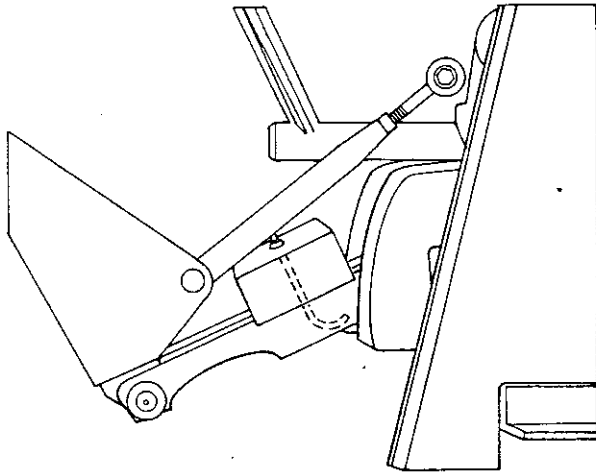


Figure A-5

Tuck-A-Way Footboard

The remaining transportation straps may now be removed from the table. Unfasten the J-hooks (Figure A-5) that hold the 1 x 2 board against the footboard mechanism, then remove the board. Save the board and J-hooks to provide protection, if the table must be moved again.

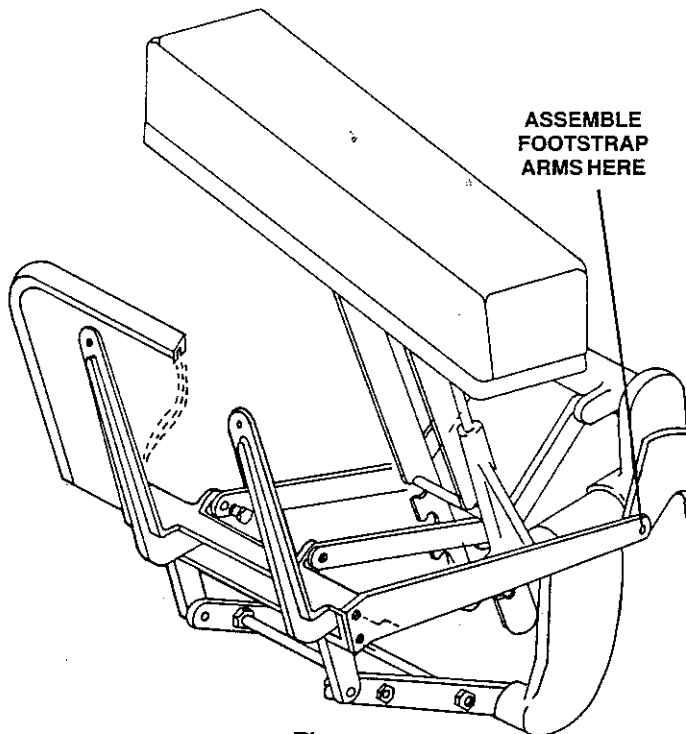


Figure A-6

Regular Footboard

Untie the footboard from the relaxer assembly (Figure A-6). Extend the footboard and fasten the free ends of the footstrap arms to the top hole in the rocker arms using the hex head shoulder bolts supplied. Tighten fully.

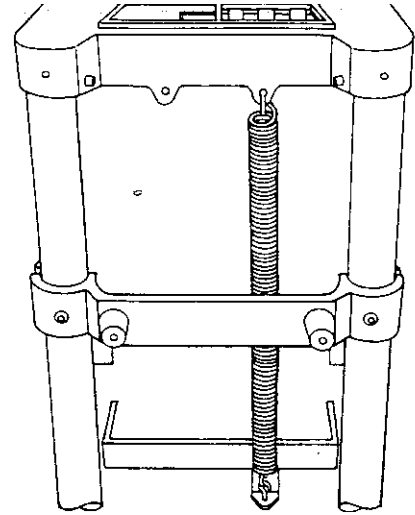


Figure A-7

FRONT SECTION SPRING

NOTE: The next paragraph does not apply to tables with a power front section.

Untie the front section spring from the front section slide rod (Figure A-7) and remove the paper. Slide the front section of the table to its fullest height and lock it in place. Hook one end of the spring into the eyebolt on the spring bracket and the other end of the spring into a hole in the end support casting.

NOTE: Two springs are required on Models 320 and 440 Thompson tables.

INSTALLATION OF MODEL 320

DORSAL AND LUMBAR COCKING PEDALS

This model is shipped with the footpedals in the withdrawn position. The footpedals should be lowered before use. To lower the footpedals, loosen the square backup nut (behind the outer strut) (Figure A-8) and reposition the inner pedal shank to the bottom pair of holes. Securely tighten the screws and nuts.

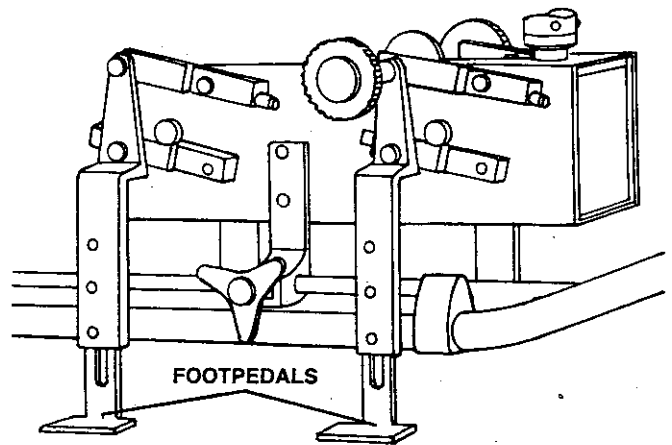


Figure A-8

INSTALLATION OF MODEL 440 (AIR THOMPSON TABLE)

AIR SUPPLY HOSE

Using the brass union from the parts carton, unscrew one end cap from the union and slide it over the free end of the hose that is already attached to the table. (See Figure A-

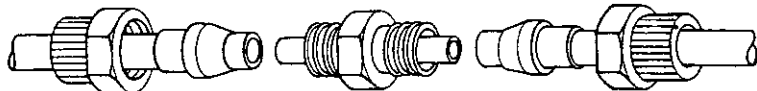


Figure A-9

9). Make sure the hexagonal end of the end cap faces outward from the table, so it is available for attachment of the union. Using $\frac{3}{8}$ " and $\frac{7}{16}$ " wrenches, screw the union tightly onto the end cap that has been placed on the hose.

Repeat the procedure on the other side of the union, using the loose coil of hose supplied with the table.

AIR COMPRESSOR

The Model 440 may be supplied with either a piston compressor or a quiet air compressor. If possible, install a piston compressor outside the adjusting room, e.g., in a clean basement or boiler room. A quiet air compressor may be installed in any convenient place. Always install either type

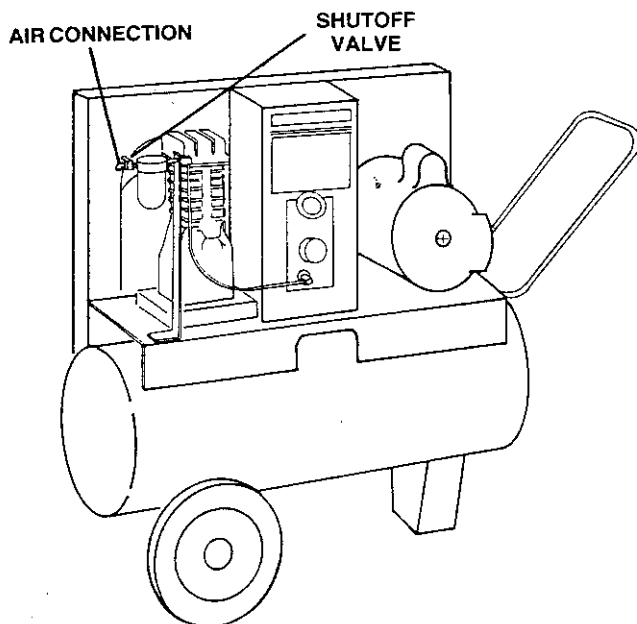


Figure A-10

of compressor indoors to minimize the accumulation of moisture in the compressor. Williams Manufacturing does not recommend installation in a film processing room, where corrosive fumes might shorten the life of the compressor.

The installation location must provide adequate ventilation to supply air for compression (up to 2.1 cubic feet per minute) and air for cooling. It may be advisable to consult a ventilation contractor or engineer.

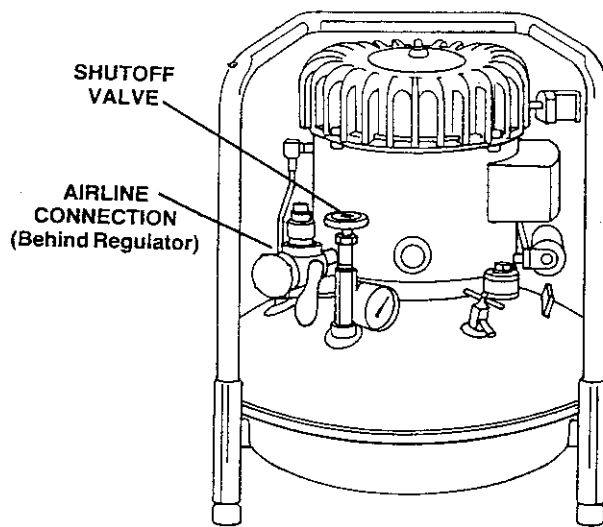


Figure A-11

Run the supplied air hose from the table to the compressor. Make sure the hose does not kink. Connect the hose to the compressor at the location indicated in Figure A-10 or A-11.

Plug the compressor power cord into a 115 volt, 15 amp AC electrical outlet. Open the valve (Figure A-10 or A-11) that releases compressed air to the table.

NOTE: To operate more than one table from a single compressor install a tee available from Williams Mfg. Confirm that the compressor is rated to serve the increased number of tables.

The compressor is preset at the factory to supply air to the table at a pressure of 70 to 90 PSI.

AIR TOUCH STRIP

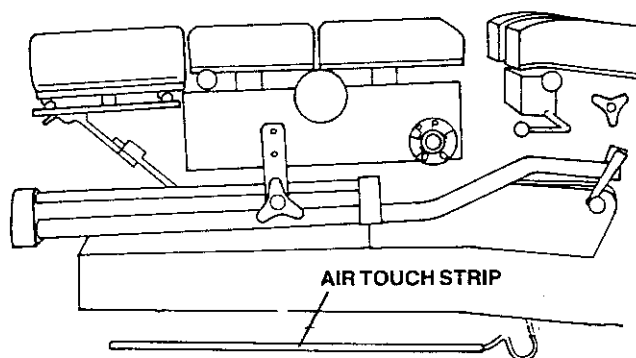


Figure A-12

Remove the two air touch strips from the shipping tube. Position a strip on each side of the base (Figure A-12), then plug in each strip at the polarized outlet provided on the base.

After determining the position preferred by the doctor, mark location, remove paper from self adhesive tape on back of touch strip, and press firmly on floor at position marked.

INSTALLATION CHECK LIST

- Are all shipping blocks and straps removed?
- Is the table properly supported (base in firm contact with level, hard surface)?
- Is the table properly located to avoid falling hazards (away from stairways, unprotected mezzanine edges, etc.)?
- Are all shrouds, covers and guards in place, operating freely, and free of damage?
- Are all surfaces and components free of sharp edges, cracks, and other signs of damage?
- Are all fasteners in place and adequately tightened?
- Are all warning labels in place and legible?
- Does the table operate smoothly, quietly, and without indications of binding or distortion?
- Do limit switches and other control functions operate properly?
- Have the table operation and the cautions and warnings found in this manual and on the safety placard been explained to the doctor and staff?

ELECTRICAL

- Are the plug and power cord in good condition, routed as supplied by Williams, and reach outlet without stretching?
- Is the electrical outlet grounded and connected to a properly fused/circuit breaker controlled circuit?
- If the outlet is beneath the table, is the cord free from pinching and wear?

WARNING

Failure to comply with these guidelines could result in electrical shock to you or your patient.

SETTING UP THE PATIENT

MOUNTING — PRONE POSITION

The mechanisms and normal motion of the table should be demonstrated to a first time patient by running the table through a full cycle. Demonstrating the mechanisms and normal operation of the table will decrease the patient's nervousness about beginning a new experience and thereby aid relaxation and facilitate more effective treatment.

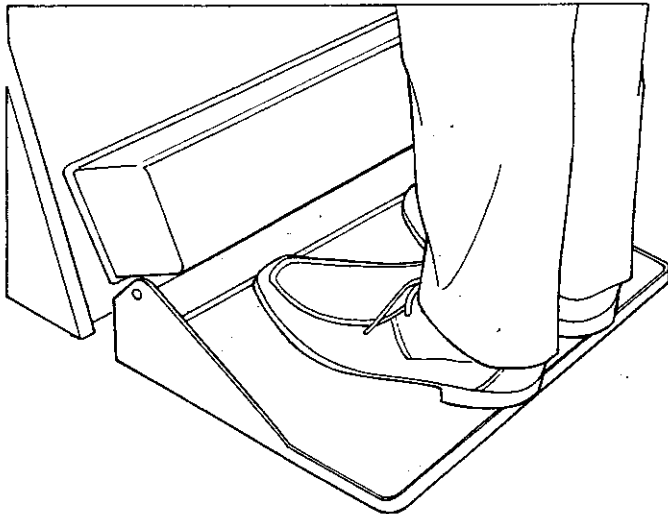


Figure A-13

With the table in the upright position, the patient should approach the table from the rear and step onto the footboard (Figure A-13). The patient's hands may be placed on the cushions, while the feet are positioned with toes up to the inside frame of the footboard (Figure A-13).

Adjust the height of the cushion units as directed in the Front Section and Pelvic Section portions of this manual, before patient leans onto table. Then instruct the patient to lean forward against the table and place his or her hands on the handrests provided at each side of the table.

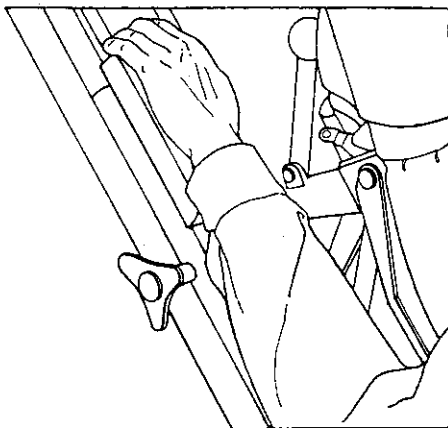


Figure A-14

(Figure A-14). If the patient is new, assist in positioning of the patient's hands, and warn the patient of the importance of keeping the hands on the handrests.

▲WARNING:

Placing a hand on any portion of the table below the cushions, other than the handrests, MAY RESULT IN SERIOUS HAND INJURY.

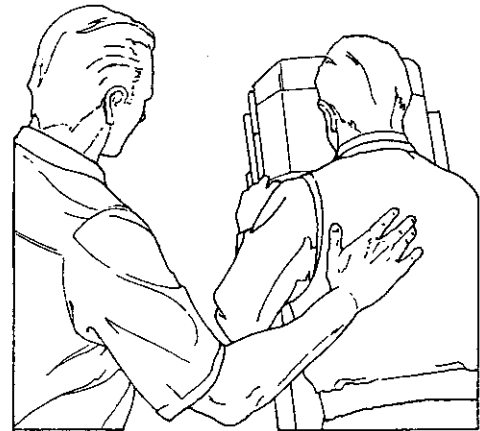


Figure A-15

Any time the table is being lowered or raised, stand beside the patient to prevent the patient from slipping off the table. Lightly place one hand on the patient's back to provide support, should it be needed (Figure A-15)

▲WARNING:

Before setting the table into motion, make sure **NO PART OF YOUR BODY** will be **IN THE PATH OF ANY MOVING PART** of the table. While the table is in powered motion, touch no part of the table other than electric controls. Failure to observe this warning could result in serious injury.

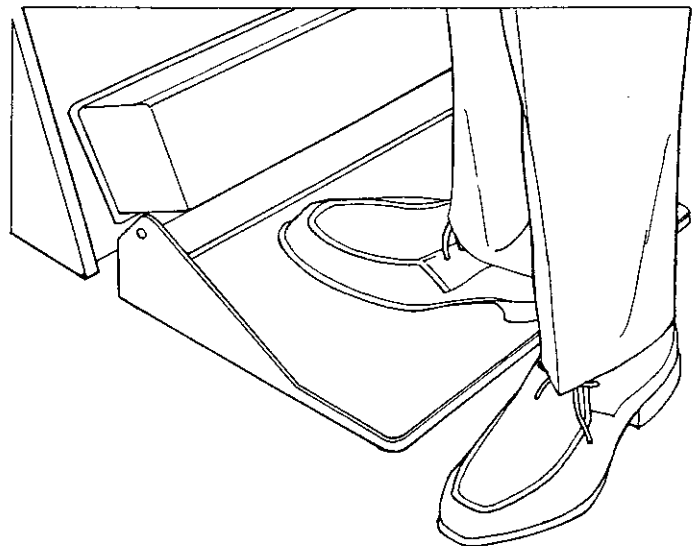


Figure A-16

When treatment has been completed, raise the table to the upright position. After the table has stopped movement, instruct the patient to push himself or herself upright and then carefully step off to the rear of the footboard (Figure A-16). Be alert for any indication of dizziness or other condition that could cause the patient to lose balance or trip and fall.

POSITIONS OTHER THAN PRONE

The table can be used to treat patients in the supine, side posture, and sitting positions.

To place a patient in the supine position, it is advisable to have the table in the upright position. While the patient is standing on the footboard, assist the patient in turning to face away from the table. While in the supine position, the patient **must** keep the hands across the chest or otherwise supported so they cannot drop below cushion level. It is especially important for the operator to assist a patient who is in the supine position, since the patient cannot grasp the handrests.

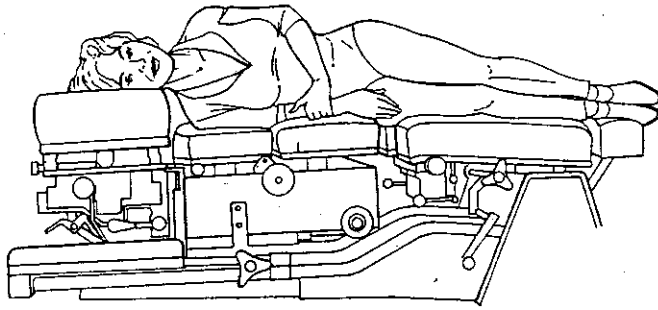


Figure A-17

To place a patient in the side posture position, first place the patient in the prone position and lower the table to the horizontal position. To turn the patient onto his or her right side, stand close to the right side of the table, and place your hand on the patient as you instruct him or her to roll from the prone position (Figure A-17). To place the patient on his or her left side, stand at the left of the table while assisting the patient. Return the patient to the prone position, before you raise the table to the upright position.

For treatment in the sitting position, first lower the table to the horizontal position and turn off the key switch. Then

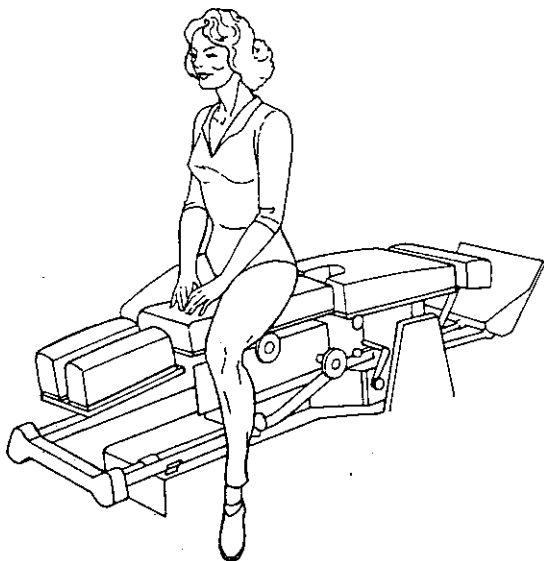


Figure A-18

direct the patient to sit on the table in the appropriate position (Figure A-18).

▲WARNING:

You and your patient must NEVER REST A FOOT OR HAND IN ANY PART OF THE TABLE MECHANISM. Unexpected movement of the table could result in severe injury.

PATIENTS OF UNUSUAL SIZE

By taking reasonable care and following these instructions, you can use the Zenith II table for very short patients or children and for extremely tall and/or heavy patients, within certain limitations.

The table can accommodate patients from 60" to 82" in height (for Models 320 and 440, from 62" to 80"). If the patient is shorter than 60", adjust the table to its minimum height, then lower the patient from the upright to the horizontal position. Carefully assist the patient in sliding on the table to a position where treatment can proceed.

▲WARNING:

The operator must PREVENT THE PATIENT'S FEET FROM DROPPING UNDER THE ANKLE RELAXER. If a foot is under the relaxer when the table is raised to the upright position, automatic motion of the relaxer will exert a downward force on the foot that may cause injury.

If the patient is taller than 82", adjust the table to its maximum height and then lower the patient from the upright to the horizontal position. Carefully assist the patient in sliding on the table to a position where treatment can proceed.

▲CAUTION:

After treatment of a very small or very tall patient, assist the patient in returning to a position where the FEET WILL CONTACT THE FOOTBOARD, when the table is raised to the upright position. FAILURE TO REPOSITION the patient could allow the patient to slip off the table and SUFFER INJURY.

The table is designed to function normally with patients weighing up to 300 pounds. We recommend you do not elevate/lower tables for patients that weigh over 300 pounds, and you do not use them at all for patients heavier than 400 pounds.

Section B FRONT SECTION

Zenith

**WILLIAMS
MANUFACTURING**
158 N. Edison Avenue
Elgin, Illinois 60123
708/741-3650

 a **Standex** company

SECTION B. FRONT SECTION

SECTION HEIGHT ADJUSTMENT

NOTE: If your table has a power front section, go directly to the separate instructions for power front section.

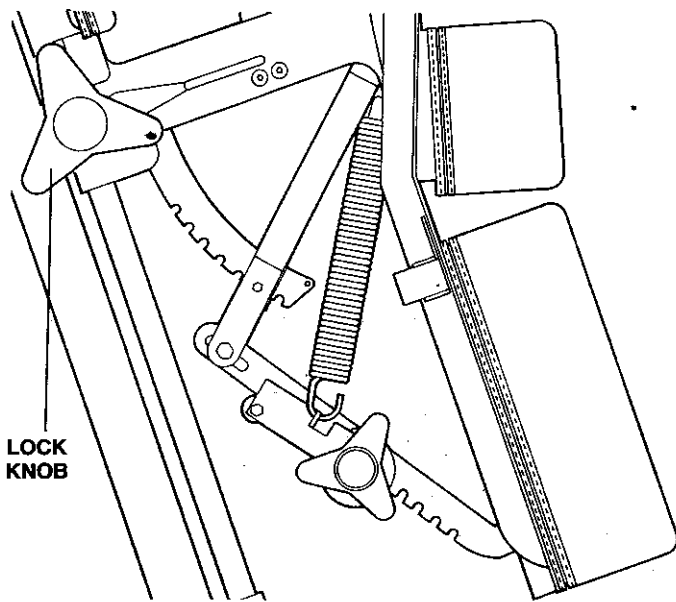


Figure B-1

The front section is spring counterbalanced for ease of adjustment. While the table is in the upright position, the entire front section can be moved to adapt the table to a taller or shorter patient. Loosen the 3-lobed lock knob (Figure B-1) and slide the section to the required height. Tighten the knob to lock the section in place.

⚠ CAUTION :

DO NOT LOOSEN the 3-lobed lock knob and **DO NOT MOVE** the front section while the table is **IN THE DOWN POSITION**. The spring tension may cause sudden movement of the front section, possibly causing injury to anyone in contact with the table.

HEADPIECE

ANGLE ADJUSTMENT

To set the angle of the headpiece, lift the tilt lever (Figure B-2) and adjust the headpiece to the desired angle for patient comfort. Then release the lever to lock the headpiece in position.

WIDTH ADJUSTMENT

The width between the headpiece cushions can be set at any of three positions. Lift the head shift lever (Figure B-3) under the left side of the headpiece, then pivot the lever toward the footboard, to move the cushions farther apart, or away from the footboard, to bring them closer together. Release the lever, so it drops into one of the three notches and locks in the spacing of the cushions.

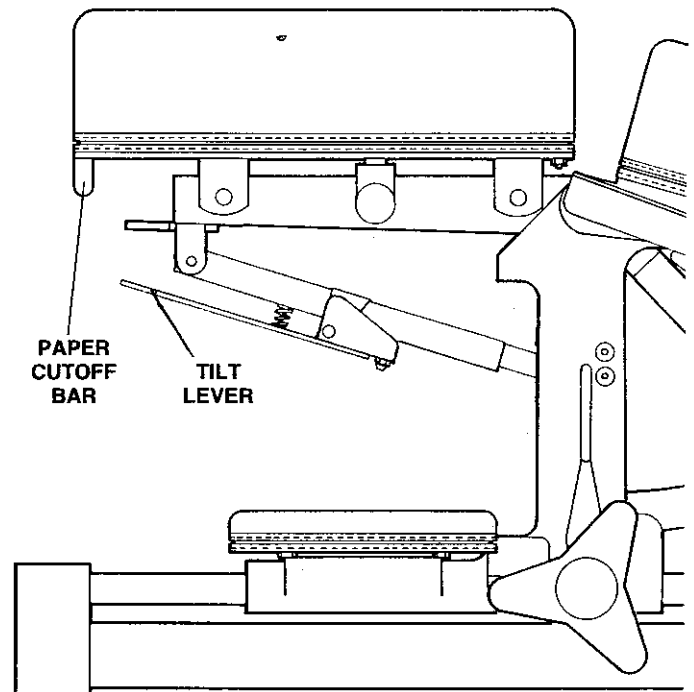


Figure B-2

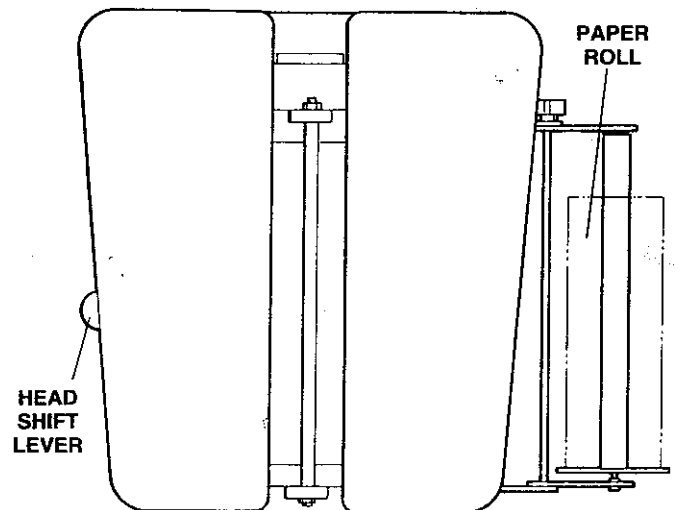


Figure B-3

PAPER ATTACHMENT

Pull the paper from the roll (Figure B-3) across the right face cushion. Feed the paper under the toweling rod and across the left face cushion. Pull the cutoff bar away from the left cushion. Let the paper hang alongside the cushion, so it extends below the cushion. Push the cutoff bar back under the cushion, until it catches in place. Tear off excess paper.

ABDOMINAL CUSHION

Angle Adjustment

To adjust the angle of the abdominal cushion, turn the tilt lever (Figure B-4) toward the headpiece with one hand and lift the cushion with the other hand. When the cushion reaches the desired angle, release the lever.

▲ CAUTION:
MAKE SURE THE CUSHION LOCKS INTO PLACE. Failure to lock cushion may permit it to fall when patient places weight on it, possibly causing injury.

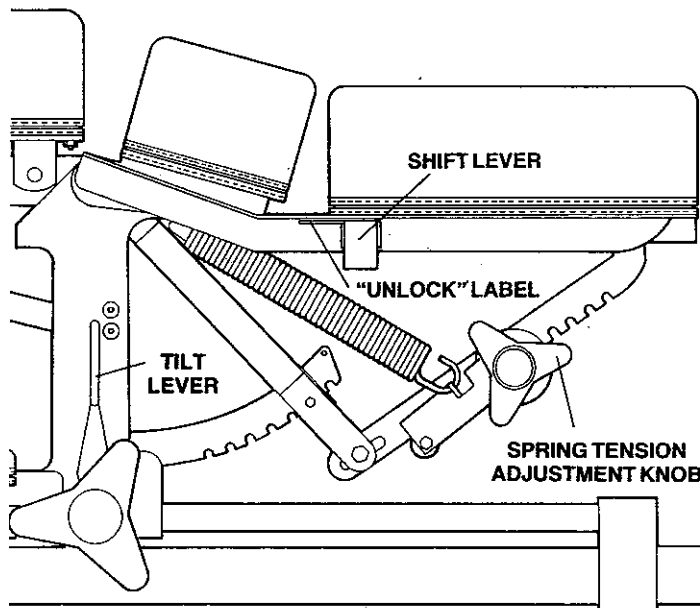


Figure B-4

Swing Down Feature

To allow the cushion to swing down, push the shift lever rod (Figure B-4) from the left side or pull it from the right side. If the cushion is depressed to the lowest position, a spring-loaded latch (Figure B-4) will lock the cushion in that position, and it will be necessary to operate the shift lever rod before raising the cushion. To lock the cushion back in the highest position, swing it up as far as it will go, then pull the rod from the left or push it from the right. The shift lever rod is labeled to indicate when cushion is unlocked.

▲ CAUTION:
PLACE SHIFT LEVER IN LOCKED POSITION WHENEVER TABLE IS UNATTENDED. Failure to do so will allow cushion to swing down whenever anyone places weight on it, possibly causing injury.

Swing Down Tension

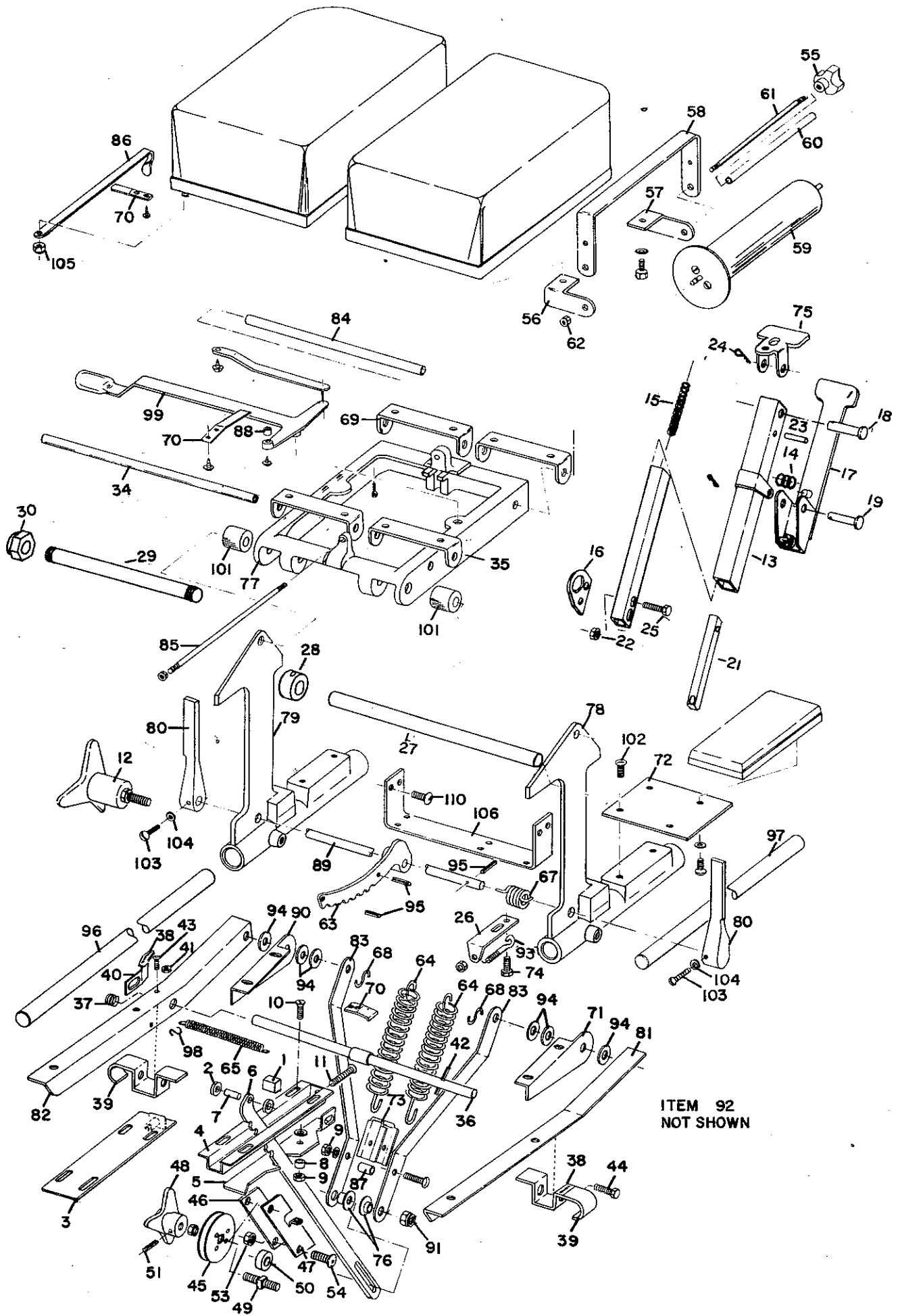
To adjust tension on the abdominal cushion,
a) increase tension by turning the adjustment knob (Figure B-4) in the direction that moves the adjusting mechanism toward the cushion, or
b) decrease tension by turning the knob in the opposite direction.

▲ CAUTION:
MAKE SURE THE ADJUSTING MECHANISM DROPS INTO A NOTCH any time an adjustment is made. If mechanism is not in a notch, sudden movement of the cushion may cause unexpected change in spring tension, which could injure a patient during treatment.

Parts List

ITEM NO.	PART NO.	DESCRIPTION	QTY	ITEM NO.	PART NO.	DESCRIPTION	QTY
1	261-003-00	BUMPER	1	56	280-092-00	MOUNTING BRKT PAPER HOLD-RT	1
2	265-001-00	FIBRE ROLLER	2	57	280-092-01	MOUNTING BRKT PAPER HOLD-LT	1
3	280-098-00	SQUARE TUBE PLATE	1	58	310-394-00	PAPER ROLLER BRACKET-ADJ.	1
4	280-099-00	SQUARE TUBE BODY	1	59	100-056-06	PAPER ROLL ASSY. (UNIVERSAL)	1
5	280-110-00	ABDOMINAL LOCK RATCHET	1	60	310-395-00	SPACER-PAPER HOLDER	1
6	310-015-01	LARGE ABDOMINAL NOTCHED BAR	1	61	310-396-00	ROD TIGHTENING PAPER HOLDER	1
7	310-017-00	DOWEL PIN 1/4 x 5/8	1	62	N04-010-00	NUT, ACORN 10-24	1
8	310-271-00	SPACER 1/4 x 22GA x 7/32 LG	1	63	100-241-00	ABDOMINAL NOTCH BAR ASSEMBLY	1
9	N03-010-00	NUT, 10-24 ELASTIC STOP	2	64	233-002-00	LARGE ABDOMINAL SPRING	2
10	S04-010-24	SCREW, 10-24 x 1 1/2 SLT FLT	1	65	233-003-00	SMALL ABDOMINAL LOCK SPRING	1
11	S13-250-36	SCREW, 1/4-20 x 2 1/4 SLT RDHD	1	66	233-010-01	FRONT SPRING EXTENSION 10"	1
12	100-061-00	KNOB ASSY FRONT SECTION	1	67	233-050-00	TORSION SPRING RIGHT	1
13	100-260-02	TILT OUTER TUBE ASSY	1	68	237-001-00	"S" HOOK 1 1/2	2
14	233-057-00	TILT LEVER SPRING	1	69	280-013-00	BRKT HD CUSH MTG	2
15	233-058-00	TILT SHOCK SPRING	1	70	280-031-00	FLAT CUT OFF BAR SPRING	3
16	280-299-00	TILT PIVOT PLATE	2	71	280-073-00	BREAST CUSHION MOUNTING ARM RT	1
17	282-054-00	TILT RELEASE LEVER ASSY	1	72	280-108-00	ARM REST BRACKET	2
18	310-066-01	PIN CLEVIS 1/4 x 1-9/16 LG.	1	73	280-119-00	ABDOMINAL NOTCH BAR RETAINER	1
19	310-386-01	PIN CLEVIS 1/4 x 1-5/32	1	74	S16-250-06	SCREW 1/4-20 x 3 HEX HD*	2
20	310-482-01	INNER TUBE PELVIC ADJ	1	75	280-191-00	PIVOT LEVER BRACKET ANGLE ADJ	1
21	310-760-00	SHOCK SPRING PUSHER	1	76	281-020-00	SWING ARM BUSHING	2
22	N03-250-00	NUT, ELASTIC STOP 1/4-20	3	77	300-052-00	FRAME HEAD MTG	1
23	P00-125-06	PIN, ROLL 1/8 x 3/4	1	78	300-109-02	FRONT SECTION CARRIER - RIGHT	1
24	P01-093-04	PIN, COTTER 3/32 x 1/2	2	79	300-109-03	FRONT SECTION CARRIER LFT	1
25	S16-250-20	SCREW, 1/4-20 x 1-1/4 HEX HD	2	80	302-215-00	ABDOMINAL RELEASE HANDLE FIN	2
26	310-409-00	SPRING HOOK*	1	81	310-020-00	BRACKET ABDOMINAL ANGLE RT	1
27	310-761-01	SHAFT TILT MECHANISM	1	82	310-020-01	BRACKET ABDOMIANL ANGLE LEFT	1
28	203-002-02	COLLAR, 9/16 I.D.	2	83	310-022-01	SWING ARM	2
29	310-767-01	FACE BRKT PIVOT SHAFT	1	84	310-023-00	ROD, HEAD FRAME	2
30	N02-437-00	NUT 7/16 ELASTIC STOP	2	85	310-025-00	PAPER ROD	1
31	S13-010-24	SCREW 10-24 x 1 1/2 SLT RD HD	1	86	310-027-00	TOWELING CUT OFF BAR	1
32	S16-312-28	SCREW 5/16-18 x 1 3/4 HEX HD	1	87	310-271-01	SPACER	1
33	S19-010-08	SCREW, 10-24 x 1/2 SOC FLT HD	4	88	310-302-01	SPACER 3/8 LG	1
34	310-023-02	REAR HD FRAME ROD	1	89	310-444-00	ABDOMINAL NOTCH BAR SHAFT	1
35	280-013-01	BRKT HD CUSH MTG REAR	2	90	280-073-01	BREAST CUSHION MTG ARM LFT	1
36	100-118-01	ABDOM BAR ASSY	1	91	N01-312-00	NUT, 5/16-18 HEX	1
37	233-051-00	ABDOM "UNLOCK" SPRING	1	92	233-020-02	FRONT SPRING*	1
38	254-038-00	ABDOM "UNLOCK" LABEL	2	93	S28-010-16	EYEBOLT 10-24 x 1"	1
39	280-124-00	ABDOM LOCK LEVER	2	94	W01-437-00	WASHER, 7/16 FLAT	6
40	280-125-00	UNLOCK INDICATOR, ABDOM	1	95	P00-156-08	PIN, ROLL 5/32 x 1	3
41	N03-006-00	NUT, 6-32 ELASTIC STOP	1	96	310-132-02	SLIDE ROD 3/4 x 29 3/8	1
42	P00-093-06	PIN, ROLL 3/32 x 3/4	1	97	310-132-03	SLIDE ROD 3/4 x 28 7/8	1
43	S13-006-08	SCREW, 6-32 x 1/2 SLT RD HD	1	98	237-001-02	S-HOOK	1
44	S16-250-08	SCREW, 1/4-20 x 1/2 HEX HEAD	2	99	100-051-00	HEAD SHIFT LEVER ASSEMBLY	1
45	100-494-00	ABDOMINAL WHEEL ASSEMBLY	1	100	S18-375-12	SCREW 3/8-16 x 3/4 SOC BUTT HD	4
46	280-149-00	RATCHET SIDE PLATE R.H.	1	101	310-474-00	HEAD FRAME SPACER	2
47	280-149-01	RATCHET SIDE PLATE L.H.	1	102	S18-250-08	SCREW, 1/4-20 x 1/2 SOC BUT HD	4
48	262-006-01	3 LOBE KNOB	1	103	S18-010-16	SCREW, 10-24 x 1 SOC BUTT HD	2
49	310-472-00	WHEEL DRIVE SCREW	1	104	W06-010-00	WASHER LOCK #10	2
50	310-393-01	ROLLER	1	105	N01-250-00	NUT 1/4-20 HEX	1
51	P00-156-08	ROLL PIN	1	106	310-423-01	LOWER VERT. ROD SUPPORT	1
52	N03-375-01	NUT 3/8-16 ELASTIC LOCK NUT (SHORT)	2				
53	N03-250-00	NUT 1/4-20 ELASTIC LOCK NUT	1				
54	S16-250-16	SCREW 1/4-20 x 1 HEX HEAD	1				
55	262-031-00	KNOB	1				

* NOT USED WITH PFS



SECTION B. POWER FRONT SECTION

PURPOSE

To provide a high quality chiropractic table that is easily adjustable for varying techniques and patient heights.

OPERATION

With the key switch turned on and the table in the upright position, depress the appropriate switch (Figure B-5) to move the front and pelvic sections upward or downward, until the cushions are at the correct height for the patient.

For an extremely tall patient or for a technique that requires a larger gap between the abdominal and pelvic cushions, the gap can be adjusted from $\frac{3}{4}$ " to $5\frac{3}{4}$ ". Operate the linkage release rod (Figure B-5) with one hand, while you move the pelvic cushion with the other hand. (The linkage is released by pushing the rod from the left side of the table or pulling it from the right side of the table.) When the pelvic cushion is in the desired location, release the knob and allow the spring-loaded linkage mechanism to engage.

▲CAUTION:

MAKE SURE THE PIN OF THE LINKAGE MECHANISM ENGAGES A HOLE IN THE INNER BAR, so the pelvic cushion cannot pinch the patient by an unintended motion.

It is not normally necessary to move the cushions while the table is horizontal, but the power front section is capable of doing so.

TROUBLE SHOOTING

The powered front section drive screw is factory lubricated and should not require relubrication under normal use. After heavy usage migration of the grease could occur as evidenced by vibration. If this occurs, remove lower cover and apply high temp EP Grease -2 to fitting located on drive nut.

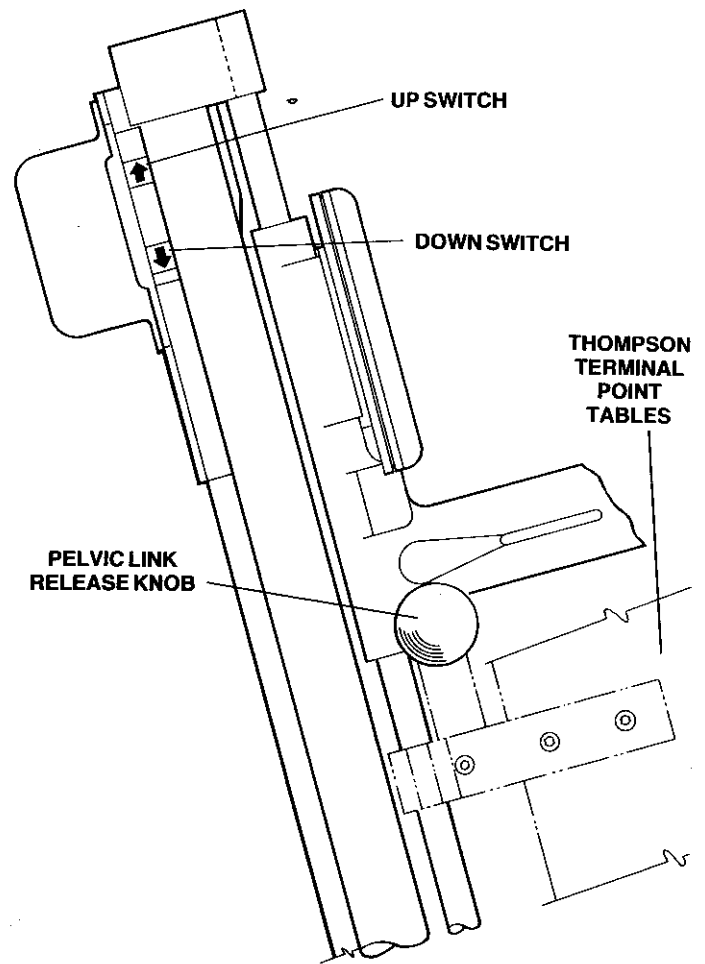
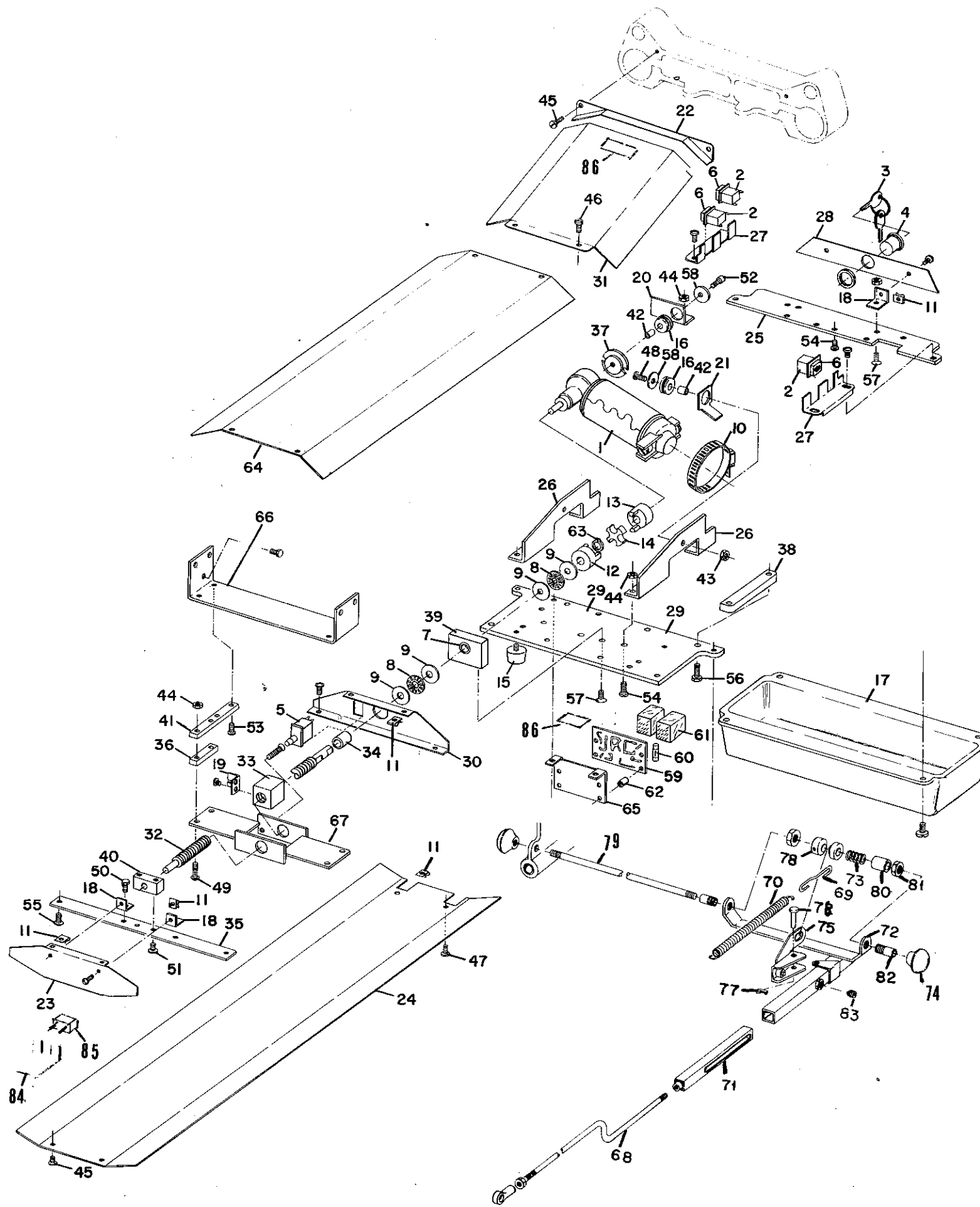


Figure B-5

Parts List

ITEM NO.	PART NO.	DESCRIPTION	QTY	ITEM NO.	PART NO.	DESCRIPTION	QTY
1	215-004-00	DRIVE MOTOR	1	46	S13-010-06	SCREW, 10-24 x 3/8 SLT RDHD	14
2	221-005-00	SWITCH	4	47	S13-010-08	SCREW, 10-24 x 1/2 SLT RDHD	2
3	221-011-01	KEY	1	48	S13-010-12	SCREW, 10-24 x 3/4 SLT RDHD	1
4	221-011-02	SWITCH	1	49	S13-250-20	SCREW, 1/4-20 x 1 1/4 SLT RDHD	4
5	221-012-06	SWITCH	1	50	S16-250-06	SCREW, 1/4-20 x 3/8 HEX HEAD	2
6	224-016-00	SWITCH LENS	4	51	S16-250-08	SCREW, 1/4-20 x 1/2 HEX HEAD	2
7	232-004-06	BUSHING	1	52	S17-010-10	SCREW, 10-24 x 5/8 SOC CAP	1
8	232-025-00	BEARING	2	53	S18-250-08	SCREW, 1/4-20 x 1/2 SOC BUT HD	6
9	232-025-01	THRUST WASHER	4	54	S18-250-10	SCREW, 1/4-20 x 5/8 SOC BUT HD	8
10	237-016-00	HOSE CLAMP	1	55	S18-312-08	SCREW, 5/16-18 x 1/2 BUTTON HD	2
11	237-017-00	CLIP	12	56	S18-312-20	SCREW, 5/16-18 x 1 1/4 BUTTON HD	4
12	237-048-00	COUPLING 3/8 BORE	1	57	S19-250-08	SCREW, 1/4-20 x 1/2 SOC FLT HD	2
13	237-048-01	COUPLING 5/16 BORE	1	58	W10-021-00	MOTOR MOUNT WASHER	2
14	237-048-02	SPIDER	1	59	282-044-00	PRINTED CIRCUIT BD. ASSY.	1
15	261-012-00	BUMPER, TABLE FRAME	2	60	224-042-00	FUSE 3 AG 4 AMP LITTLE FUSE	1
16	261-019-00	GROMMET	2	61	224-043-00	RELAY 24V	2
17	262-047-00	LOWER COVER	1	62	423-022-05	TUBE	4
18	280-043-00	BRACKET COVER MOUNTING	4	63	237-049-00	RETAIN RING	1
19	280-133-00	NUT TORQUE ARM	1	64	280-139-00	COVER UPPER	1
20	280-134-00	MOTOR SUPPORT BRKT	1	65	280-197-00	P.C. BD. MTG. BRKT	1
21	280-135-00	MOTOR TORQUE ARM	1	66	310-423-02	SUPPORT, LOWER	1
22	280-136-00	COVER RETAINER	1	67	100-492-00	NUT CARRIER ASSY.	1
23	280-137-00	COVER BRACKET	1	68	310-480-00	PELVIC PULL ROD	1
24	280-138-00	COVER LOWER	1	310-480-01	PELVIC PULL ROD 320/360, 440/460	1	
25	280-140-00	FRONT MOUNTING PLATE	1	69	283-086-00	SPRING ATTACHMENT HOOK	1
26	280-141-00	BASE PLATE BRIDGE	2	70	233-009-00	SPRING	1
27	280-142-00	SWITCH PANEL	2	71	100-254-00	INNER TUBE & COUPLER ASSY.	1
28	280-143-00	KEY SWITCH MTG PLATE	1	72	100-260-00	DRAWBAR SUPPORT ASSY.	1
29	280-145-00	MOUNTING PLATE	1	100-260-01	DRAWBAR SUPPORT ASSY. 320/360, 440/460	1	
30	280-146-00	SCREW COVER MTG FRONT	1	73	233-052-00	SPRING, PELVIC RELEASE	1
31	280-147-00	UPPER MOTOR COVER	1	74	262-014-01	KNOB	2
32	283-081-00	SCREW	1	75	282-045-00	DRAWBAR RELEASE LEVER ASSY.	1
33	283-082-00	NUT	1	76	310-386-01	CLEVIS PIN 1 1/4 x 1 5/32	1
34	310-382-01	COLLAR-THRUST	1	77	P01-125-05	PIN, COTTER 1/8 x 5/8	1
35	310-463-00	CROSS BAR	1	78	310-483-00	COLLAR	2
36	310-464-00	SPACER	2	79	310-485-01	SHAFT	1
37	310-465-00	GEAR BOX COVER	1	310-485-00	SHAFT 320/360, 440/460	1	
38	310-466-00	MOUNTING PLATE SPACER	2	80	310-432-00	SPACER	1
39	310-467-00	SCREW BEARING BLOCK	1			NOT USED ON 320/360/440/460	
40	310-468-00	LOWER BRG	1	81	N02-500-00	NUT 1/2 - 13 HEX JAM	2
41	310-469-00	SPACER	2	82	310-487-00	PIVOT BUSHING	2
42	310-709-00	MOTOR MOUNTING SPACER 3/8	2	83	S02-250-12	SCREW, 1/4 - 20 x 3/4 SOC SET	1
43	N01-010-00	NUT #10-24 HEX	1	84	280-238-00	LIMIT SWITCH BRACKET 440/460 ONLY	1
44	N01-250-00	NUT, 1/4-20 HEX	14				
45	S13-010-04	SCREW, #10-24 x 1/4 SLT RDHD	8	85	221-012-06	SWITCH 440/460 ONLY	1
				86	254-053-00	LABEL, SHOCK WARNING	2



Section C PELVIC

Zenith

**WILLIAMS
MANUFACTURING**
158 N. Edison Avenue
Elgin, Illinois 60123
708/741-3650

 a **Standex** company

SECTION C. PELVIC SECTION

OPERATION AND ADJUSTMENT

CUSHION ANGLE ADJUSTMENT

Set the pelvic cushion at the appropriate angle by turning the crank (Figure C-1) from either side of the table.

CUSHION HEIGHT ADJUSTMENT

NOTE: The next paragraph does not apply to tables with a power front section.

The pelvic cushion is spring counterbalanced for ease of adjustment. To adjust the cushion for the height of the patient, first loosen the lock knob (Figure C-1) and slide the cushion to the desired height. Then tighten the lock knob to lock the cushion in place.

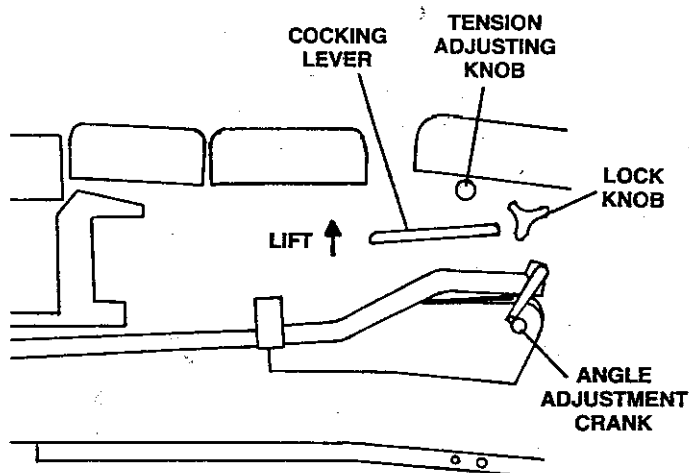


Figure C-1

TERMINAL POINT® DROP

(Optional on 210 & 240)

Safe and consistent operation of the Terminal Point drop feature is attained by "weighing" the patient and adjusting the drop tension to complement the doctor's thrust and the patient's weight. Proper use of the drop principle is taught at Thompson® Educational Workshops and in college curriculum courses.

To "weigh" the patient, first cock the pelvic cushion by lifting the cocking lever (Figure C-1)

NOTE:

DO NOT PRESS DOWN HARD ON COCKING LEVER. Extreme pressure on handle will damage table.

Start with the drop tension high enough to support the patient's weight without dropping. Decrease tension by turning the tension knob counterclockwise, until the cushion drops from the patient's weight. Now, by turning the tension knob clockwise, increase tension slightly. Test the tension by cocking the cushion again. If necessary, repeat the tension correction, until the cushion will just support the patient. The pelvic drop is now set at the ideal tension for the patient's weight.

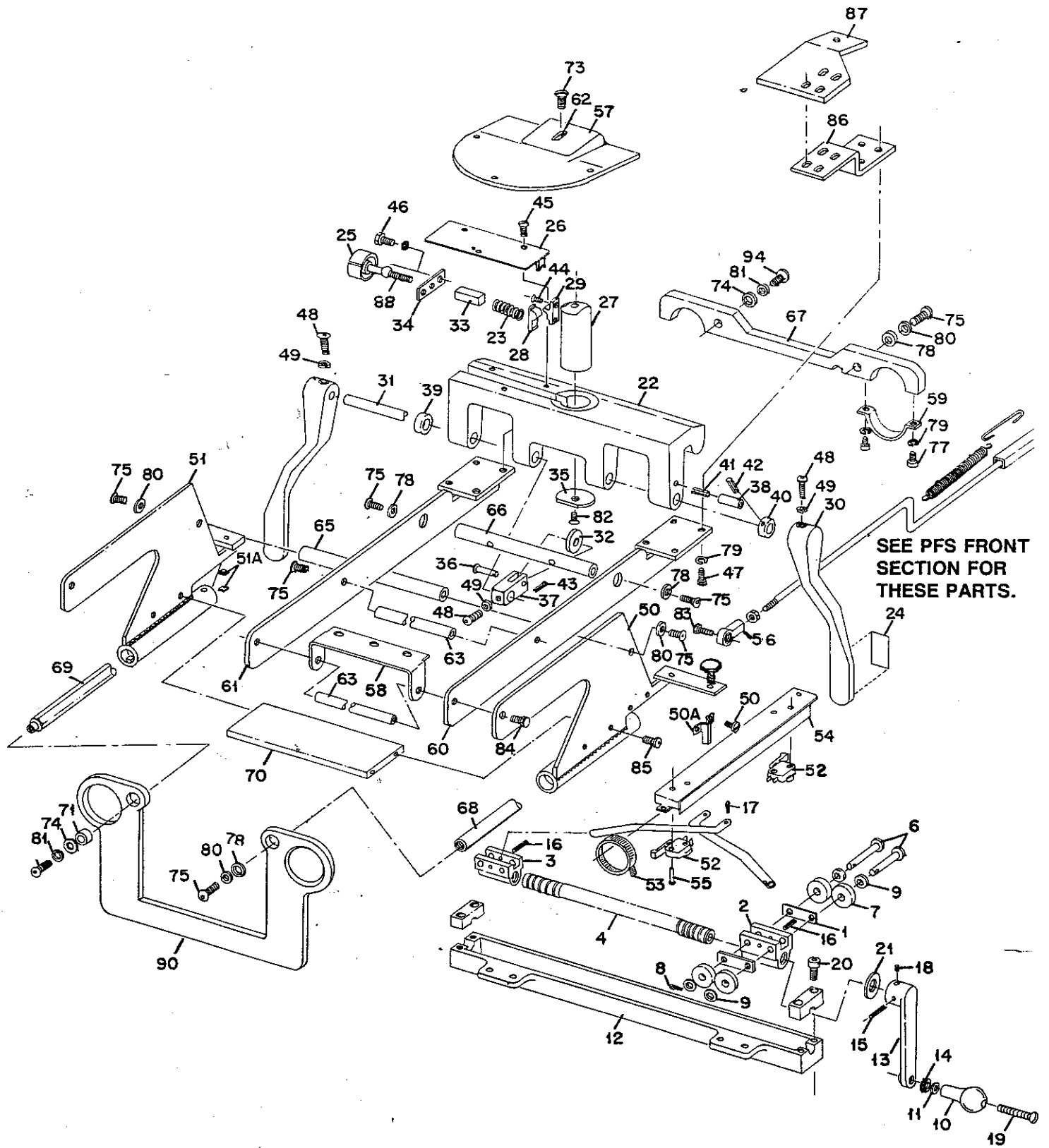
TROUBLE-SHOOTING (PELVIC SECTION)

If the pelvic cushion will not hold the angle at which it was set, check the threaded rods and traverse nuts. Remove any excess lubrication from the rods. Replace any worn parts.

Parts List

ITEM NO.	PART NO.	DESCRIPTION	QTY	ITEM NO.	PART NO.	DESCRIPTION	QTY
1	280-046-00	SPACER	1	47	S16-250-16	SCREW, 1/4-20x1 HEX HEAD	8
2	304-001-00	TRAVERSE NUT RIGHT	1	48	S18-250-16	SCREW, 1/4-20x1 SOCK BUTTON*	3
3	304-001-01	TRAVERSE NUT LEFT	1	49	W06-250-00	WASHER, 1/4 SPLIT RING LOCK*	3
4	310-007-00	SCREW	1	50	100-249-00	PELVIC SLIDE BRKT ASSY RT	1
5	310-008-00	FLIP/FLOP ROD	2	50A	280-236-00	LIMIT SWITCH TRIPPER	1
6	310-011-00	CLEVIS PIN	4	50B	S11-010-04	SCREW 10-24 x 1/4 SLT HD	2
7	310-323-00	ROLLER	8	51	100-249-01	PELVIC SLIDE BRKT ASSY LFT	1
8	P01-093-04	PIN, COTTER 3/32 x 1/2	4	51A	310-490-00	PELVIC SLIDE BUTTON	4
9	W02-187-00	WASHER, 3/16 SAE	8	52	221-012-07	SWITCH	2
10	262-002-00	CRANK KNOB	4	53	237-016-05	CLAMP 1 3/16 x 1 3/4	1
11	263-007-00	FELT WASHER	2	54	280-237-00	LIMIT SWITCH MTG BRKT	1
12	300-001-02	BASE, SCREW DEVICE	1	55	S35-X04-04	SCREW, DRIVE #4x1/4	4
13	300-004-00	CRANK HANDLE	2	56	238-002-02	ROD END, PELVIC PULL	1
14	N01-250-00	NUT, 1/4-20 HEX	6	57	280-086-00	PLATE, PELVIC CUSHION*	1
15	P00-156-07	PIN, ROLL 5/32 x 7/8	2	58	280-194-00	REAR PELVIC CUSHION BRKT	1
16	P00-187-08	PIN, ROLL 3/16 x 1	2	59	280-195-00	SLIDE ROD SUPPORT BRKT	2
17	P01-093-08	PIN, COTTER 3/32 x 1	2	60	283-084-00	PELVIC DROP SUPPORT BAR RT	1
18	S02-250-04	SCREW, 1/4-20 x 1/4 SOC SET	2	61	283-084-01	PELVIC DROP SUPPORT BAR LT	1
19	S13-250-36	SCREW, 1/4-20 x 2 1/4 SLT RDHD	2	62	310-298-01	DROP PLATE SLEEVE*	1
20	S17-010-12	SCREW, 10-24 x 3/4 SOC HD CAP	4	63	310-475-00	REAR PELVIC PIVOT ROD	1
21	W10-011-00	WASHER, NYLON 1 OD x 1/2 ID	4	64	310-476-00	PELVIC BAR SPACER ROD	1
22	100-167-01	MAIN PELVIC BLOCK ASSY*	1	65	310-477-00	PELVIC LIFT BAR	1
23	233-012-00	PELVIC DROP SPRING*	1	66	310-477-01	PELVIC LIFT BAR	1
24	254-039-00	DECAL "LIFT"*	2	67	310-478-00	FRONT PELVIC SLIDE ROD SUPPORT	1
25	262-013-00	TENSION KNOB W/SET SCREW*	1	68	310-479-00	PELVIC SUPPORT SLIDE ROD	1
26	280-027-01	COVER PLATE*	1	69	310-479-01	PELVIC SUPPORT SLIDE ROD	1
27	281-038-02	CENTER POST*	1	70	310-488-00	SLIDE BRKT SPACER	1
28	283-012-01	DROP FINGER*	1	71	310-489-00	SPACER	1
29	283-013-01	DROP LATCH KEY*	1	72	N20-375-00	NUT 3/8-24 HEX JAM	1
30	302-209-01	COCKING HANDLE*	2	73	S15-250-10	SCREW, 1/4-20 x 5/8 SLT TRS HD*	1
31	310-144-02	SHAFT, PIVOT*	1	74	W02-312-00	WASHER 5/16 SAE	8
32	310-146-00	ROLLER*	1	75	S18-375-12	SCREW, 3/8-16 x 3/4 SOC BUT HD	6
33	310-149-01	BLOCK, PUSHER*	1	76	S19-312-10	SCREW, 5/16-18 x 5/8 SOC FLT HD	2
34	310-150-00	BLOCK*	1	77	S17-250-10	SCREW, 1/4-20 x 5/8 SOC CAP	4
35	310-152-00	WASHER 1/8 x 1 1/2 x 3/8*	1	78	W01-375-00	WASHER, 3/8 FLAT	4
36	310-310-00	CLEVIS PIN*	1	79	W06-250-00	WASHER, 1/4 SPLIT RING LOCK	8
37	310-320-01	BLOCK, ACTUATOR, PELVIC*	1	80	W06-375-00	WASHER, LOCK SPRING 3/8	6
38	310-368-00	PELVIC LEVER BUMPER*	1	81	W06-312-00	WASHER, 5/16 SPLIT RING LOCK	2
39	310-378-00	COLLAR PELVIC STOP*	1	82	S19-250-08	SCREW, 1/4-20 x 1/2 SOC FLT HD*	1
40	310-378-01	COLLAR*	1	83	S16-375-16	SCREW, 3/8-16 x 1	1
41	P00-250-12	PIN, ROLL 1/4 x 1 1/2*	1	84	S16-250-10	SCREW, 1/4-20 x 5/8 HEX HEAD	2
42	P00-250-14	PIN, ROLL 1/4 x 1 3/4*	1	85	S18-250-10	SCREW, 1/4-20 x 5/8 SOC BUT HD	4
43	P01-125-06	PIN, COTTER 1/8 x 3/4*	1	86	280-193-00	PELVIC CUSH PIVOT BRKT**	2
44	S04-010-10	SCREW, 10-24 x 5/8 SLT FLT HD*	2	87	280-235-00	PELVIC SUPPORT BRKT RT**	1
45	S13-010-08	SCREW, 10-24 x 1/2 SLT RD HD*	3		280-235-01	PELVIC SUPPORT BRKT LFT	1
46	S16-250-12	SCREW, 1/4-20 x 3/4 HEX HEAD	2	88	100-086-00	FLEX KNOB SHAFT ASSY*	1
				89	S18-312-12	SCREW, 5/16-18 x 3/4 SOC BUT HD	2
				90	280-196-00	REAR PELVIC SLIDE ROD SUPPORT	1

* FOR TABLES EQUIPPED WITH MANUAL DROP
 ** FOR TABLES WITHOUT PELVIC DROP



Section D
**FOOTBOARD
& RELAXER**

Zenith

**WILLIAMS
MANUFACTURING**
158 N. Edison Avenue
Elgin, Illinois 60123
708/741-3650

 a Standex company

SECTION D. RELAXER AND FOOTBOARD

OPERATION

The ankle relaxer can be set at four different heights. To set the relaxer at maximum or intermediate height, lift the cushion and allow any of the three notches on each relaxer bar to catch the rod. (See Figure D-1.) To set the relaxer at its lowest position, let all the notches on both bars fall past the rod.

Auto-Relaxer™

If your table was ordered with optional automatic relaxer, the relaxer moves upward about two inches (relative to the table frame) while table is lowering.

▲ CAUTION:

SET THE RELAXER AT THE LOWEST NOTCH POSITION BEFORE RAISING THE TABLE. If this is not done, the patient may miss the footboard and suffer injury.

▲ WARNING:

MAKE SURE NO ONE IS UNDER THE FOOTBOARD OR IN THE PATH THE FOOTBOARD WILL FOLLOW, when the table is raised to the upright position. Severe injury could result, if any part of the body is trapped under the footboard.

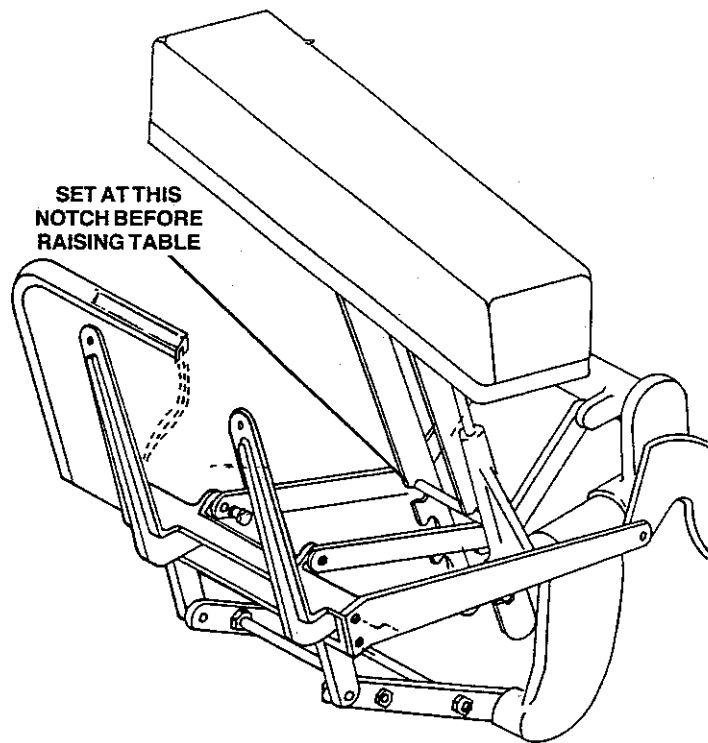


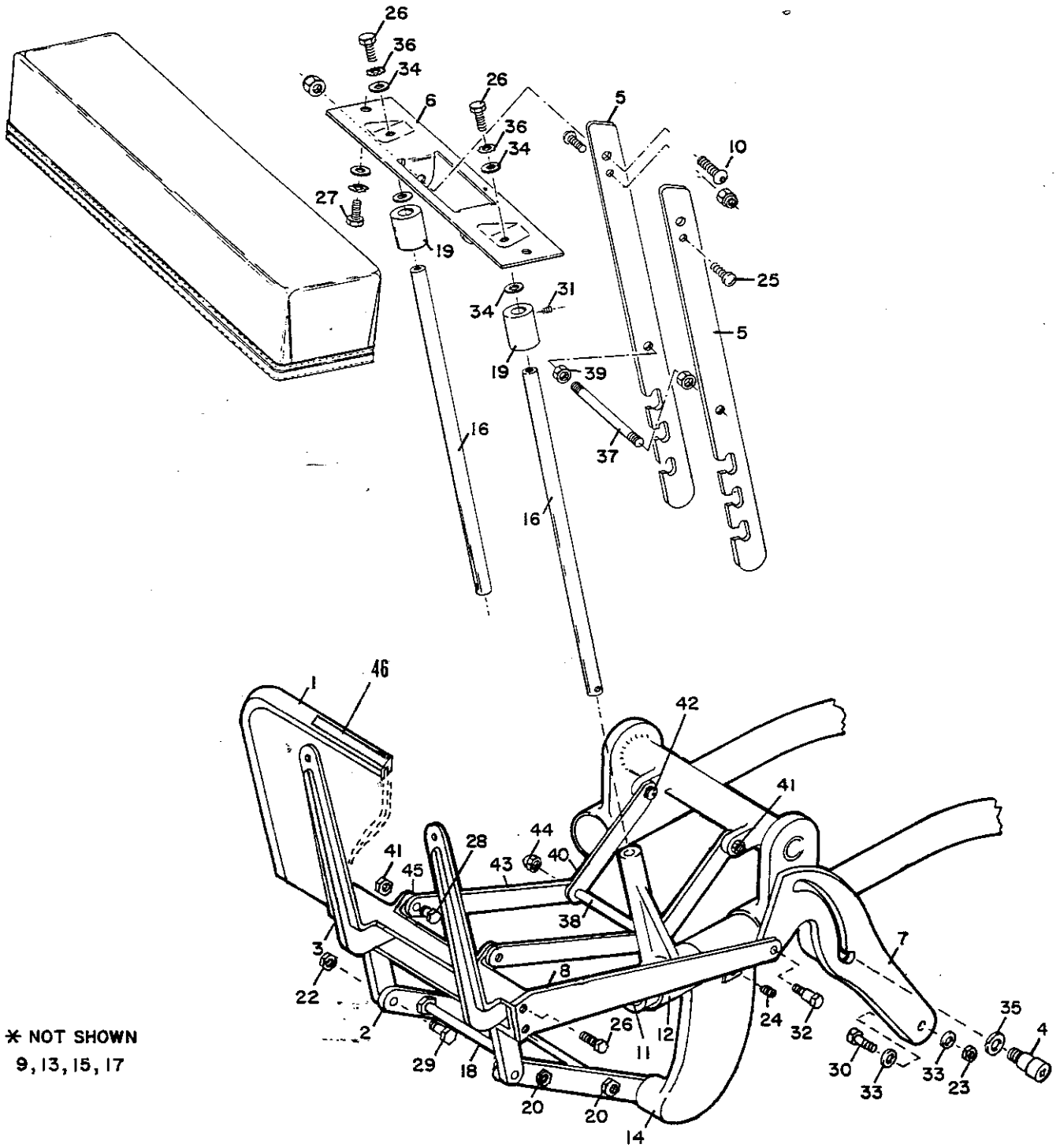
Figure D-1

Parts Lists

ITEM NO.	PART NO.	DESCRIPTION	QTY	ITEM NO.	PART NO.	DESCRIPTION	QTY
1	100-007-04	FOOTBOARD ASSY	1	24	S02-375-12	SCREW, 3/8-16x3/4 SOCKET SET	4
2	100-186-00	FOOTSTEP ALIGN BAR ASSY	2	25	S13-010-10	SCREW 10-24x5/8 SLT RD HD	2
3	100-187-00	FOOTSTEP SUPPORT ASSY	1	26	S16-250-12	SCREW, 1/4-20x3/4 HEX HEAD	4
4	232-019-00	CAM FOLLOWER	2	27	S16-250-16	SCREW, 1/4-20x1 HEX HEAD	2
5	280-003-02	RELAXER NOTCHED BAR	2	28	S16-312-20	SCREW, 5/16-18x1 1/4 HEX HD (*)	2
6	280-067-00	RELAXER BRACKET	1	29	S16-375-28	SCREW, 3/8-16x1 3/4 HEX HEAD	2
7	280-068-00	ROCKER ARM	2	30	S61-500-24	SCREW, 1/2-20x1 1/2 HEX HEAD	2
8	280-075-00	FOOTSTEP DRAWBAR RIGHT	1	31	S20-250-04	SCREW, 1/4-28x1/4 SOC SET	2
9	280-075-00	FOOTSTEP DRAWBAR LEFT	1	32	S25-000-02	FOOT STRAP BOLT	2
10	S18-312-12	SCREW, 5/16 - 16 x 3/4, SOC BUT HD	1	33	W01-500-00	WASHER, 1/2 FLAT	4
11	283-023-00	TUBE PLUG	2	34	W02-250-00	WASHER, 1/4 SAE	4
12	300-012-00	ANKLE REST GUIDE RIGHT	1	35	W02-500-00	WASHER, 1/2 SAE	4
13	300-012-01	ANKLE REST GUIDE LEFT	1	36	W06-250-00	WASHER, 1/4 SPLIT RING LOCK	1
14	300-024-00	#24 CASTING RIGHT	1	37	310-042-00	SPACER BAR	1
15	300-024-01	#24 CASTING LEFT	1	38	310-036-01	ROD	1
16	310-005-02	RELAXER SLIDE ROD	2	39	N01-312-00	NUT 5/16-18 HEX JAM	2
17	310-325-00	NOTCH BAR RELAXER ROD (**)	1	40	310-035-02	ARM, SWING FRAME (*)	2
18	310-343-00	ROD, ALIGNMENT BAR	2	41	N03-312-00	NUT 5/16-18 ELASTIC LOCK (*)	4
19	310-355-00	RELAXER SPACER	2	42	S18-312-12	SCREW, 5/16-18x3/4 SOC BOLT (*)	2
20	N01-375-01	NUT, 3/8-16 HEX	8	43	310-035-01	SWING ARM (*)	2
21	N03-010-00	NUT, #10-24 ELASTIC STOP	2	44	S18-250-06	SCREW 1/4-20x3/8 SOC BUT HD (*)	2
22	N03-375-00	NUT, 3/8-16 HEX ELASTIC STOP	2	45	310-405-00	RELAXER LINKAGE BRACKET (*)	1
23	N22-500-00	NUT, 1/2-20 HEX JAM	4	46	254-053-03	FOOTBOARD WARNING LABEL	1

* AUTOMATIC RELAXER OPTION ONLY

** TABLES WITHOUT AUTOMATIC RELAXER



Section E

CUSHIONS

Zenith

**WILLIAMS
MANUFACTURING**
158 N. Edison Avenue
Elgin, Illinois 60123
708/741-3650

 a Stonex company

SECTION E. CUSHIONS

CARE OF LEATHER

Upholstery of finished genuine leather or Naugahyde requires very little care. Dust it regularly.

NOTE:

Do not use a dust cloth containing any furniture polish or oily substance.

If it becomes necessary to wash off a spot, use lukewarm water and mild soap. Work up some suds, then go over the soiled surface with a towel or cheesecloth moistened in the soap solution. Wet a clean cloth with fresh water and use it to remove the soap residue. If the upholstery dries with a dull appearance, rub it with a clean, dry towel to restore the normal gloss.

NOTE:

Never use an abrasive cleaner, ammonia, or any other alkaline cleaner on the cushions. Never apply varnish to a cushion. These agents will damage the finish.

Watch for any part of patient's clothing such as rivets, belt buckles, or heels that could tear or cut leather.

MAINTENANCE

Check tightness of screws holding cushions to table twice a year or oftener if cushions appear loose. Replace compressed cushions.

⚠ CAUTION:

Do not use severely compressed face cushions. Patient's face may be pushed into support plate causing injury.

OPTIONAL CUSHIONS:

Pregnancy comfort pillows and blocker sets are available. Consult your local authorized Zenith dealer.

Section F BASE

Zenith

**WILLIAMS
MANUFACTURING**
158 N. Edison Avenue
Elgin, Illinois 60123
708/741-3650

 a **Standex** company

SECTION F. BASE

OPERATING INSTRUCTIONS

▲WARNING:

To avoid possible injury or damage, PLEASE READ THE ENTIRE OPERATING INSTRUCTIONS before attempting to operate the powered components.

▲WARNING:

This TABLE SHOULD BE OPERATED ONLY BY AUTHORIZED, TRAINED STAFF MEMBERS. Operation by an untrained person could result in injury to operator or patient.

NOTE: Key switch must be in the "ON" position for the table to operate. The switch should be turned off and the key removed when the table will be unattended.

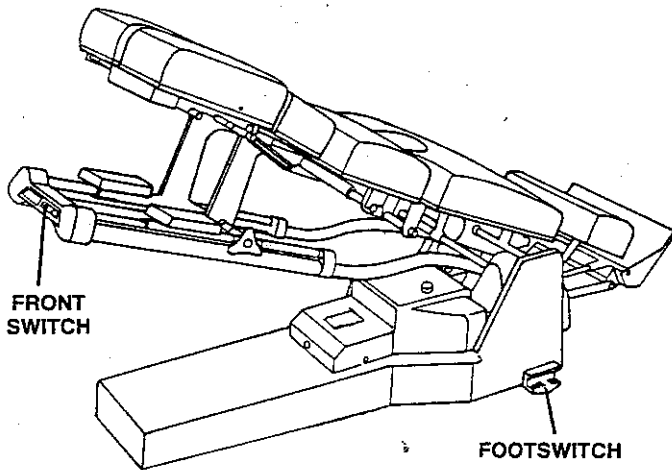


Figure F-1

The standard Zenith II table has electrical controls at two locations: dual footswitch and front mounted switches. (See Figure F-1.)

FOOTSWITCH

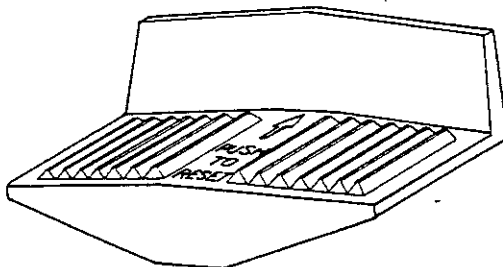


Figure F-2

▲WARNING:

BEFORE OPERATING FOOTSWITCH MAKE SURE PATIENT'S HANDS AND FEET ARE CORRECTLY POSITIONED AND AWAY FROM MOVING PARTS. Placing body parts in mechanism could result in severe injury.

The Sure-Step footswitch (Figure F-2) provides control features that permit more convenient operation and prevent unintentional operation. To control a Zenith table from the footswitch, first push the footswitch pedal into the

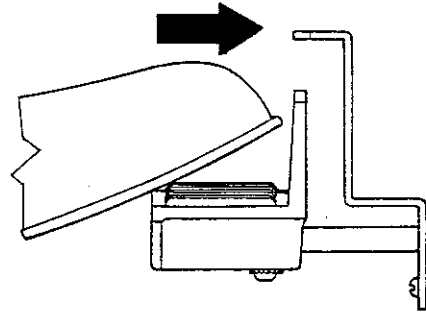


Figure F-3

"Armed" position from either side. (See Figure F-3.) "Arming" the pedal energizes the footswitch for approximately 20 seconds. During the 20 second period, depressing the pedal in the appropriate direction (RAISE or LOWER) will cause the table to move up or down. To stop powered motion of the table immediately at any time, simply push the pedal into the STOP position. The same pedal position is used to "STOP" or "ARM" the table.

NOTE: Pressing the footswitch pedal at an angle will not actuate the footswitch.

NOTE: Operation of footswitch and front mounted switches is automatic. Do not maintain contact on these switches once the table has been activated.

FRONT MOUNTED SWITCHES

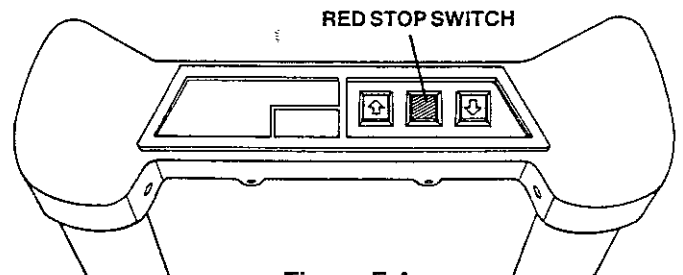


Figure F-4

The front mounted switches (Figure F-4) provide an alternative to the footswitch. They consist of two directional controls and a red stop switch. These switches operate independently of the footswitch and do not require resetting of the footswitch pedal.

The directional switches are marked with arrows oriented to the motion of the table. Pressing the front switch with the downward arrow causes an upright table to lower to the horizontal position. Pressing the switch with the upward arrow causes a horizontal table to tilt to the extreme upright position.

Pressing the red switch marked **STOP** immediately interrupts the operation of the table at any point.

ROUTINE OPERATION

Beginning with the table in the upright position, the operator presses either the footswitch or a front mounted switch to make the table descend. (Remember that the footswitch must be reset before initiating any motion, unless the footswitch has been reset within the last 20 seconds.)

⚠ **WARNING:**

NEVER LEAVE PATIENT UNATTENDED, while patient is getting on or off table or while table is moving. Make certain patient is **PROPERLY POSITIONED**, with arms and hands on rests provided and away from the internal mechanisms of the table. Failure to do this can result in **SERIOUS INJURY** to the patient.

When the table is horizontal, pressing either the footswitch or a front mounted switch tilts the table upward. The table automatically stops when it reaches the full upright position.

⚠ **CAUTION:**

BE CAREFUL WHILE HELPING PATIENTS DISMOUNT from the table. Patients may experience dizziness and could be injured if they fall while dismounting from table.

⚠ **CAUTION:**

Any time the table will not be used for an extended period, **LEAVE IT IN THE DOWN POSITION AND REMOVE THE KEY** to prevent accidental operation or operation by an unauthorized person. Operation by an untrained person could result in injury to the operator or to others in the vicinity.

MANUAL LOWERING

A manual override valve permits the table to be lowered very gently for the benefit of an acute patient. This feature is also useful if there is a power failure. To use the manual

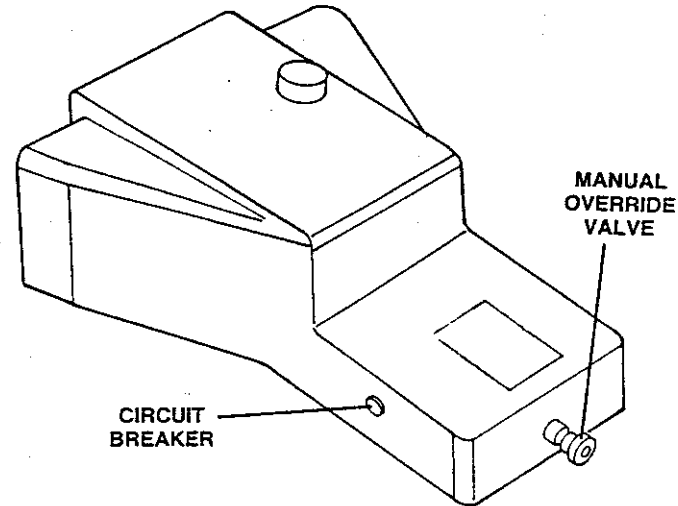
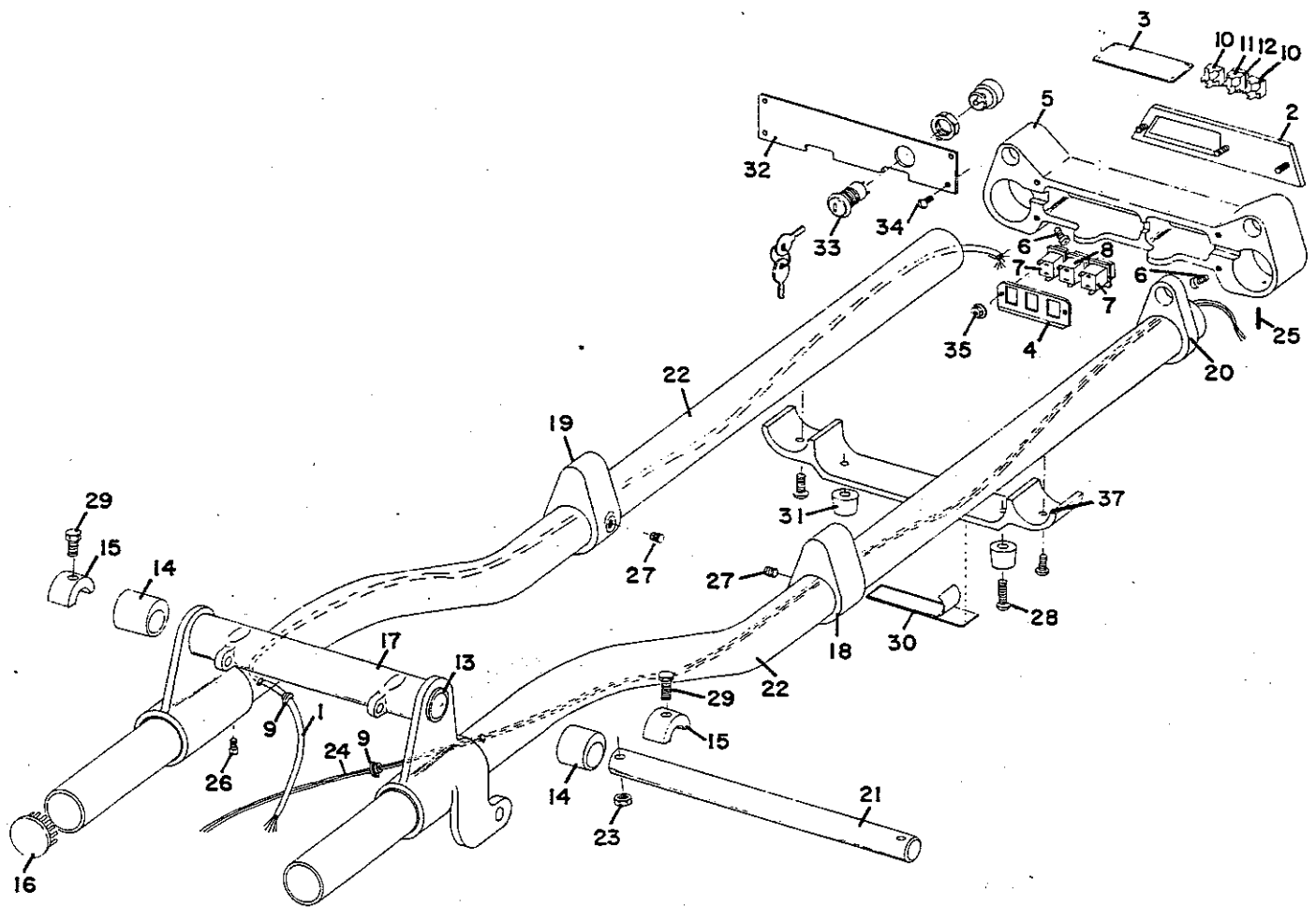


Figure F-5

override, simply turn the knob at the front of the motor housing (Figure F-5) slowly counterclockwise until the table begins to descend. When the table has reached the lowest position, turn the knob clockwise to close the valve completely. If power has failed, the table may be used in the down position until power is restored. During the first powered operations after use of manual override, operation will be slow, until the pump has run long enough to return hydraulic pressure to normal.

NOTE: Do not operate the table with the manual override open.

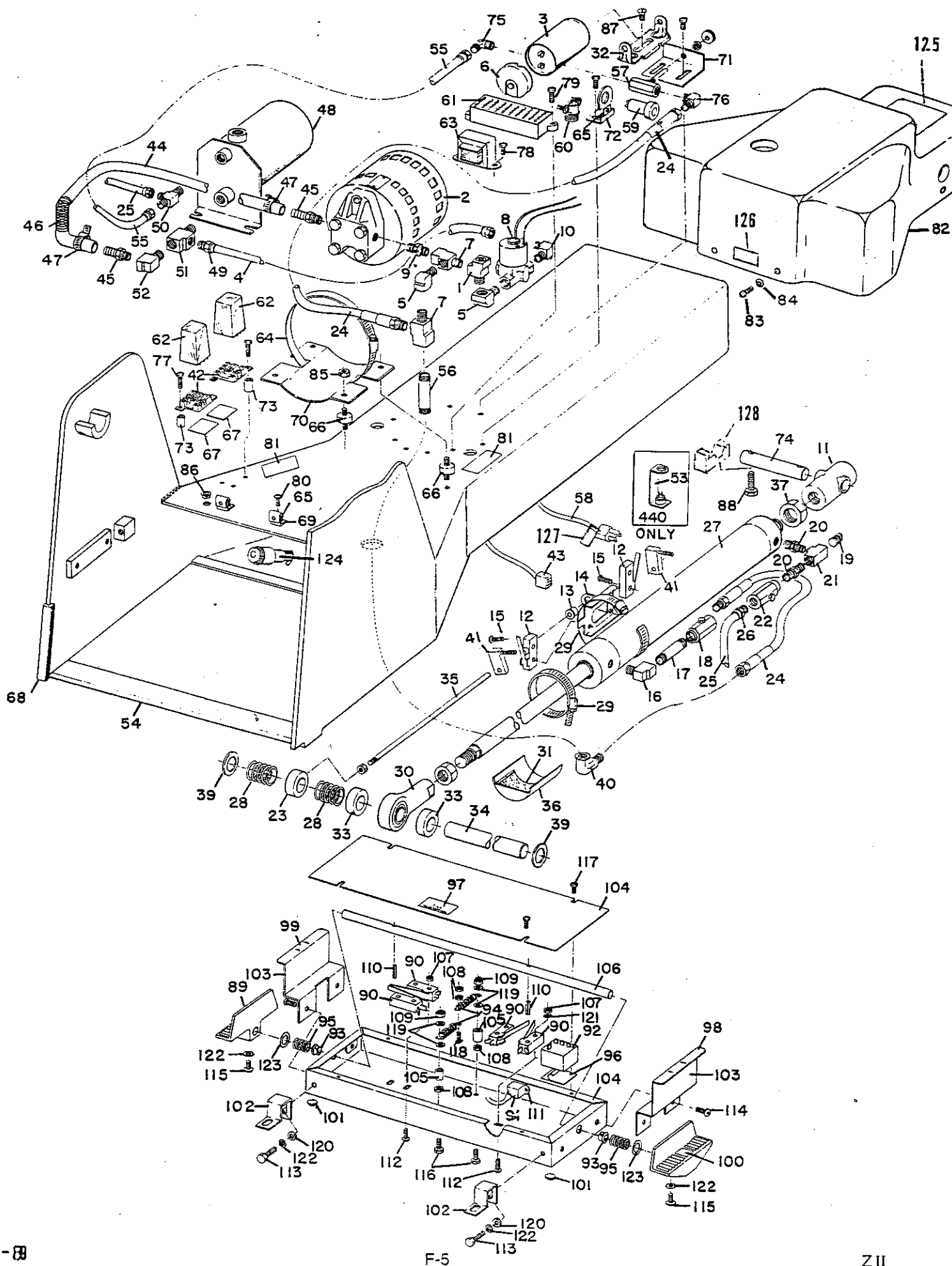


Parts List

ITEM NO.	PART NO.	DESCRIPTION	QTY	ITEM NO.	PART NO.	DESCRIPTION	QTY
1	100-097-00	CABLE ASSEMBLY	1	19	300-036-01	SLIDE BRACKET LEFT	1
2	254-009-00	NAME PLATE	1	20	302-112-00	SLIDE BRACKET	1
3	254-053-02	DECAL, WARNING	1	21	310-001-03	PIVOT SHAFT	1
4	280-062-00	SWITCH MOUNTING BRACKET	1	22	313-001-03	TUBE FRAME	2
5	300-107-00	END SUPPORT	1	23	N03-375-00	NUT, 3/8 - 16 HEX, ELASTIC STOP	2
6	S02-375-12	SCREW, 3/8-16x3/4 SOCKET SET	2	24	220-004-00	CORD 16-2	9
7	221-005-00	SWITCH	2	25	P00-187-08	PIN, ROLL 3/16x1	2
8	221-005-01	SWITCH	1	26	S01-375-12	SCREW, 3/8-16x3/4 SQ HD SET	2
9	224-003-02	BUSHING	2	27	S02-375-06	SCREW, 3/8-16x3/8 SOC SET	2
10	224-016-00	SWITCH LENS	2	28	S13-010-12	SCREW, #10-24x3/4 SLT RD HD	2
11	224-016-01	SWITCH LENS	1	29	S16-375-36	SCREW, 3/8-16x2 1/4 HEX HEAD	2
12	262-040-00	STOP BUTTON EXTENSION	1	30	254-001-02	SERIAL NO. PLATE	1
13	232-004-05	BEARING SLEEVE	2	31	261-012-00	BUMPER, TABLE FRAME	2
14	262-001-00	ECCENTRIC BUSHING	2	32	280-060-00	COVER SWITCH	1
15	281-039-00	CAP, PIVOT ROD	2	33	221-011-01	KEYSWITCH	1
16	283-023-00	TUBE PLUG	2	34	S13-010-04	SCREW, 10-24x1/4 SLT RD HD	4
17	300-023-01	FRAME HINGE	1	35	237-034-00	PAL-NUT	2
18	300-036-00	SLIDE BRACKET RIGHT	1	36	S18-312-08	SCREW, 5/16-18x1/2 SOC BUT HD	2
				37	310-117-00	BAR, FRONT REST	1

Parts List

ITEM NO.	PART NO.	DESCRIPTION	QTY	ITEM NO.	PART NO.	DESCRIPTION	QTY
1	100-153-00	INLINE FILTER ASSY	1	66	261-013-00	MOTOR MOUNT	4
2	210-004-00	MOTOR/PUMP	1	67	265-002-00	INSULATOR FOR RELAYS	2
3	224-040-01	CAPACITOR	1	68	269-001-00	TRIMLOK EDGE	6FT
4	211-008-00	POLY TUBING 1/4" O.D.	6FT	69	280-043-00	BRACKET COVER MOUNTING	3
5	212-004-01	90° ELBOW	2	70	280-061-00	MOTOR MOUNTING BRACKET	1
6		CAPACITOR CAP	1	71	280-063-00	BRACKET VALVE	1
7	212-037-00	STREET T	2	72	280-085-00	BRACKET-CIRCUIT BREAKER	1
8	214-016-00	SOL. VALVE	1	73	310-302-00	SPACER	4
9	214-024-00	CHECK VALVE	1	74	310-328-00	SHAFT CYLINDER PIVOT	1
10	212-011-00	ELBOW 1/4 NPT, 1/4 TUBE	1	75	212-012-00	MALE EL	1
11	100-089-01	CYLINDER EYE ASSY	1	76	212-050-00	ELBOW	1
12	221-012-01	SWITCH	2	77	S13-008-16	SCREW, 8-32 x 1 SLT RD HD	4
13	224-003-02	BUSHING	1	78	S13-008-06	SCREW, 8-32 x 3/8 SLT RD HD	2
14	280-064-00	SWITCH MOUNTING BRACKET	1	79	S13-008-14	SCREW, 8-32 x 7/8 SLT RD HD	2
15	S13-006-12	SCREW, 6-32 x 3/4 SLT RD HD	4	80	S15-250-10	SCREW, 1/4-20 x 5/8 SLT TRS HD	5
16	212-004-01	90° ELBOW	1	81	254-040-00	WARNING LABEL 115V	2
17	212-005-00	1/4" NIPPLE	1	82	100-102-00	COVER, MOTOR	1
18	214-002-00	CONTROL VALVE	1	83	S04-010-16	SCREW 10-24 x 1 SLT FLT HD	4
19	212-002-00	FITTING PLUG 1/8 SQ. HD. STL	1	84	W00-010-00	FINISHING WASHER 10	4
20	212-005-08	NIPPLE	2	85	N01-250-00	NUT, 1/4-20 HEX	12
21	212-030-02	TEE	1	86	224-003-02	BUSHING	3
22	214-001-00	CONTROL VALVE	1	87	S04-250-08	SCREW 1/4-20 x 1/2 SLT FLT HD	1
23	203-001-01	COLLAR	1	88	S00-312-28	SCREW 5/16 - 18 x 1 1/4 HEX HD GR 8	2
24	211-002-00	PRESSURE HOSE 23"	2	89	100-230-00	FOOTPEDAL ASSEMBLY	2
25	211-008-00	POLY TUBING 1/4" OD	3FT	90	221-012-01	SWITCH	4
26	212-016-00	MALE COUPLING	1	91	222-012-00	PLUG	1
27	213-001-00	MAIN HYDRAULIC CYLINDER	1	92	224-037-00	TIMER 20 SEC 24 V	1
28	233-042-00	SPRING, SW. ROD EQUALIZER	2	93	232-007-00	BUSHING	2
29	237-016-00	HOSE CLAMP	2	94	233-014-00	SPRING	2
30	238-002-00	UNI-BALL BEARING	1	95	233-043-01	SPRING	2
31	263-002-00	DRIP PAD	1	96	252-003-00	DOUBLE FACE FOAM TAPE 1/2"	
32		CAPACITOR BRACKET	1	97	254-013-00	CAUTION DECAL	1
33	283-078-00	COLLAR	2	98	254-016-00	PEDAL GUARD DECAL RIGHT	1
34	310-132-06	ROD SUPPORT	1	99	254-016-01	PEDAL GUARD DECAL LEFT	1
35	310-335-00	ROD SWITCH ACTUATOR	1	100	254-018-00	PEDAL DECAL	2
36	380-010-00	DRIP CUP	1	101	261-015-00	STICK ON FEET	4
37	N02-100-00	NUT, 1"-14 HEX JAM	1	102	280-080-00	MOUNTING BRACKET FOOTSWITCH	2
38	N22-750-00	NUT, 3/4-16 HEX JAM	1	103	280-096-00	PEDAL GUARD FOOTSWITCH	2
39	W10-006-00	WASHER, 3/4 ID x 1 3/8 OD	2	104	283-028-00	SWITCH BOX & COVER	1
40	212-042-00	ELBOW FEMALE	1	105	310-302-01	SPACER 3/8 LG	2
41	100-106-01	SWITCH ACTUATOR ASSEMBLY	2	106	310-374-00	FOOTSWITCH SHAFT	1
42	100-113-01	RELAY BASE & WIRE ASSY 24 V	1	107	N01-006-00	NUT, 6-32 HEX	8
43	100-130-00	WIRING HARNESS FOOTSWITCH ZII	1	108	N01-010-00	NUT, 10-24 HEX	4
44	211-012-00	3/8" ID SUCTION HOSE	9	109	N03-010-00	NUT, 10-24 ELASTIC STOP	2
45	212-026-01	BARB HOSE CONNECTORS 201A-6C	2	110	P00-250-08	ROLL PIN 1/4 x 1	2
46	233-040-00	SPRING .390 x 3 1/2	1	111	R02-125-01	RIVER, 1/8 DIA x 1/8 RANGE POP	2
47	237-016-04	HOSE CLAMP	2	112	S13-006-16	SCREW, 6-32 X 1 SLT RD HEAD	8
48	100-204-00	OIL RESERVOIR ASSY	1	113	S16-250-08	SCREW, 1/4-20 x 1/2 HEX HEAD	2
49	212-018-01	MALE CONNECTOR 3/8 NPT, 1/4 TUBE	1	114	S18-250-06	SCREW, 1/4-20 x 3/8 SOC BUT HD	4
50	212-020-00	MALE "T" 1/4 NPT, 1/4 TUBE	1	115	S18-250-16	SCREW, 1/4-20 x 1 SOC BUT HD	2
51	212-028-00	STREET TEE	1	116	S23-010-16	SCREW, 10-24 x 1 HEX HD SPEC	2
52	212-048-00	ELBOW	1	117	S52-006-06	SCREW, 6 x 3/8 PAN HEAD TAP	4
53	100-151-00	AIR SWITCH SOCK/BRKT ASSY	2	118	S13-010-12	SCREW 10-24 x 3/4 SLT RD HD	1
54	285-004-00	BASE	1	119	W02-187-00	WASHER, 3/16 SAE	4
55	211-008-00	POLY TUBING 1/4" OD	2FT	120	W01-250-00	WASHER, 1/4 FLAT	2
56	212-005-04	NIPPLE	1	121	W03-006-00	WASHER EXT LOCK 6	8
57	214-002-01	VALVE OVERRIDE	1	122	W06-250-00	WASHER, 1/4 SPLIT RING LOCK	4
58	220-001-01	POWER CORD	1	123	W10-011-00	WASHER, NYLON 1 OD x 1/2 ID	2
59	221-008-01	CIRCUIT BREAK W/RETAINER 10AMP	1	124	221-015-00	FUSE HOLDER	1
60	222-006-00	CONNECTOR	2		224-042-02	FUSE 6/10 AMP, SLOW BLOW	1
61	224-015-01	TERMINAL BLOCK	1	125	254-028-02	SAFETY INSTRUCTIONS	1
62	224-022-00	RELAY 24 V	2	126	254-053-00	LABEL, SHOCK WARNING	1
63	224-023-00	POWER TRANSFORMER	6	127	254-053-00	LABEL, POWSER CORD WARNING	1
64	237-016-01	72 HOSE CLAMP	1	128	206-003-00	BLOCK, CVL RETAINING	2
65	237-017-00	CLIP	4				



Section G

MAINTENANCE

Zenith

**WILLIAMS
MANUFACTURING**

158 N. Edison Avenue
Elgin, Illinois 60123
708/741-3650

 a **Standex** company

SECTION G. MAINTENANCE

We recommend periodic maintenance and repair of this table be done by authorized Zenith table dealers, using only Williams supplied replacement parts.

▲ CAUTION:
Improper replacement of repair parts, or the use of non-Williams Mfg. parts, may cause table malfunctions and possible injuries.

▲ WARNING:
TO AVOID POSSIBLE INJURY OR DAMAGE, DISCONNECT THE POWER CORD while finding and correcting the cause of any problem.

▲ CAUTION:
SHOULD IT BECOME NECESSARY FOR ANY REASON TO WORK UNDER TABLE, A STABLE PROP MUST BE USED. A STABLE CHAIR MAY BE USED BY PLACING THE BACK JUST BEHIND THE RUBBER REST PADS. FAILURE TO PROVIDE A STABLE PROP COULD CAUSE INJURY SHOULD UNEXPECTED TABLE MOVEMENT OCCUR.

TROUBLE-SHOOTING GUIDE

Sympton	What to Check	How to Remedy
Table has difficulty traveling last few inches to upright.	Hydraulic oil level.	If low, first consult Maintenance section, then add oil. Do not overfill.
Table does not operate.	Power cord, footswitch plug, table circuit breaker, office circuit breaker, key lock.	Make sure key is turned on and power cord and footswitch are securely connected. Reset circuit breakers (Figure F-5). Have a Zenith dealer check wiring and other electrical components.
Table operates very slowly.	Manual override valve.	Close manual override valve completely (Figure F-5).
Table stops suddenly after heavy use.	Thermal override on motor.	Unplug power cord and wait 15 minutes. If problem reoccurs consult Zenith dealer.

▲ CAUTION:
ALWAYS DISCONNECT THE POWER CORD IF THIS OCCURS. FAILURE TO DO SO COULD CAUSE UNEXPECTED MOVEMENT OF THE TABLE AFTER THE MOTOR COOLS CAUSING INJURY TO ANYONE IN CONTACT WITH THE TABLE.

Table reaches end of travel and motor continues to run.	Relay limit switch.	Unplug power cord and consult Zenith dealer.
---	---------------------	--

NOTE:
LEAVING AN INOPERATIVE TABLE PLUGGED IN MAY DAMAGE THE MOTOR.

LUBRICATION - ALL MODELS

NOTE: If parts begin slipping after lubrication, they may have been lubricated too heavily. Clean off excess lubricant.

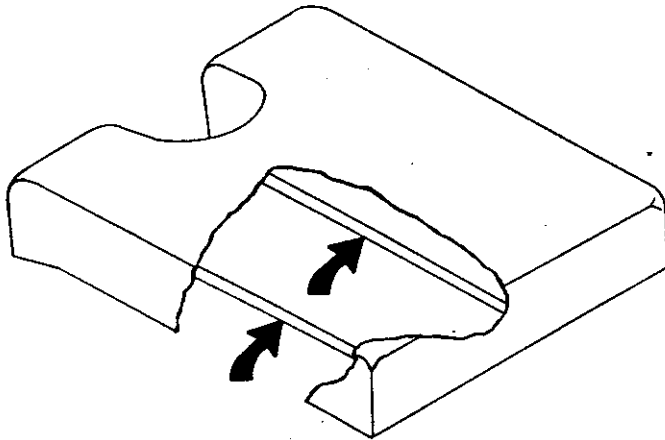


Figure G-1

Part	How to lubricate	How often
Pelvic Cushion Slide Rods (Figure G-1)	Apply moderate coat of "Lubriplate" or equivalent	Every 3 months

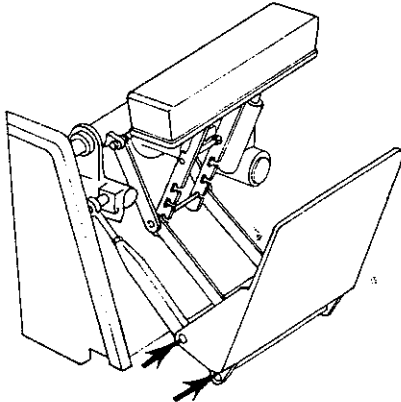


Figure G-2

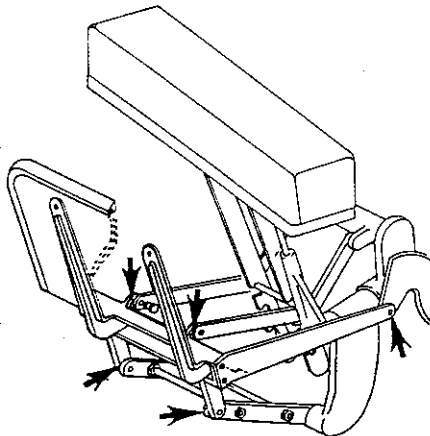


Figure G-3

Part	How to lubricate	How often
Footboard pivot points (Fig. G-2 or G-3)	Apply light coat of lightweight lubricating oil like "3-in-1" or "WD-40".	Every 3 months

LUBRICATION - MODELS WITH TERMINAL POINT™ DROPS (All models except 210)

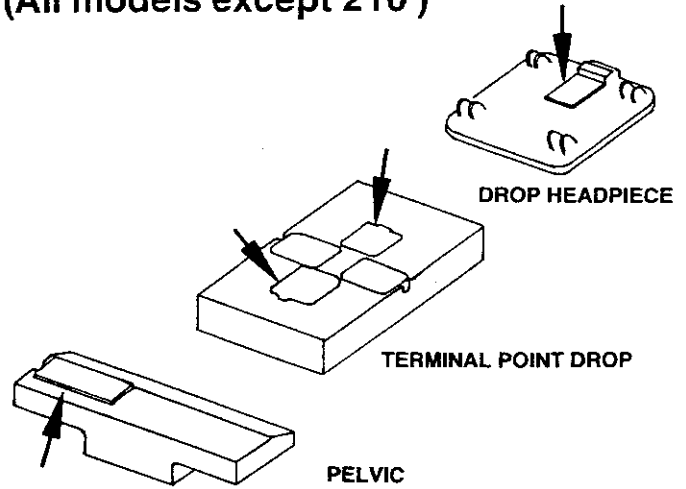


Figure G-4

Part	How to lubricate	How often
Drop mechanisms (Figure G-4)	Release tension by turning knob counterclockwise and remove cover. Remove and clean pusher block and spring and lubricate with moderate coat of "Lubriplate" NOTE: Do not turn pusher block as this will affect drop tension. Spray W-D 40 around stems, move up and down, and apply "3 in 1" oil.	Every 6 months

LUBRICATION - ALL MODELS EXCEPT 320 AND 440

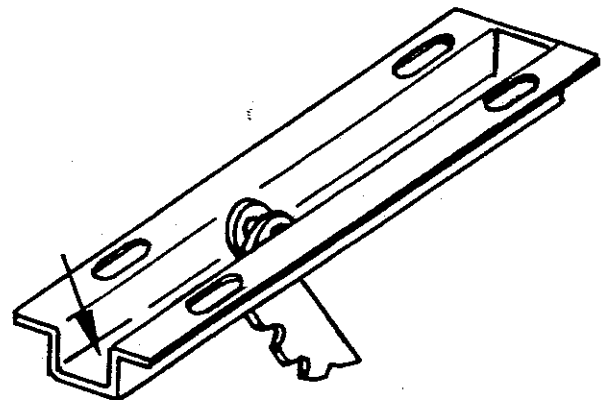


Figure G-5

Part	How to lubricate	How often
Swing-Down Abdominal Square Tube Track (Figure G-5)	Apply moderate coat of "Lubriplate" or equivalent.	Every 3 months

GENERAL MAINTENANCE

Task	Procedure	How often
Check oil level in Hydraulic Tank (#68 for VL)	With table in upright (Hylo) position, first unplug the Power Cord. Remove Oil Breather Cap. Oil level should be maintained 1/4 "1 1/2" from bottom of tank. Use a clean metal ruler or dipstick if so equipped. Obtain Phillips #62 oil from Authorized Zenith Dealer. CAUTION: Introducing contaminants or incorrect oil may severely damage hydraulic system. CAUTION: Overfilling will cause overflow when Manual Override is opened. If necessary to add oil every 3 months or to add more than 2 oz. at one time, contact authorized Zenith dealer.	Every 3 months

Replace height selector indicator lamp (VL only)	Remove selector pushbutton by rocking it from side to side while pulling it upward. With needlenose pliers, grasp lamp, push it sideways toward table, and lift it out. Insert new lamp. Press pushbutton into place over protruding fingers.	When lamp fails
--	---	-----------------

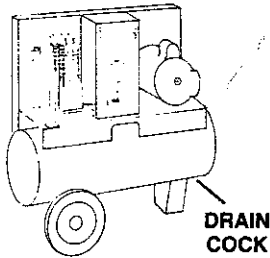


Figure G-6

Drain Air Compressor Tank - Model 440 only (Figures G-6 & G-7)

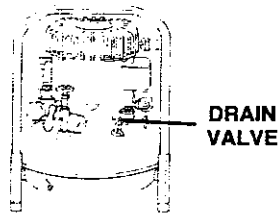
Piston Compressor: After first 1 to 4 days then whenever water starts to collect

Quiet Air Compressor: Firmly attach flexible tubing to Drain Valve and lead tubing into container, or hold deep narrow container at Spout of Drain Valve. Very carefully open Valve enough to let air pressure force water out of Tank.

NOTE: Drained water normally contains oil.

CAUTION:
FAILURE TO DRAIN TANK
COULD CAUSE DROP
MECHANISM TO MALFUNCTION
CAUSING POSSIBLE INJURY
TO YOUR PATIENTS.

Other air compressor maintenance Consult manufacturer's instructions.



QUIET AIR Compressor
Figure G-7

CLEANING

Item	How to clean	How often
Base	Wipe with dry cloth. Use mild, nonabrasive cleaner where necessary.	Weekly
Chrome parts	Wipe with dry cloth or use chrome cleaner.	Weekly
Finished leather or Naugahyde upholstery	Dust. Wipe with mild soap solution, then remove all soap with moist towel and rub with dry towel to restore normal gloss. CAUTION: Never use abrasive cleaner, ammonia or other alkaline cleaner, furniture polish, oil, or varnish, which will damage the finish.	Daily As needed
Front Section Carrier Rods	Wipe with dry cloth, or use spray cleaner when necessary.	Weekly
Aluminum plates	Use DuPont-type chrome cleaner, then wipe dry.	Monthly

OPERATION CHECK LIST Review every 3 months

ELECTRICAL

Are power cord, plug and outlet in good condition?

Is the power cord routed correctly and free from pinching or stretching?

MECHANICAL

Are all shrouds, covers and guards in place and free of damage?

Are all surfaces and components free of sharp edges, cracks, and other signs of damage?

Are all fasteners in place and adequately tightened?

Are all warning labels in place and legible?

Does the table operate smoothly, quietly, and without indications of binding or distortion?

Do limit switches and other control functions operate properly?

CAUTION

Failure to correct problems discovered by use of check list could result in injury to you or your patient.

Section H
**RESALE or
DISPOSAL**

Zenith

**WILLIAMS
MANUFACTURING**
158 N. Edison Avenue
Elgin, Illinois 60123
708/741-3650

 a Standex company

SECTION H. RESALE OR DISPOSAL

RECOMMENDED PROCEDURES FOR RESALE OR DISPOSAL OF TABLE

If table is resold make sure motor cover is in place and instruction manual is included. All warning decals must be in place and legible. Replacement manual and decals are available from Williams Mfg. at no charge.

If table is to be discarded tie tube assembly to base and cut power cord to insure table cannot be operated.